

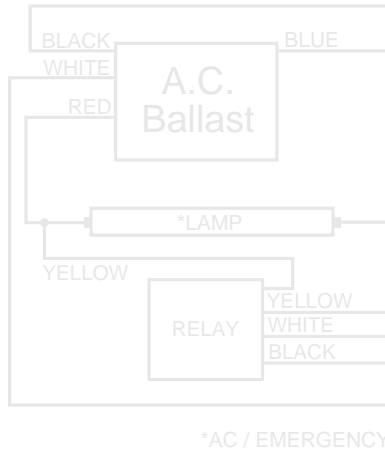
Thomas & Betts

**EMERGENCY BALLAST
WIRING GUIDE**

rev. 103103



HOW TO USE THE EMERGENCY BALLAST WIRING GUIDE



This Document has been customized to contain a wide library of individual diagrams for various installation applications. If a diagram cannot be found within this selection, consult Customer Service.

The diagrams are categorized primarily according to the number of lamps in the fixture, then followed by the ballast type. Sometimes a specific lamp type is listed (i.e: biax, circline, etc.). If a lamp type is not listed, the diagram shows a typical straight tube lamp configuration. In some cases, a specific ballast manufacturer is listed for AC ballasts that have unique wiring arrangements.

Diagrams for specific situations can be located within this PDF file by using the following methods:

1) USING THE NAVIGATION WINDOW

Use the Navigation window and select the Emergency Ballast for which the diagram is needed, then scroll through the list of applications to find the diagram(s) that meet the necessary criteria by clicking on the “plus” sign next to the Unit Model. (Many of the diagrams are bookmarked with identical descriptions. Examine the diagram for details as to whether or not it applies to your situation.)

NOTE: The order in which the pages are bookmarked is not indicative of the actual page order, therefore, continuing to the next page after a “Two Lamp Ballast” diagram may not necessarily take you to another “Two Lamp Ballast” diagram. To aid in locating specific diagrams, each has been bookmarked and categorized in the navigation window.

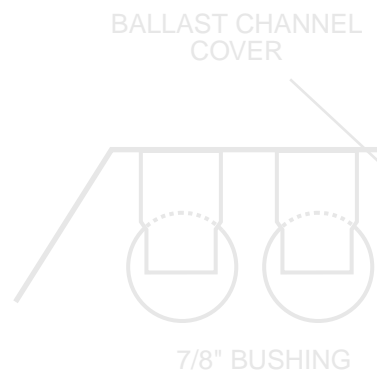
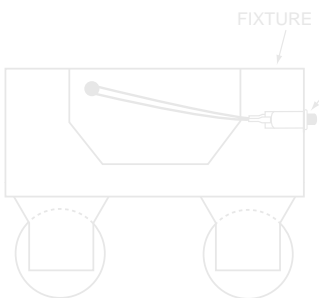
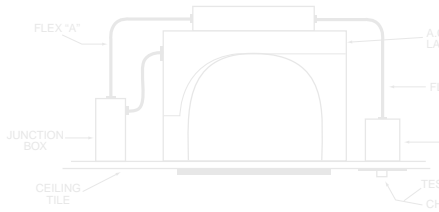
2) USING THE FIND COMMAND

Some diagrams feature a Model List for reference. If you know the actual model number of the AC ballast that the emergency unit is being wired to, you may use the “FIND” tool in the toolbar (Denoted by the binocular icon) to search the diagrams for that particular model. FIND commands may or may not be successful, since not all ballasts models are listed within this file.

When using the FIND command, it may be helpful to search for only the first few letters or numbers of the model number (i.e. “RCN” or “ECO”) due to the nature of how the reference lists are compiled. Include any hyphens or slashes that may appear in the model number when using the FIND command.

This Guide is by no means an exhaustive record of all AC Ballast/Emergency Unit combinations. If a search using the FIND command or Navigation window is not successful, contact Customer Service for further assistance.

You may request an updated Wiring Diagram Guide at anytime. Please consult Customer Service to find out if a later version with any additions and/or corrections is available.



THOMAS & BETTS EMERGENCY BALLAST DIRECTORY

LIGHTALARMS

AM6	C1-C16, C18-C53, C55-UP
AM6 (Series D)	QQ
AM7	Q
AM7 (Series D)	YY
AM12	Q
AM12 (Series D)	YY
AM18	A
AM20 (Series D)	J
AM20 (Series K)	J
AM23	W
AM23-DL	W
AM28	C1-C16, C18-C53, C55-UP
AM28 (Series D)	QQ
AM30	V
AM32	YY
AM540	QQ

UNIT CROSS-REFERENCE

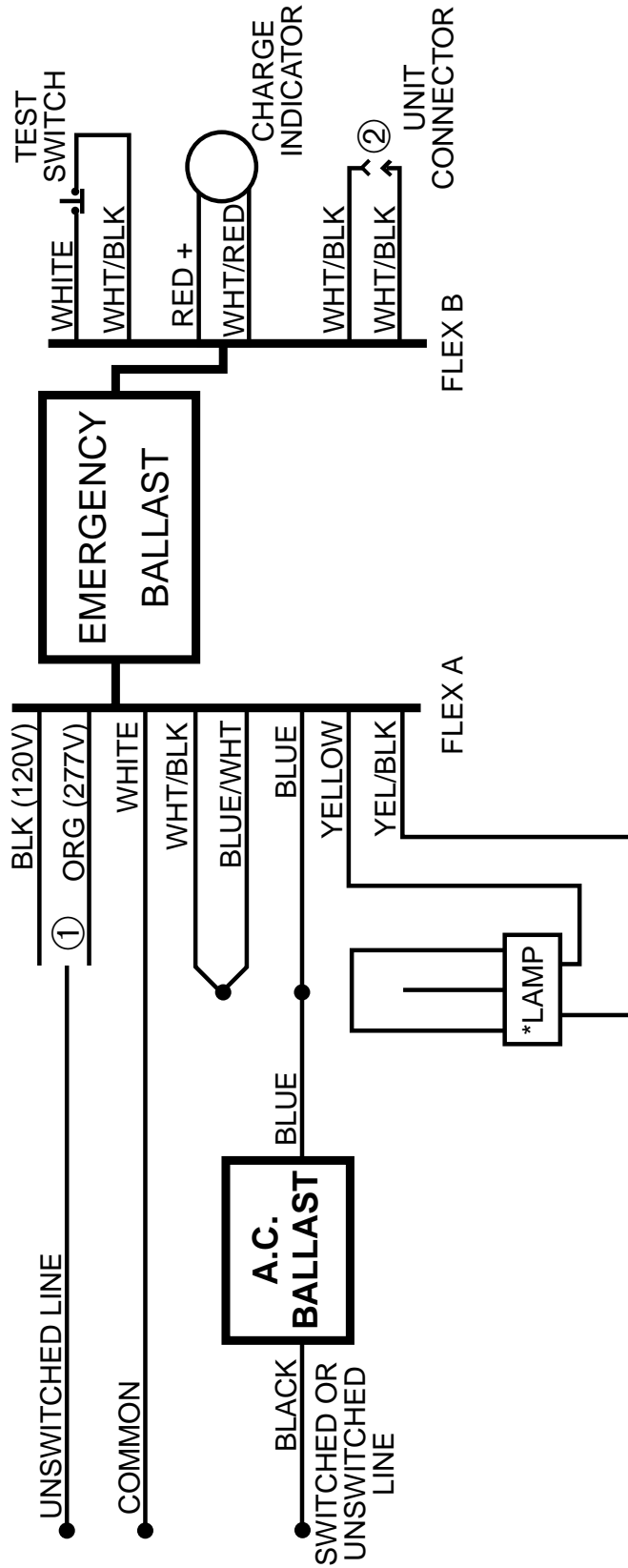
LIGHTALARMS

IOTA

AM6	_____	I-24
AM7	_____	I-48
AM10	_____	AM10
AM11	_____	I-13-EM-A
AM12	_____	I-80
AM15	_____	I-26-EM-A
AM20	_____	I-42-EM-A
AM23	_____	I-232
AM23-DL	_____	I-232-DL
AM28	_____	ISL-28
AM30	_____	I-160
AM32	_____	I-32
AM54	_____	ISL-54
AM-540	_____	ISL-540

1LMB

ONE LAMP MAGNETIC BALLAST



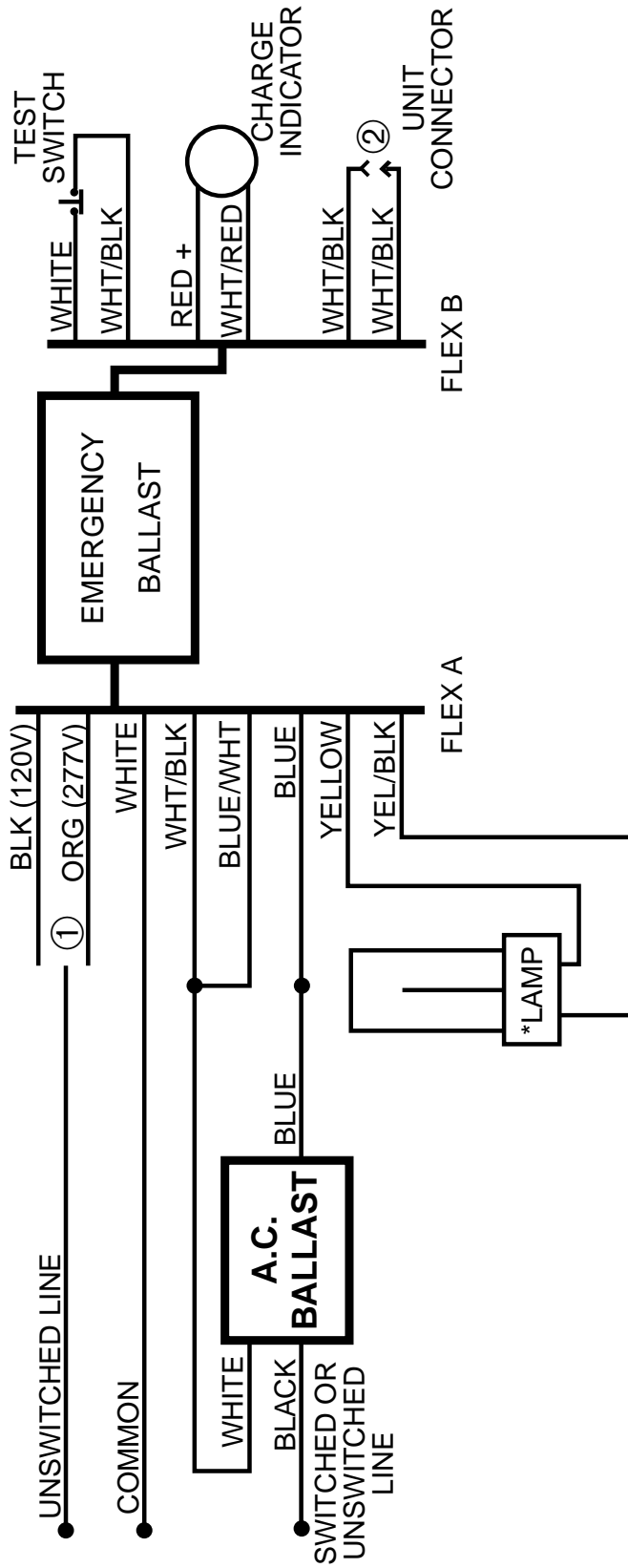
ADVANCE

- L/VL-1B9-TP
- VL-1Q18-TP
- VL-1Q26-TP

ALL COMPATIBLE BALLASTS MAY NOT BE LISTED.
 *DIMMING CONTROL WIRES ARE NOT AFFECTED BY EM PACK

1LHPFMB

ONE LAMP HIGH POWER FACTOR MAGNETIC BALLAST

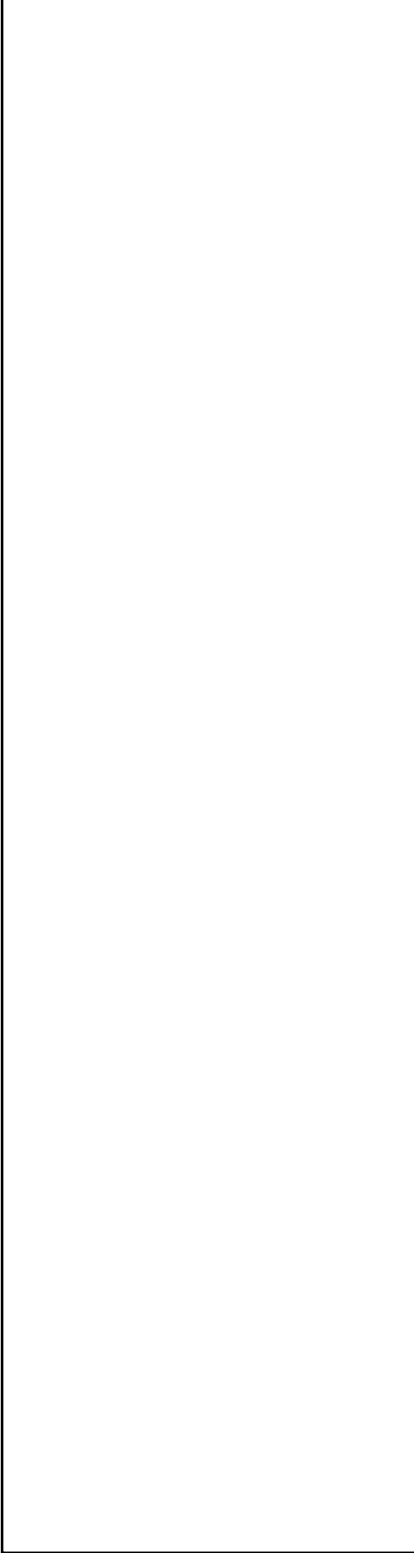
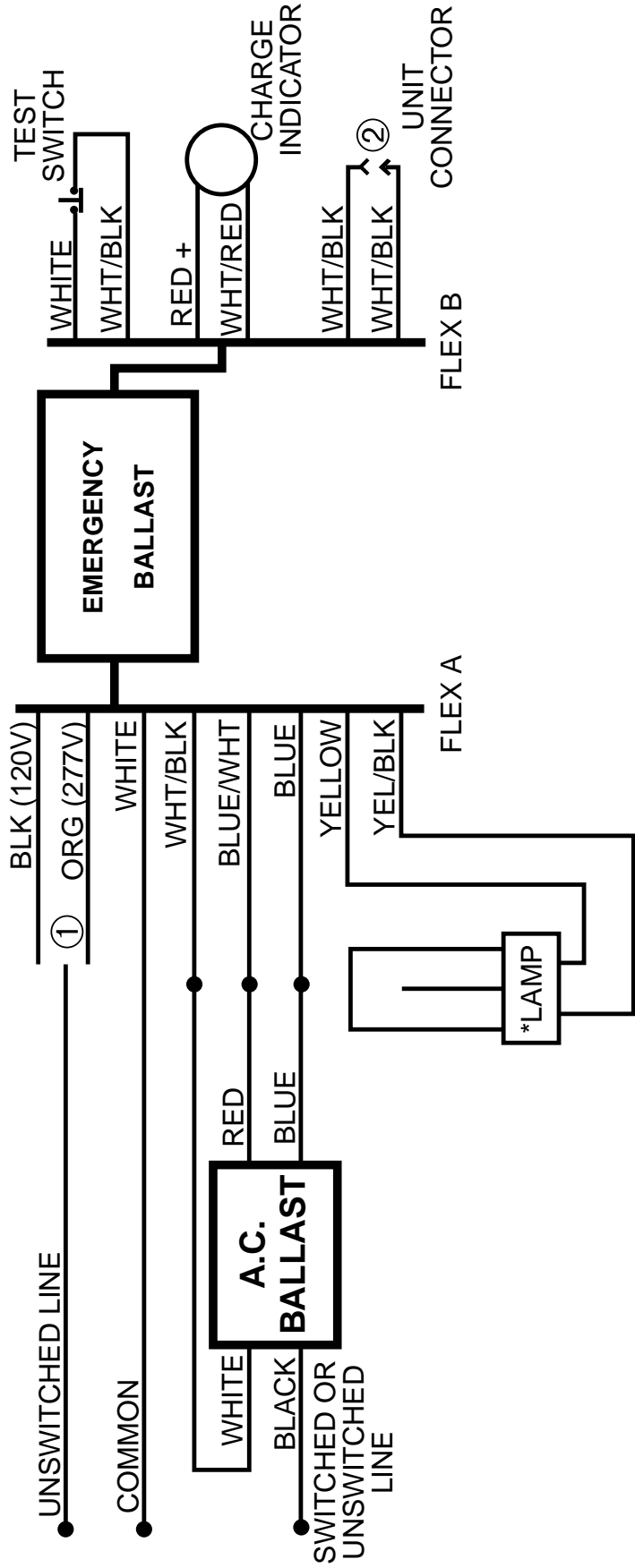


ADVANCE

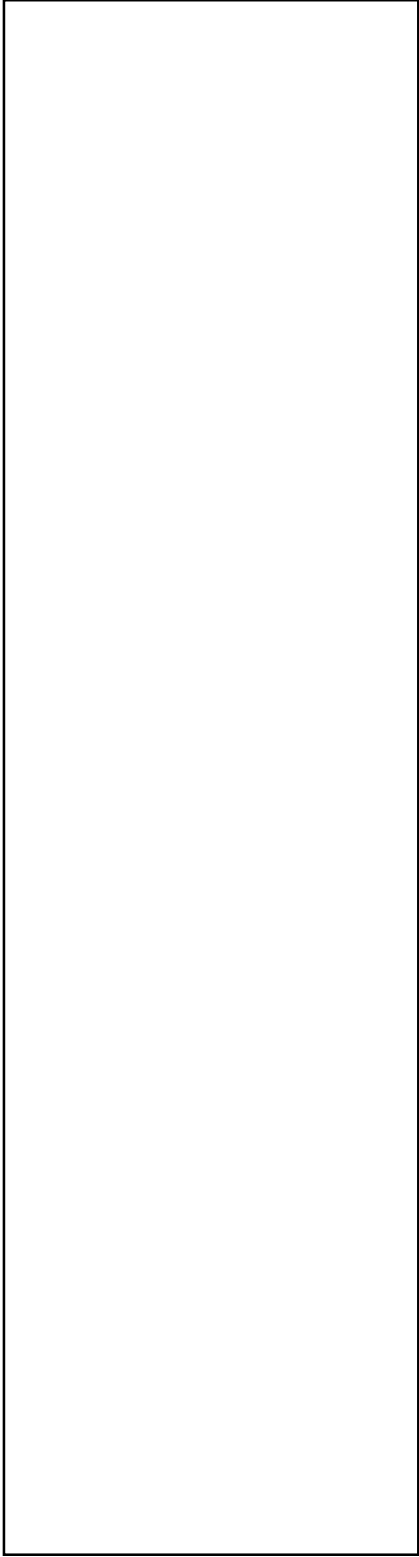
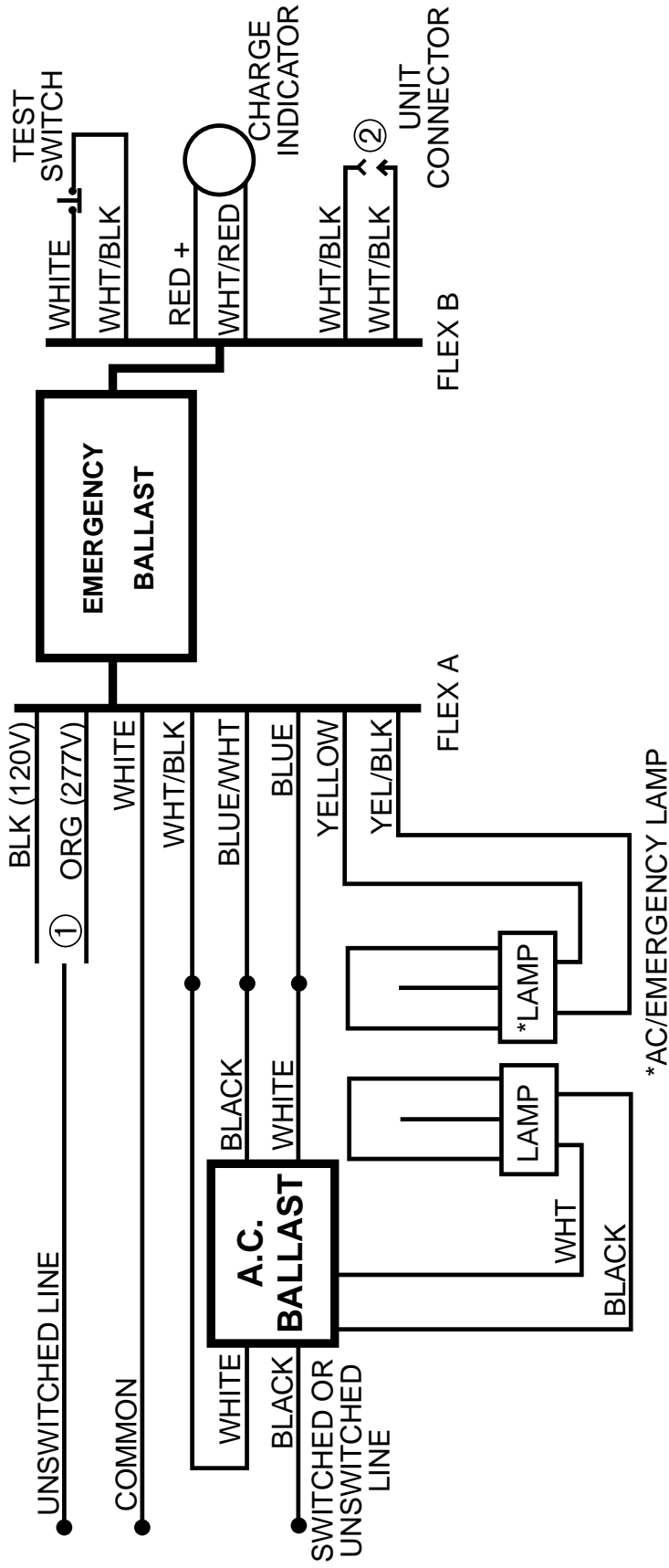
- H-1Q16-TP
- H-1Q22-TP
- H/L-1Q18-TP
- H/L-1Q26-TP
- H/VH-1B9-TP
- H/VH-1Q18-TP
- H/VH-1Q26-TP

ALL COMPATIBLE BALLASTS MAY NOT BE LISTED.
 *DIMMING CONTROL WIRES ARE NOT AFFECTED BY EM PACK

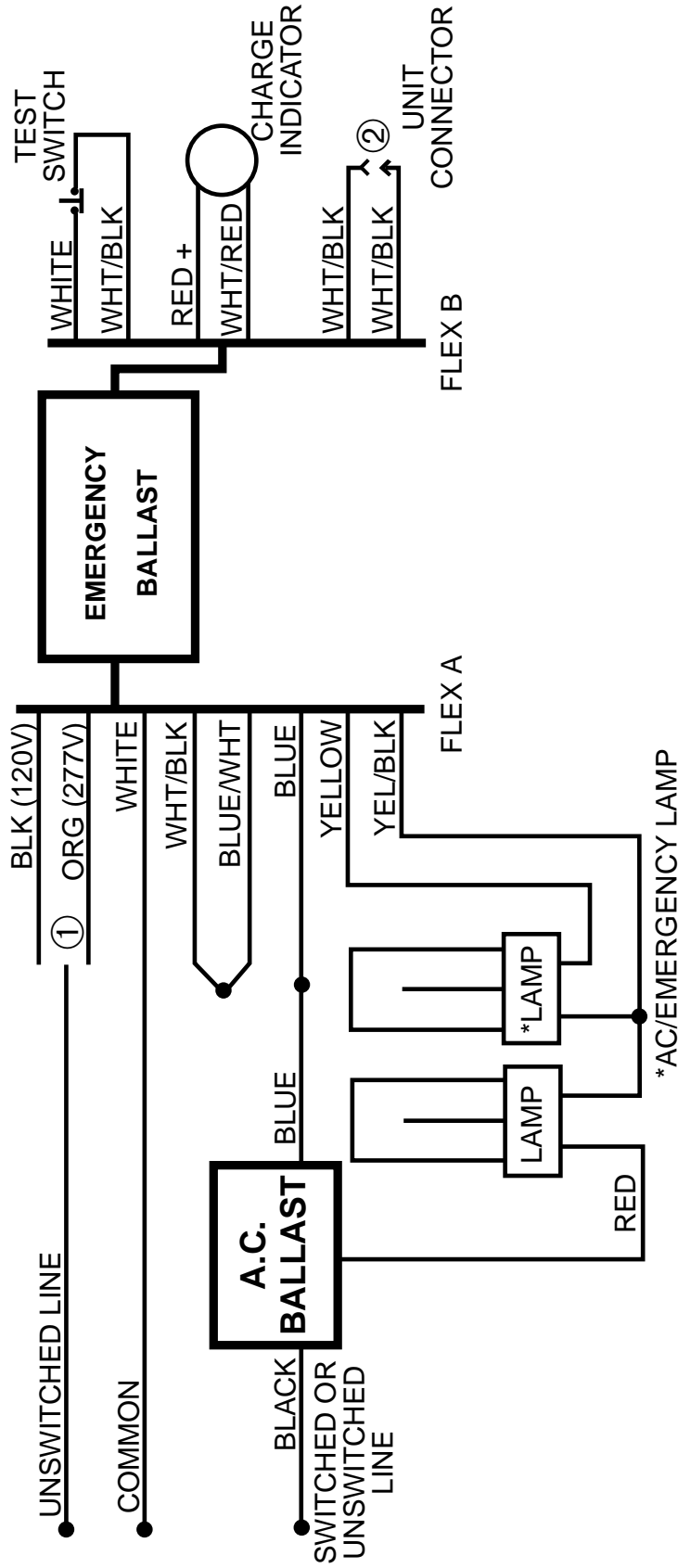
ONE LAMP ELECTRONIC BALLAST



TWO LAMP ELECTRONIC BALLAST



TWO LAMP PARALLEL MAGNETIC BALLAST

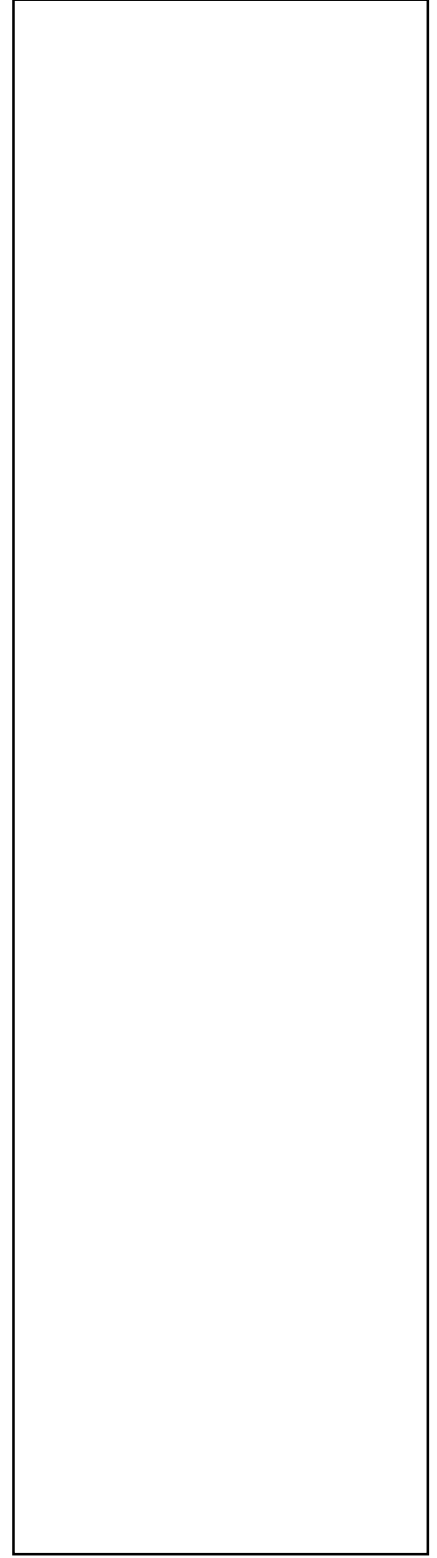
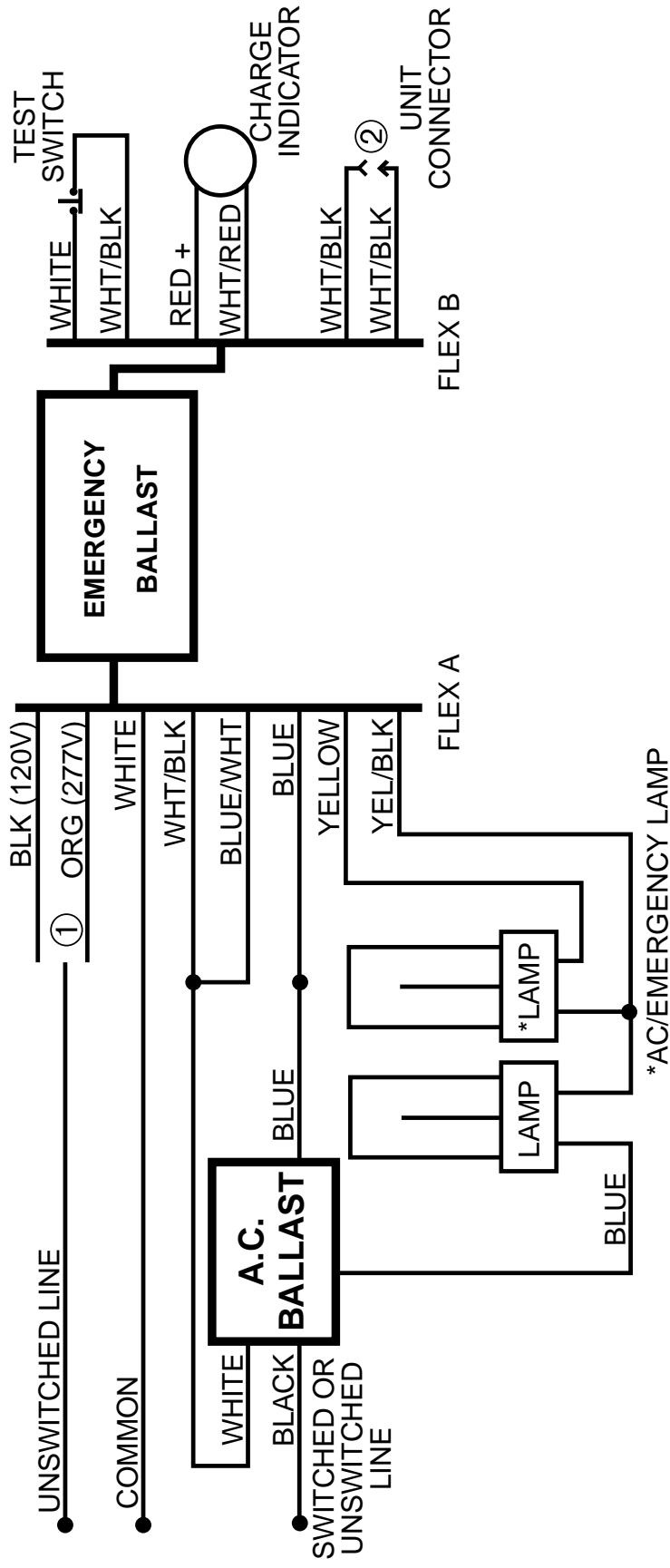


ADVANCE

- H-2B9-TP
- VH-2Q18-TP
- VH-2Q26-TP

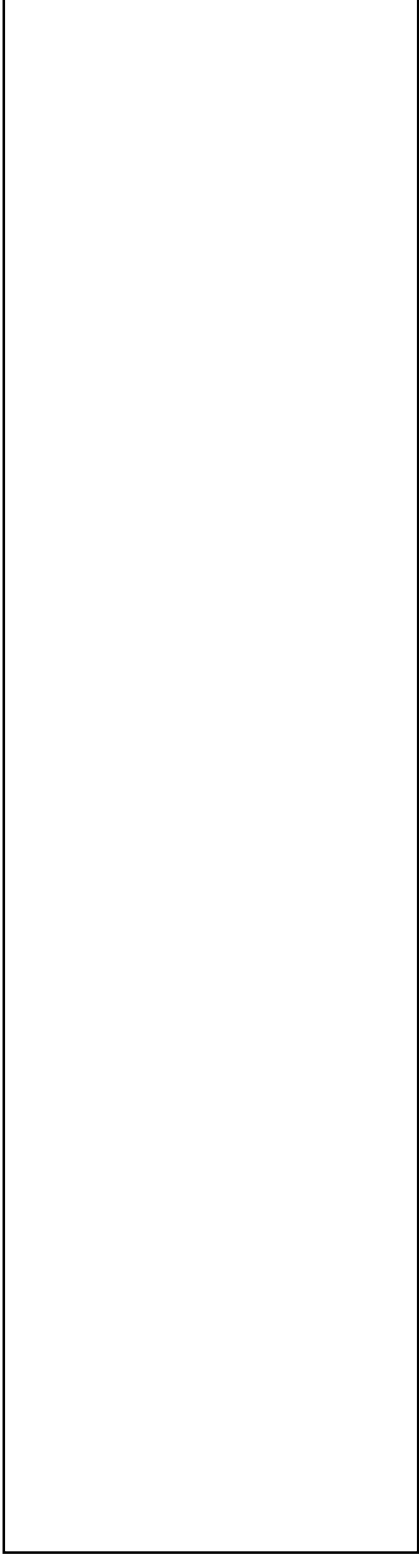
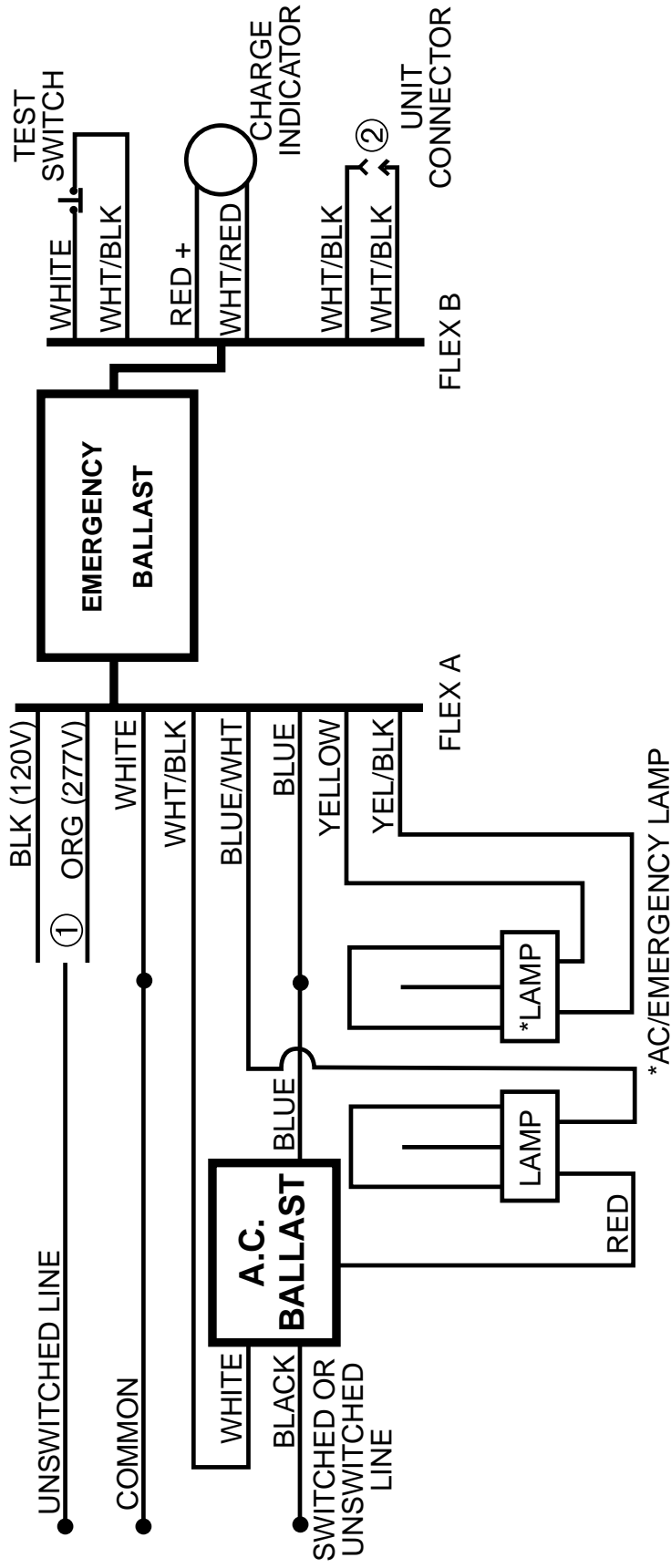
ALL COMPATIBLE BALLASTS MAY NOT BE LISTED.
 *DIMMING CONTROL WIRES ARE NOT AFFECTED BY EM PACK

TWO LAMP PARALLEL HIGH POWER FACTOR MAGNETIC BALLAST

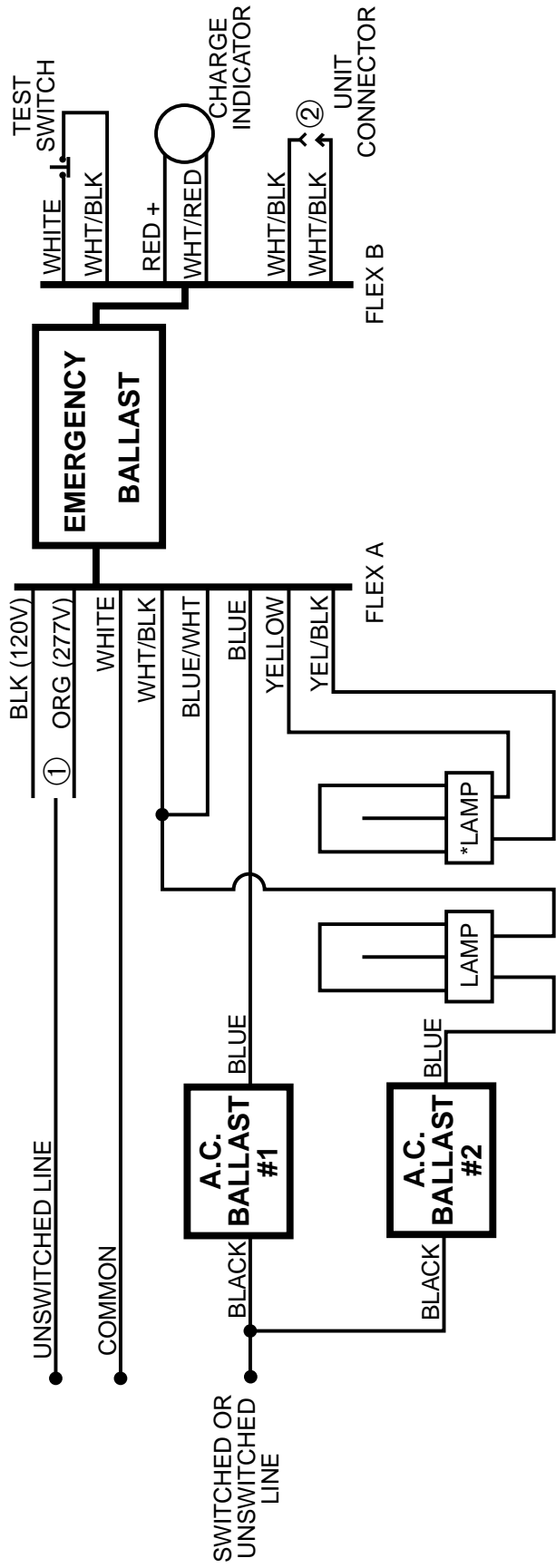


2LSHPFMB

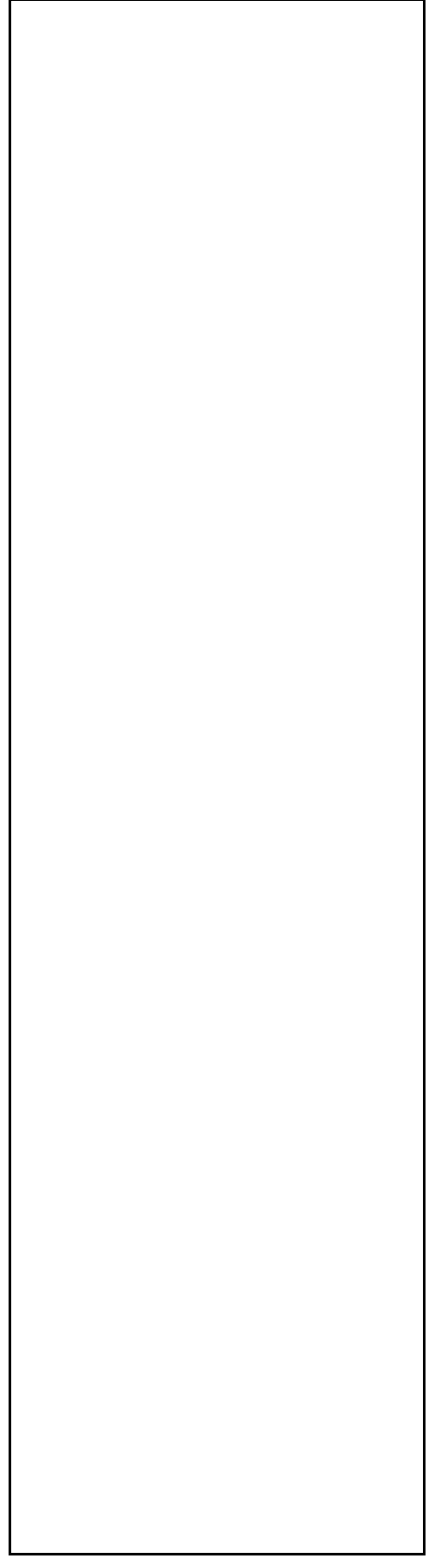
TWO LAMP SERIES HIGH POWER FACTOR MAGNETIC BALLAST



TWO NORMAL POWER FACTOR MAGNETIC BALLAST

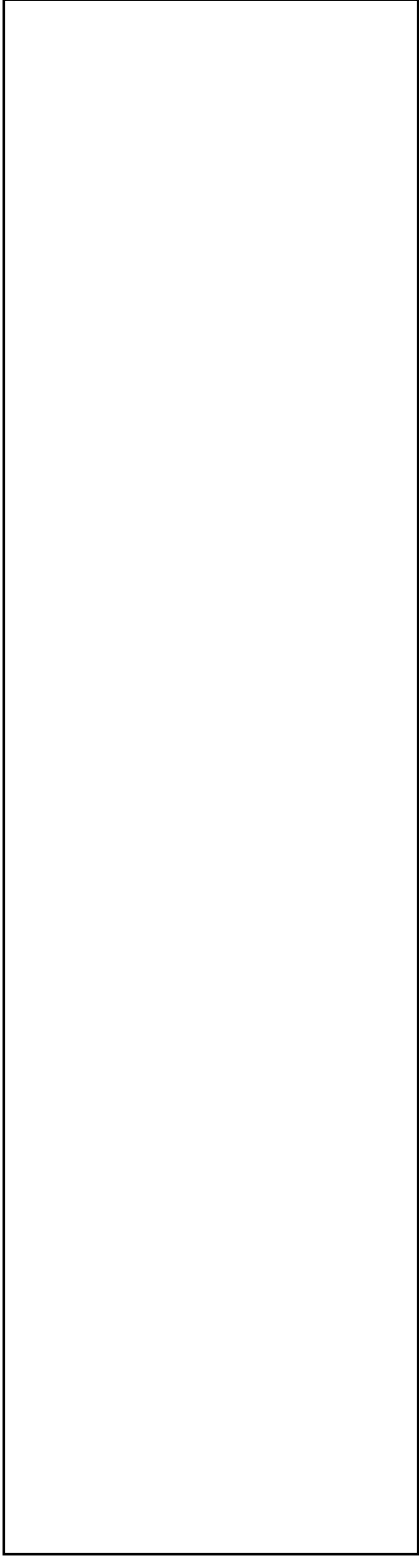
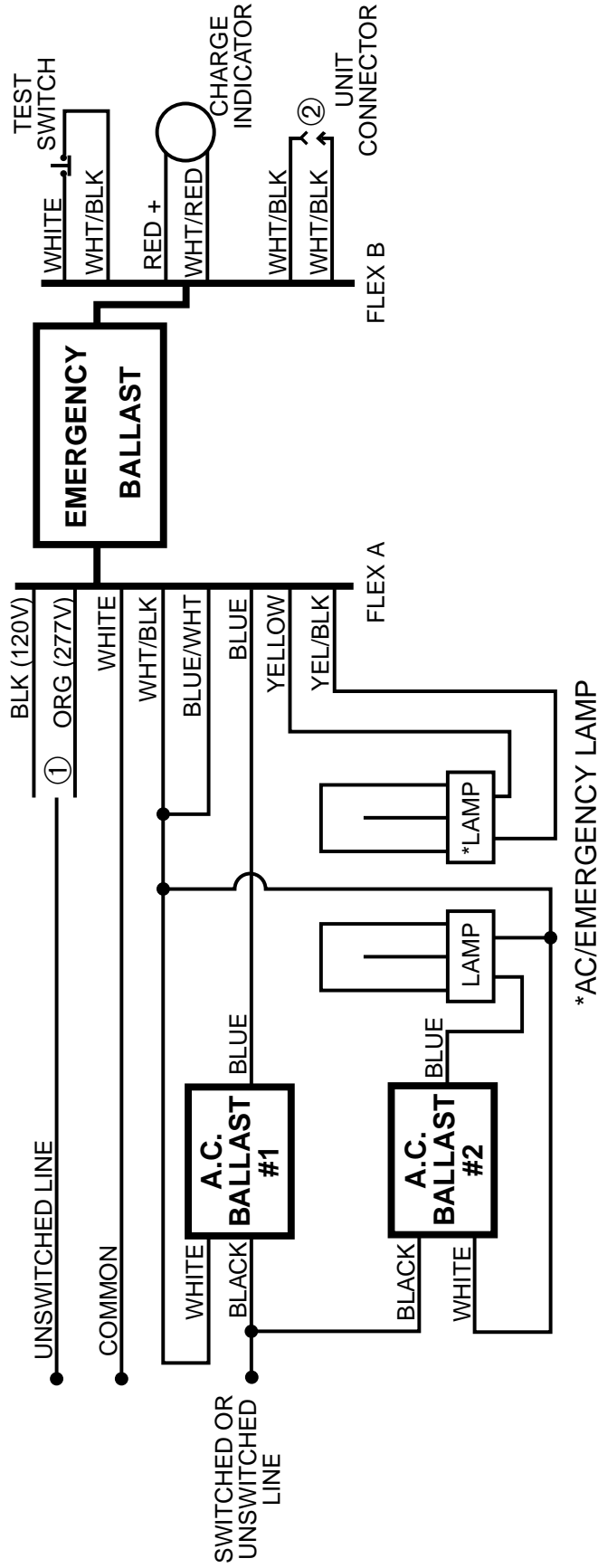


*AC/EMERGENCY LAMP

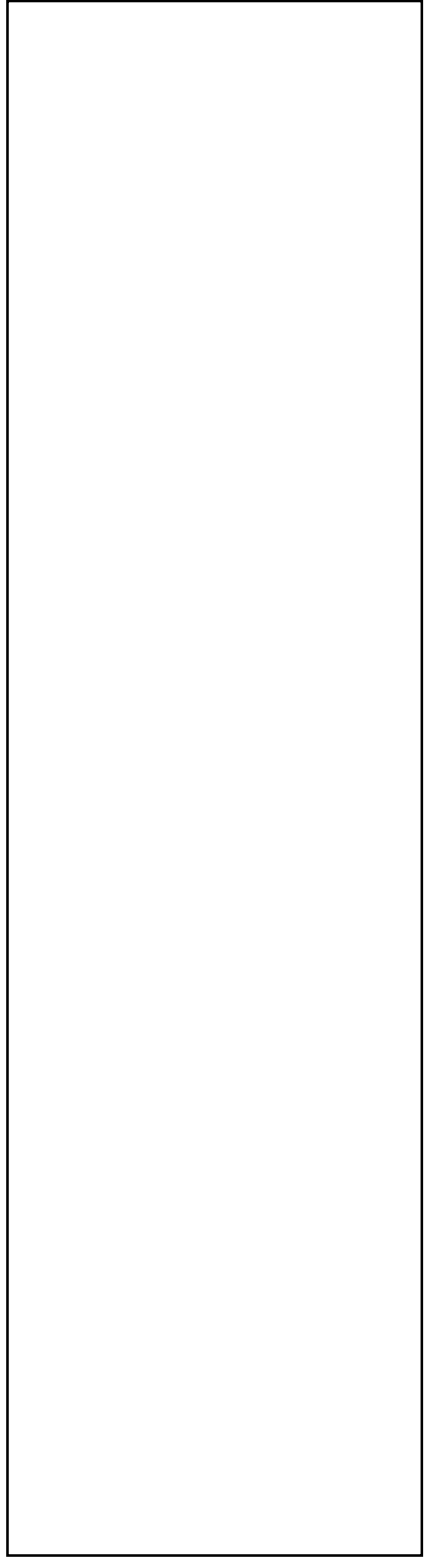
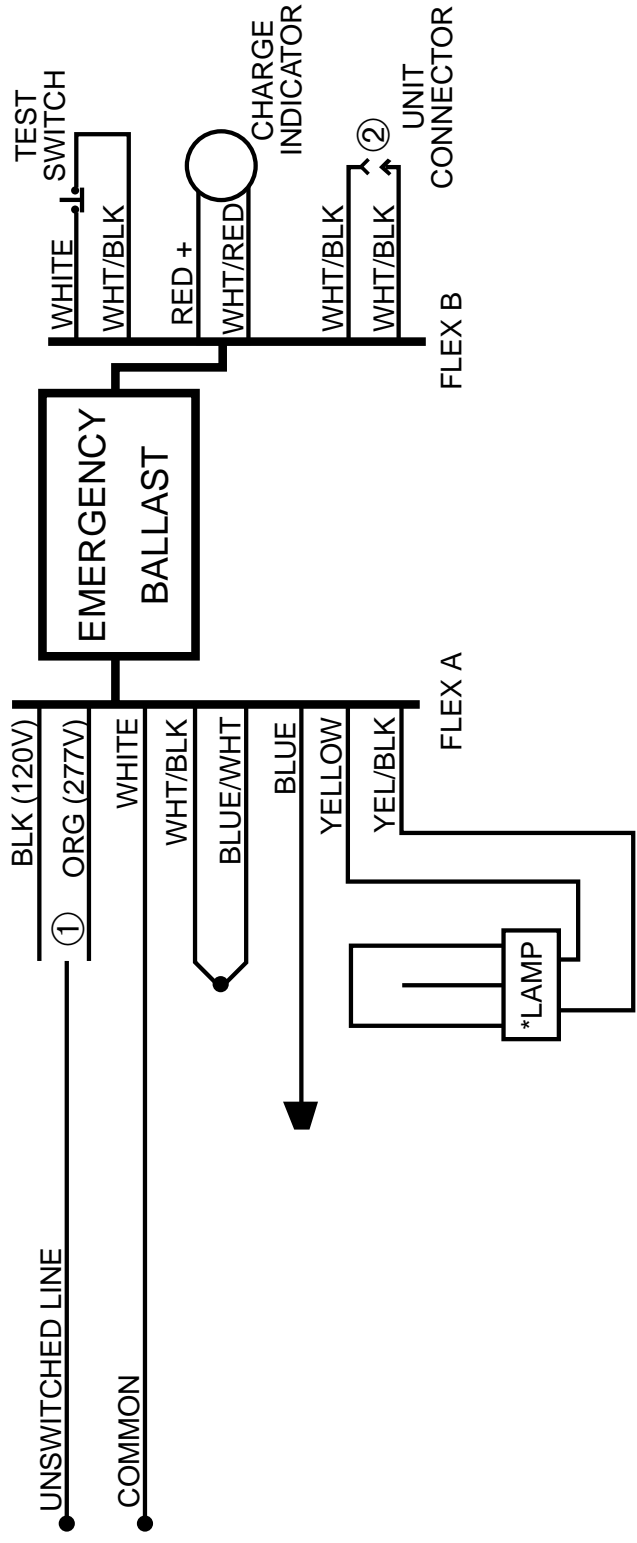


2HPFMB

TWO HIGH POWER FACTOR MAGNETIC BALLASTS

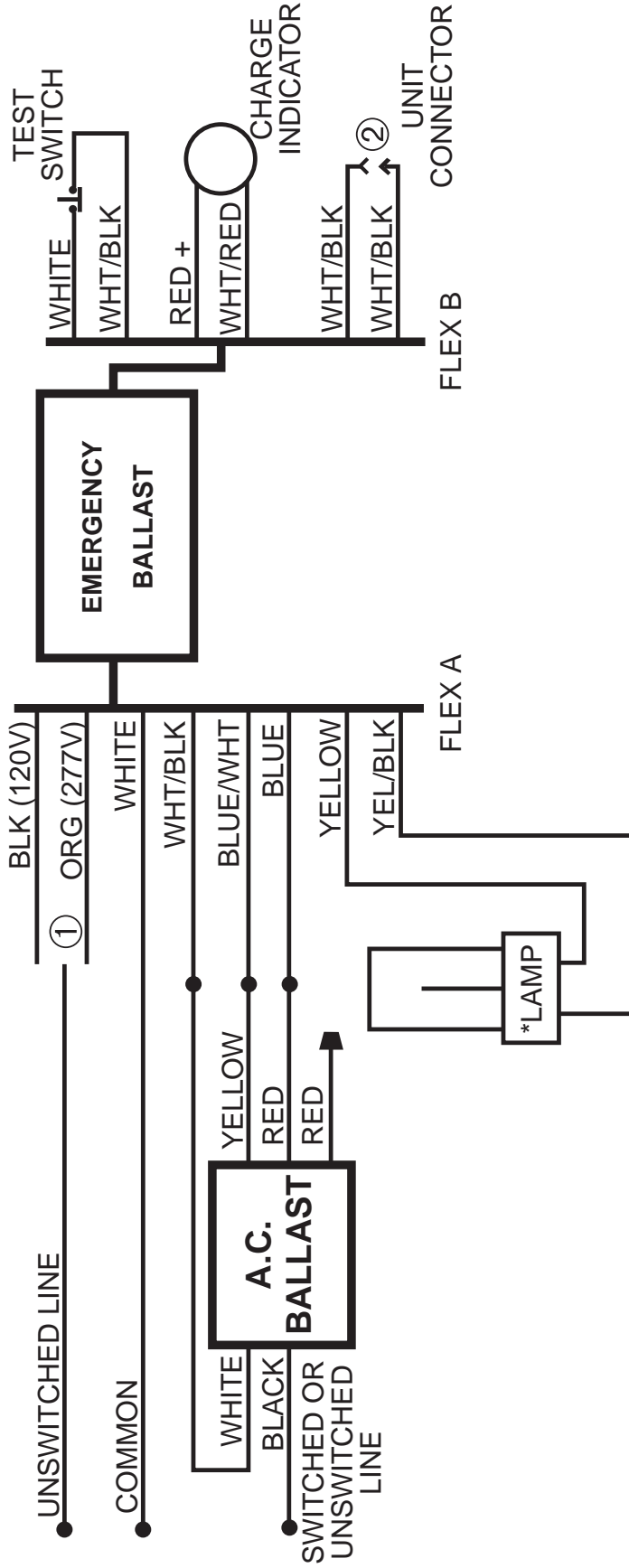


EMERGENCY OPERATION ONLY



1LFB

ONE LAMP FULLHAM BALLAST

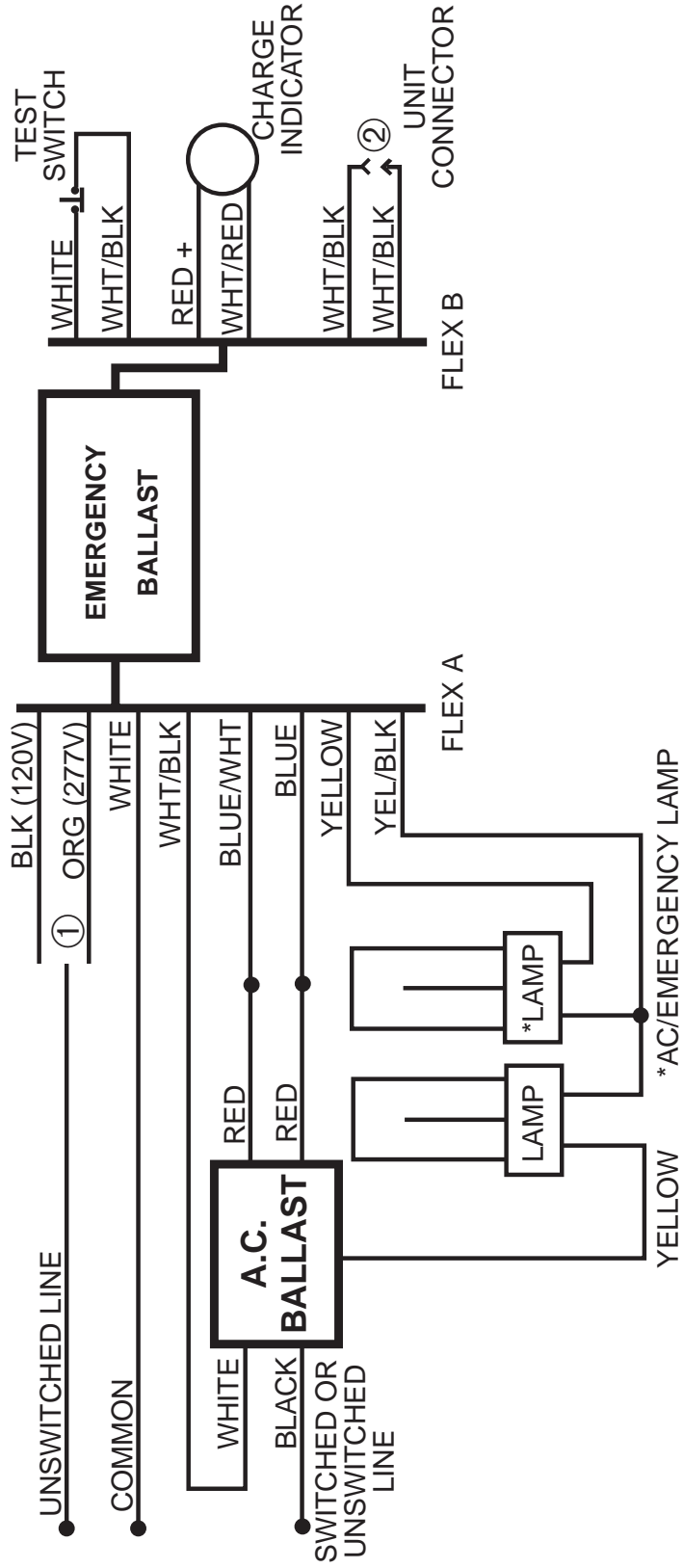


FULLHAM

WORKHORSE 2

2LFB

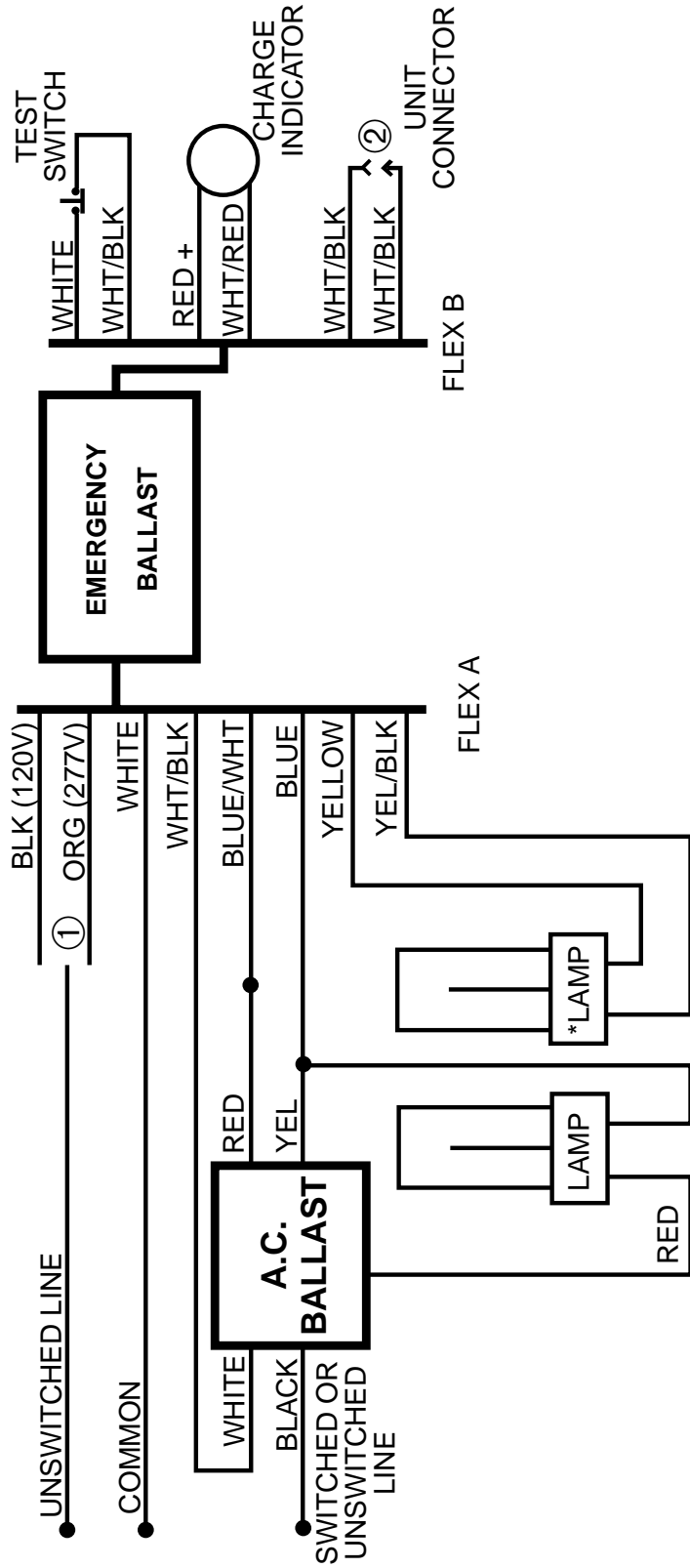
TWO LAMP FULLHAM BALLAST



FULLHAM
WORKHORSE 2

2LFB_2

TWO LAMP FULLHAM BALLAST

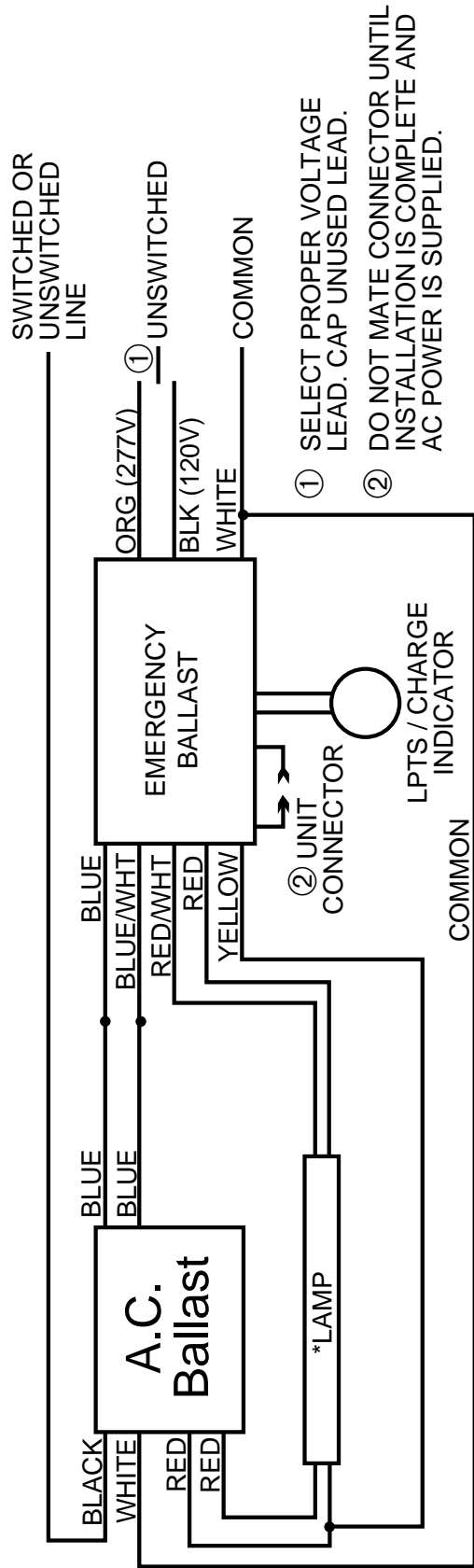


*AC/EMERGENCY LAMP

FULLHAM

WORKHORSE 3

ONE LAMP RAPID START BALLAST



ADVANCE

HM/VM-1P30-TP
 HM/VHM-1P20-TP
 LQ/VLQ-106F-TPP
 R/V-1P817-TP
 R/V-1P825-TP
 R/V-1P32-TP
 R/V-1P840-TP
 R/V-140-TP
 R/V-1U40P-TP
 RC/VC-160-TP
 RC/VC-1P40-TP
 RCN/VCN-1S32
 RCN/VCN-1S40
 REL/VEL-1S40-RH-TP
 RK/VK-132-TP
 RK/VK-134-TP
 RS/VS-160-TP
 REZ-132
 RIC/VIC-132-TP
 RIC/VIC-140-TP
 RZT/VZT-132*

EBT

ECG-120/277-1/40 SR
 SSB1-120/277-1/40 LH

GE

G1-RL-T8-1LL-120/277
 G1-RN-T8-10C-120/277
 G1-RN-T8-1LL-120/277
 G1-RN-T12-1LL-120/277

KINGTEC

132K120/277

LUTRON

ECO-T832-120/277-1*
 FDB-4827-120/277-1*

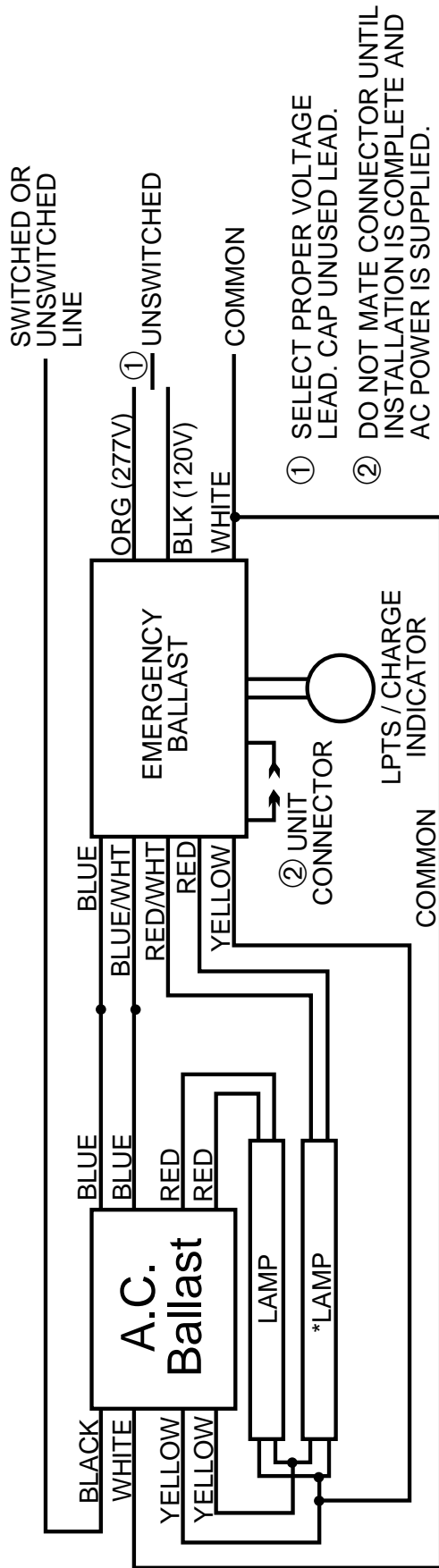
MOTOROLA

M1-RL-T8-1LL-A-120/277
 M1-RL-T8-050-D-120
 M1-RN-T12-1LL-B-120/277
 M1-RN-T8-10C-B-120/277
 M1-RN-T8-1LL-D-120/277
 M1-RV-T8-001-B-120

ALL COMPATIBLE BALLASTS MAY NOT BE LISTED.
 *DIMMING CONTROL WIRES ARE NOT AFFECTED BY EM PACK

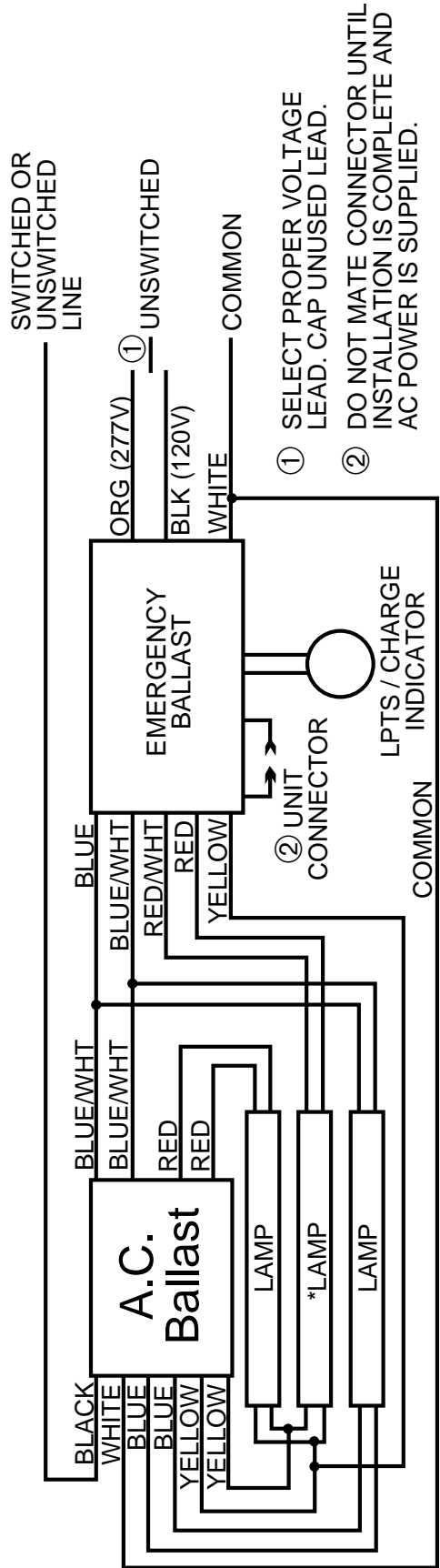
2LRSB

TWO LAMP RAPID START BALLAST



ADVANCE	
HM/VM-2SP20-TP	
LQ-206F-TP	
R/V-2P817-TP	
R/V-2P825-TP	
R/V-2P832-TP	
R/V-2P840-TP	
R/V-2S40-TP	
R/V-2SP30-TP	
RC/VC-2SP40-TP	
RC/VC-2S85-TP/FO/RO	
RC/VC-2S110-FO/RO	
RCN/VCN-2S32	
RCN/VCN-2S40	
RC-2SP830-TP	
REL/VEL-2S40-RH-TP	
RL-2SP20-TP	
RM-2S35-TP	
RM/VM-2SP30-TP	
RIC/VIC-2S32	
RIC/VIC-2S40-TP	
REZ/VEZ-2S32	
RK/VK-2S32-TP	
RK/VK-2S34-TP	
RK/VK-2S40-TP	
RK/VK-2S110-TP	
EBT	
ECG-120/277-2/32 SR	
ECG-120/277-2/40 SR	
SSB1-120/277-2/32 LH	
SSB1-120/277-2/40 LH /-(75%)/-(MPX)	
SSB7-120/277-2/32 LH	
GE	
G2-RH-T8-1LL-120/277	
G2-RL-T8-1LL-120/277	
G2-RN-T8-10C-120/277	
G2-RN-T8-1LL-120/277	
G2-RN-T12-1LL-120/277	
KINGTEC	
232K120/277	
232K120-75%	
232K2120	
240K120/277	
MAGNETEK	
GB 2X32/FL/RVHP	
LUTRON	
ECO-T832-120/277-2*	
FDB-4827-120/277-2*	
MAGNETEK	
B232 R277 HP	
MOTOROLA	
M2-RH-T8-1LL-B-120/277	
M2-RL-T8-1LL-A-120/277	
M2-RN-T12-1LL-B-120/277	
M2-RN-T8-10C-B-120/277	
M2-RN-T8-1LL-D-120/277	
ALL COMPATIBLE BALLASTS MAY NOT BE LISTED. *DIMMING CONTROL WIRES ARE NOT AFFECTED BY EM PACK	

THREE LAMP RAPID START BALLAST



ADVANCE

- R/V-3S34-TP
- RCN/VCN-3S32
- RCN/VCN-3S40
- REL/VEL-3S40-RH-TP
- RIC/VIC-3S32-TP
- RIC/VIC-3S40-TP
- RL-3SP20-TP
- RK/VK-3S34-TP
- RZT/VZT-3S32*
- REZ/VEZ-3S32*

EBT

- SSB1-120/277-3/32 LH
- SSB1-120/277-3/40 LH

GE

- G3-RL-T8-1LL-120/277
- G3-RN-T8-10C-120/277
- G3-RN-T8-1LL-120/277
- G3-RN-T12-1LL-120/277

LUTRON

- ECO-T832-120/277-3*
- FDB-4827-120/277-3*

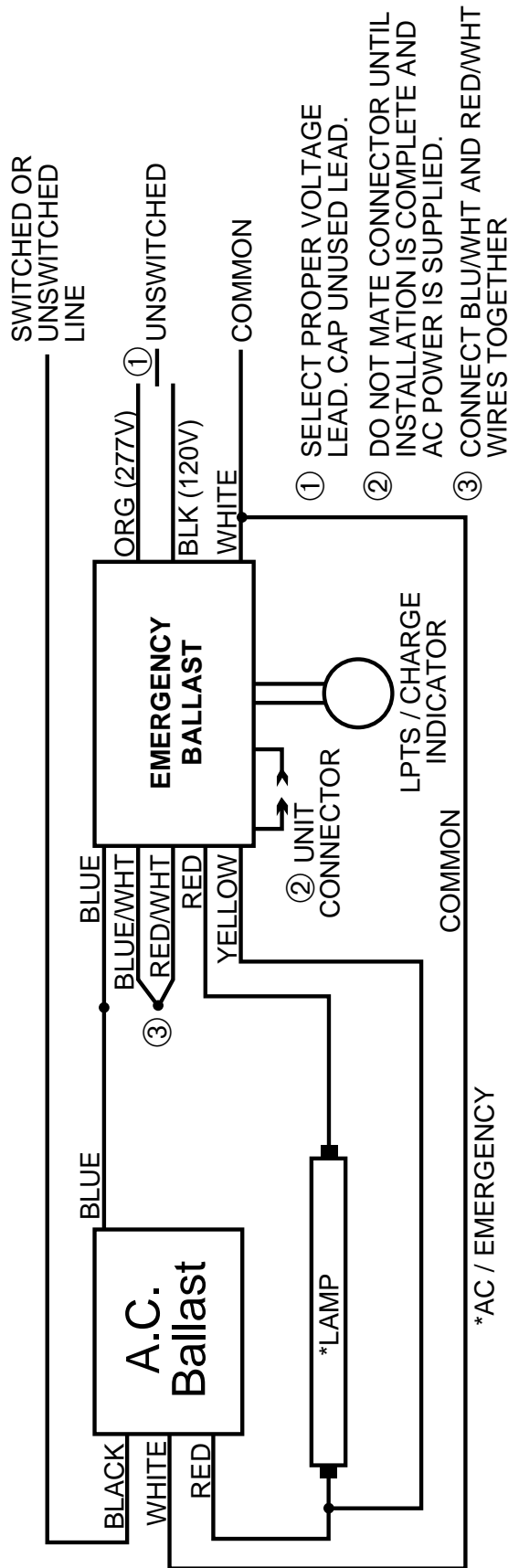
MOTOROLA

- M3-RL-T8-1LL-A-120/277
- M3-RN-T12-1LL-B-120/277
- M3-RN-T8-1LL-A-120/277

ALL COMPATIBLE BALLASTS MAY NOT BE LISTED.
 *DIMMING CONTROL WIRES ARE NOT AFFECTED BY EM PACK

1LISB

ONE LAMP INSTANT START BALLAST



ADVANCE

RCN/VCN-1P32
REL/VEL-1P32-RH-TP
REL/VEL-1P32-SC

EBT

ECG-120/277-1/32 PI
SSB2-120/277-1/32 IS LH

GE

G1-IN-T8-120/277

GOLDSTAR

GB 1x32/FL/I/120-277
GB 1x32/FL/I/120L-277L

HOWARD

E1/32IS-120/277
EC1/32IS-120/277
ECL1/32IS-120/277
EL1/32IS-120/277

KINGTEC

132K120-IS/277-IS

MAGNETEK

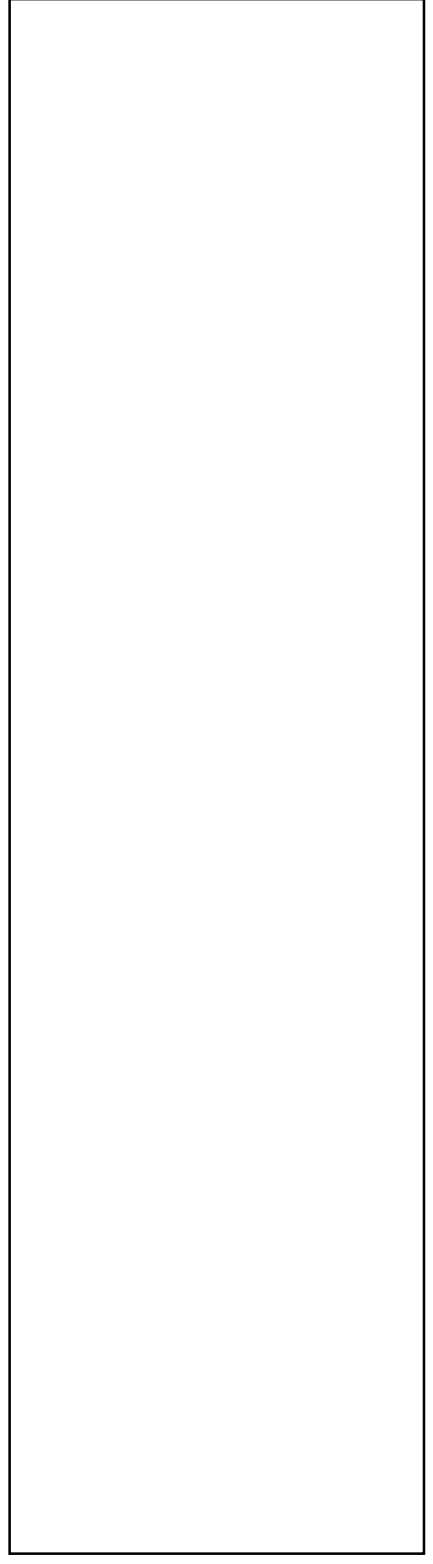
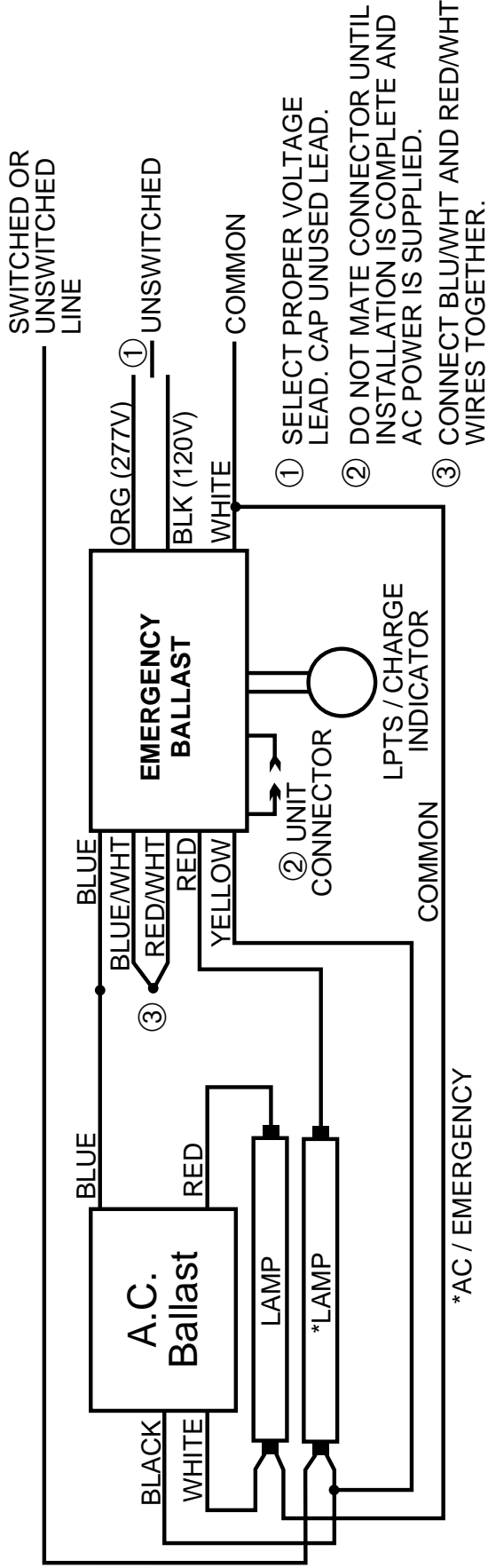
B1321120/277HP
B1321120/277RH

MOTOROLA

M1-IN-T8-1LL-D-120/277
M1-IN-T8-D-120/277
M1-IN-T8-GP-D-120/277

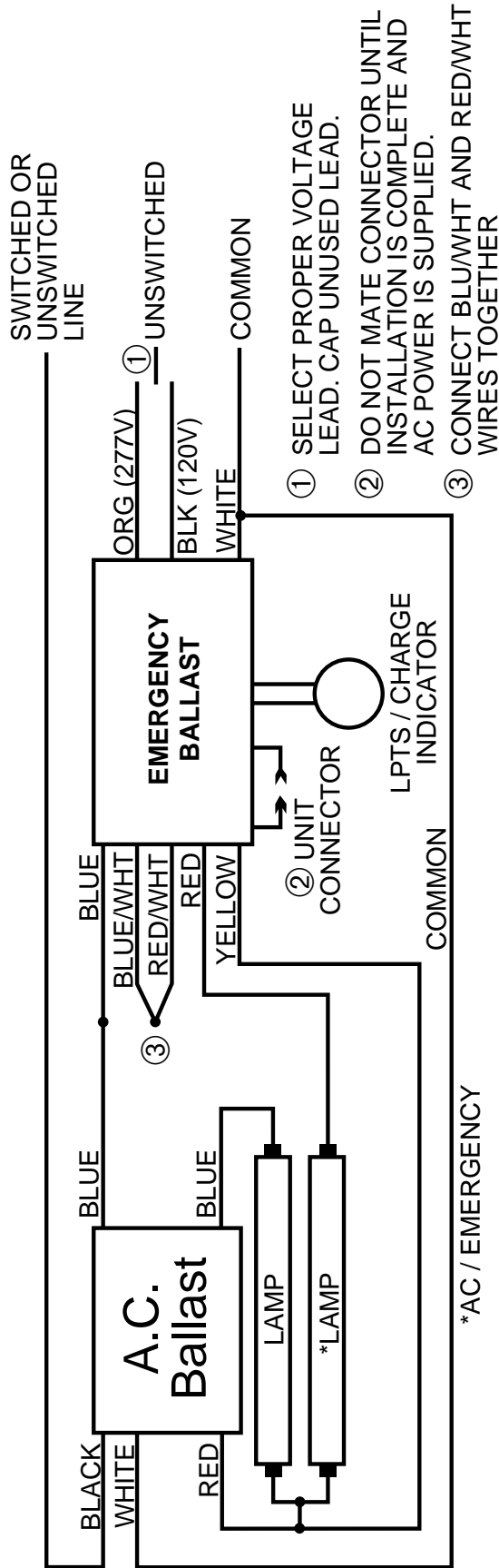
ALL COMPATIBLE BALLASTS MAY NOT BE LISTED.
*DIMMING CONTROL WIRES ARE NOT AFFECTED BY EM PACK

TWO LAMP INSTANT START BALLAST



2LISB2

TWO LAMP INSTANT START BALLAST



ADVANCE

RCN/VCN-2P32 /(-LW)
REL/VEL-2P17-RH-TP
REL/VEL-2P32-LW-RH-TP
REL/VEL-2P32-RH-TP
REL/VEL-2P32-SC

EBT

ECG-120/277-2/32 PI
SSB2-120/277-2/17 IS LH
SSB2-120/277-2/32 IS LH
SSB2-120/277-2/32 IS MPX LH

GE

G2-IN-T8-120/277

GOLDSTAR

GB 2x32/FL/I/120-277
GB 2x32/FL/I/120L-277L
GB 2x32/FL/I/120HBF-277HBF

HOWARD

E2/32IS-120/277
EC2/32IS-120/277

KINGTEC

232K120-IS/277-IS

MAGNETEK

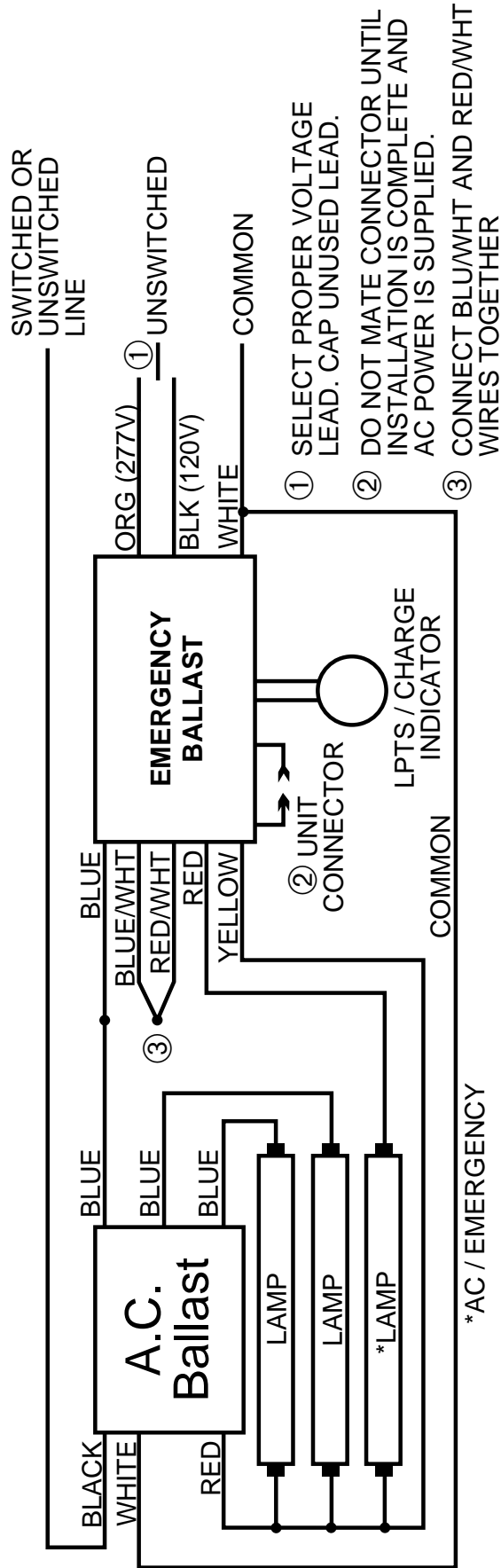
B2321120/277HP
B2321120/277RH

MOTOROLA

M2-IN-T8-D-120/277
M2-IN-T8-1LL-D-120/277
M2-IL-T8-GP-D-120/277
M2-IN-T8-GP-D-120/277

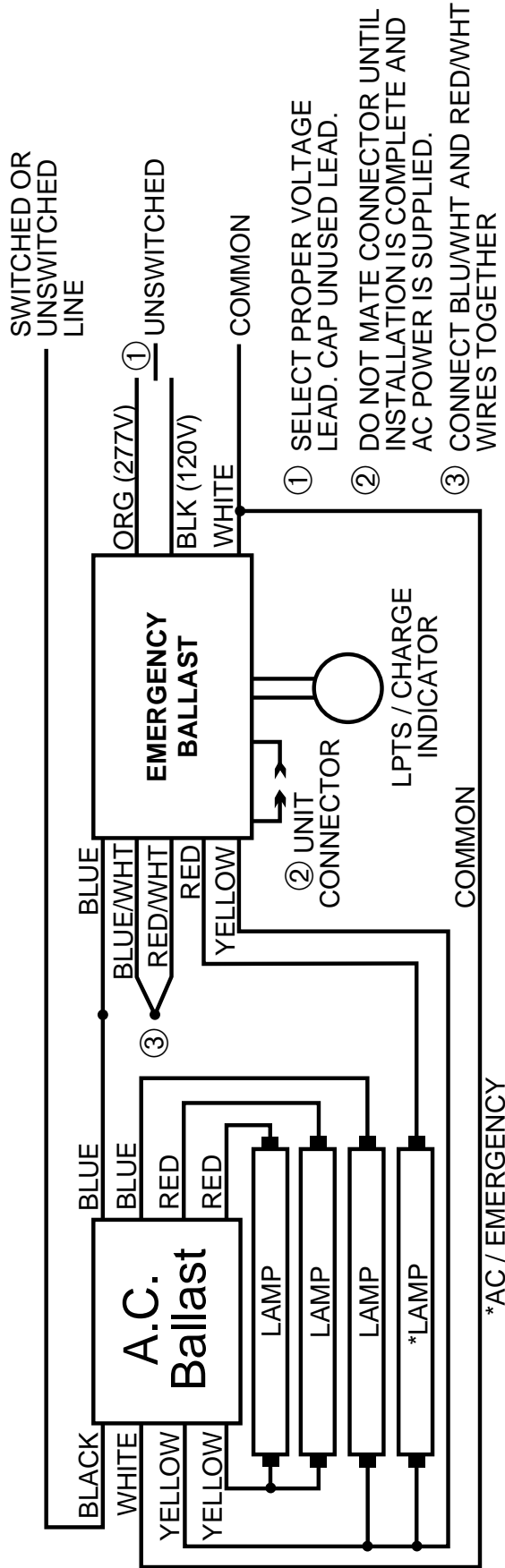
ALL COMPATIBLE BALLASTS MAY NOT BE LISTED.
*DIMMING CONTROL WIRES ARE NOT AFFECTED BY EM PACK

THREE LAMP INSTANT START BALLAST



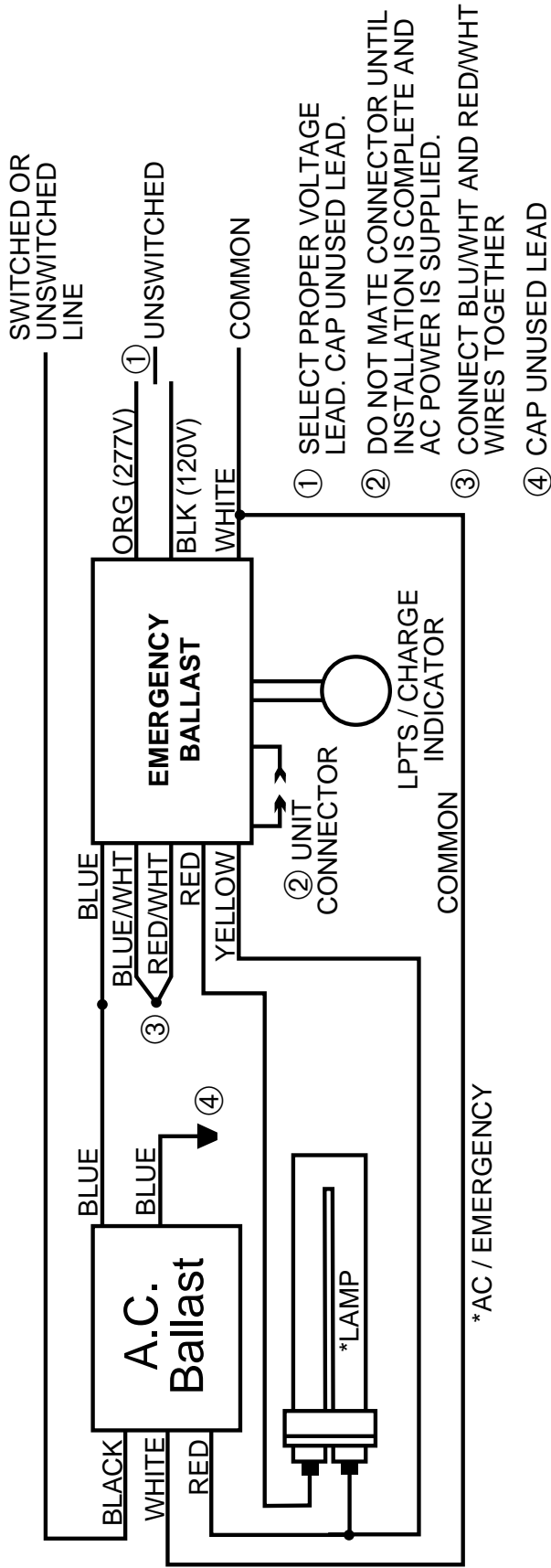
ADVANCE
RCN/VCN-3P32 REL/VEL 3P32-RH-TP REL/VEL 3P32-LW-RH-TP
EBT
SSB2-120/277-3/32 IS LH
GE
G3-IN-T8-120/277
GOLDSTAR
GB 3x32/FL/I/120-277 GB 3x32/FL/I/120L-277L
HOWARD
E3/32IS-120/277 EC3/32IS-120/277 ECL3/32IS-120/277 EL3/32IS-120/277
MAGNETEK
B332I120/277RH B332I120/277HP
MOTOROLA
M3-IL-T8-GP-A-120/277 M3-IN-T8-A-120/277 M3-IN-T8-D-120/277 M3-IN-T8-GP-A-120/277
ALL COMPATIBLE BALLASTS MAY NOT BE LISTED. *DIMMING CONTROL WIRES ARE NOT AFFECTED BY EM PACK

FOUR LAMP INSTANT START BALLAST



ADVANCE
RCN/VCN-4P32 REL/VEL-4P32-RH-TP REL/VEL-4P32-LW-RH-TP
EBT
SSB2-120/277-4/32 IS LH /-(75%)
GE
G4-IN-T8-120/277
GOLDSTAR
GB 4x32/FL/I/120-277 GB 4x32/FL/I/120L-277L
HOWARD
E4/32IS-120/277 EC4/32IS-20/277
KINGTEC
432K120-IS/277-IS 432K120-75%
MAGNETEK
B4321120/277HP B4321120/277RH
MOTOROLA
M4-IL-T8-GP-A-120/277 M4-IN-T8-A-120/277 M4-IN-T8-D-120/277 M4-IN-T8-GP-A-120/277
ALL COMPATIBLE BALLASTS MAY NOT BE LISTED. *DIMMING CONTROL WIRES ARE NOT AFFECTED BY EM PACK

ONE LAMP BIAx

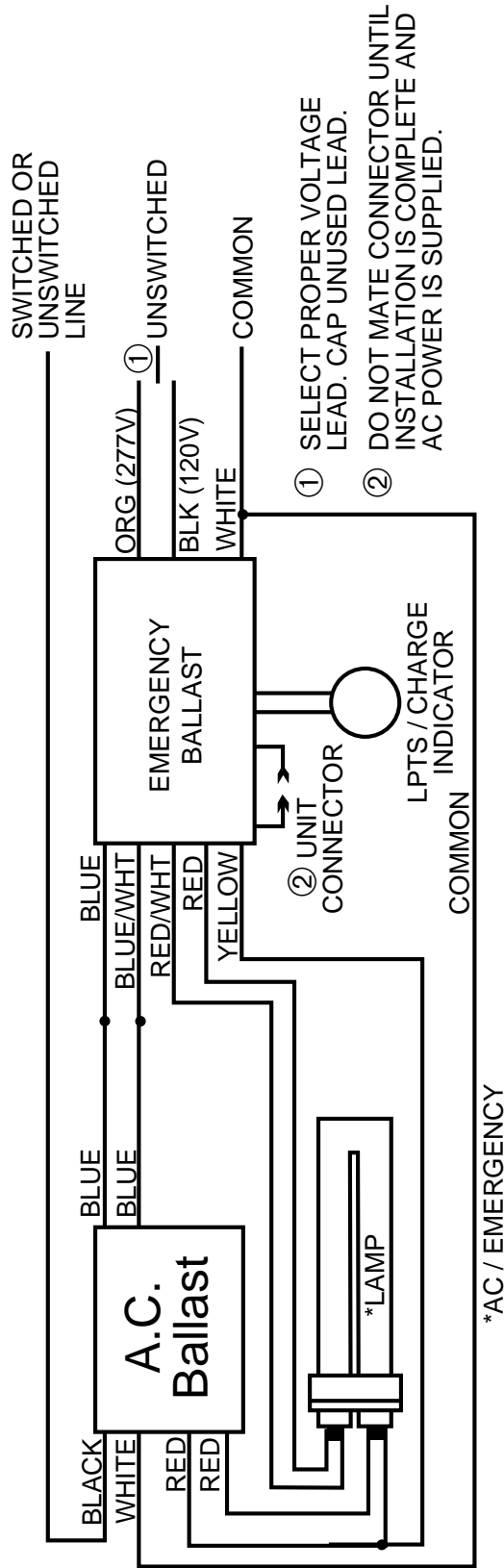


MAGNETEK
C2401120/277RH

ALL COMPATIBLE BALLASTS MAY NOT BE LISTED.
*DIMMING CONTROL WIRES ARE NOT AFFECTED BY EM PACK

1BXLRSB

ONE BIAX LAMP RAPID START BALLAST



ADVANCE

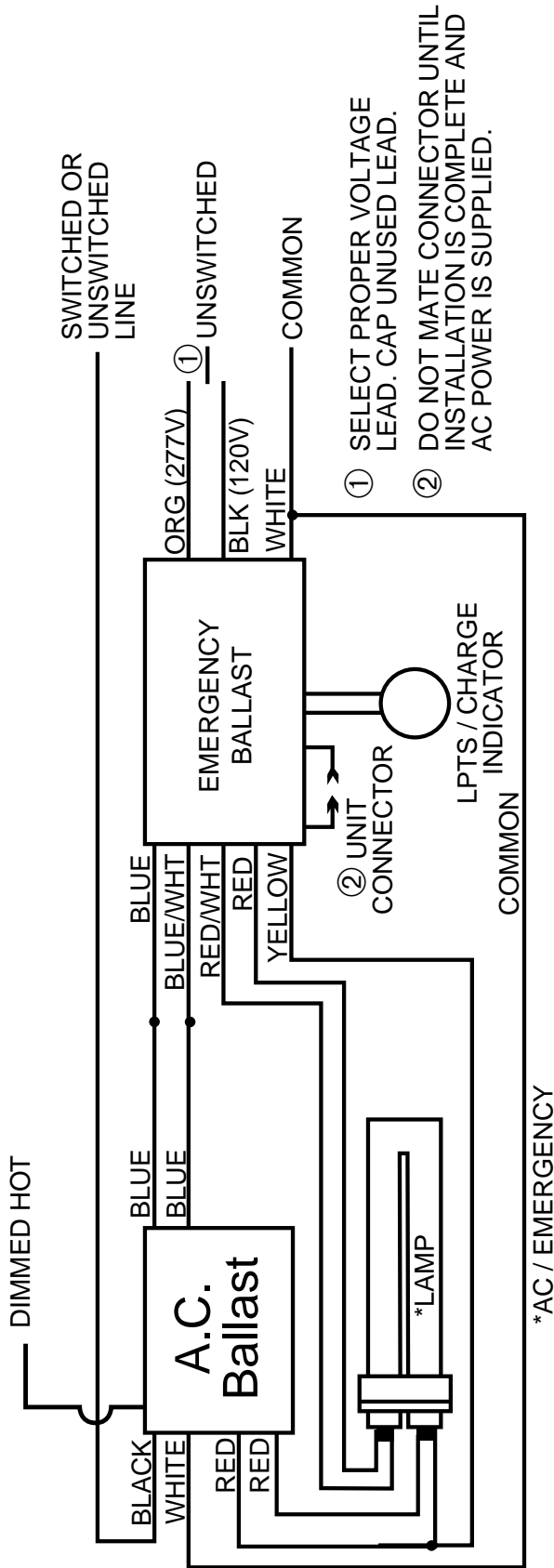
R/V-1BP27-TP
 R/V-1BP39-TP
 R/V-1BP40-TP

MOTOROLA

M1-RL-T8-1LL-A-120/277
 M1-RL-T8-050-D-120
 M1-RN-T12-1LL-B-120/277
 M1-RN-T8-10C-B-120/277
 M1-RV-T8-001-B-120

ALL COMPATIBLE BALLASTS MAY NOT BE LISTED.
 *DIMMING CONTROL WIRES ARE NOT AFFECTED BY EM PACK

ONE BIAx LAMP RAPID START BALLAST

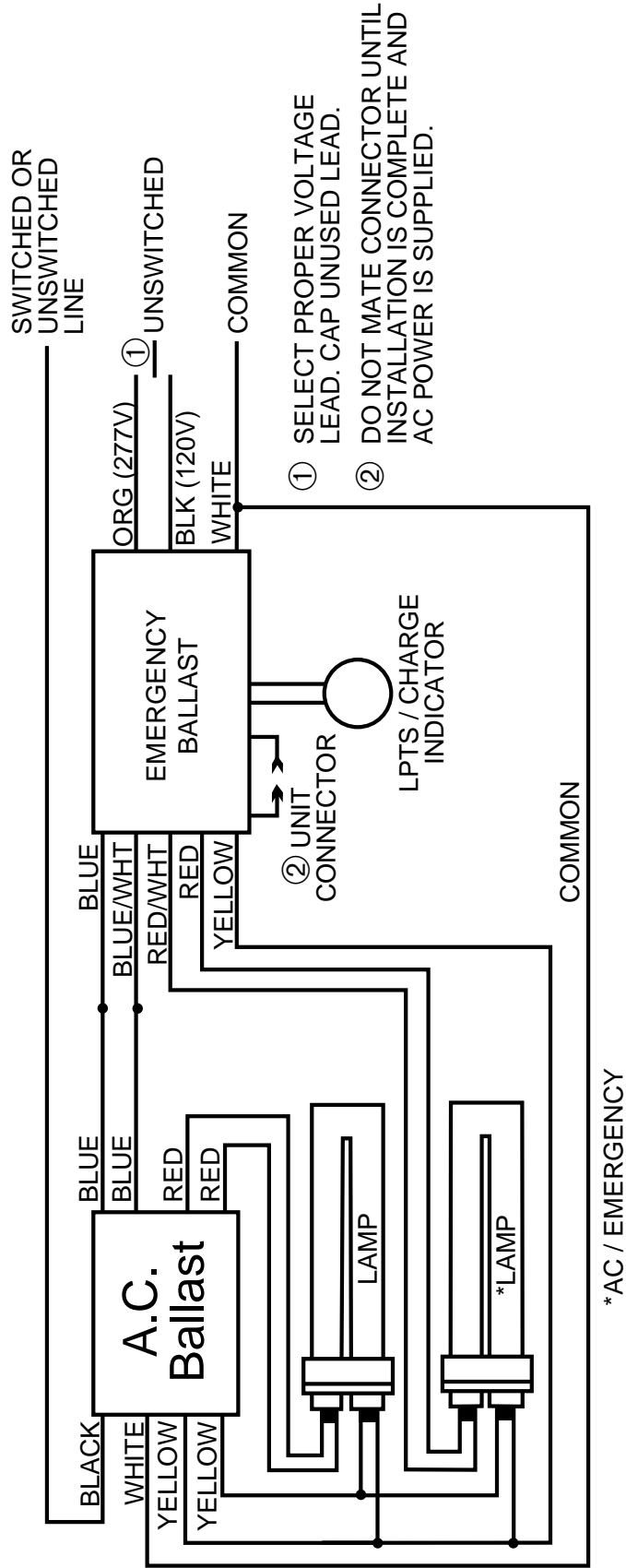


LUTRON

ECO-T540-120/277-1

ALL COMPATIBLE BALLASTS MAY NOT BE LISTED.
*DIMMING CONTROL WIRES ARE NOT AFFECTED BY EM PACK

TWO BIAX LAMP RAPID START BALLAST



ADVANCE

R/V-2BS27-TP
R/V-2BS39-TP
R/V-2BS40-TP

EBT

SSB1-120/277-2/39 TT LH
SSB1-120/277-2/40 TT LH /-(75%)

GE

G2-RN-T5/40-ILL-120/277

LUTRON

ECO-T540-120/277-2

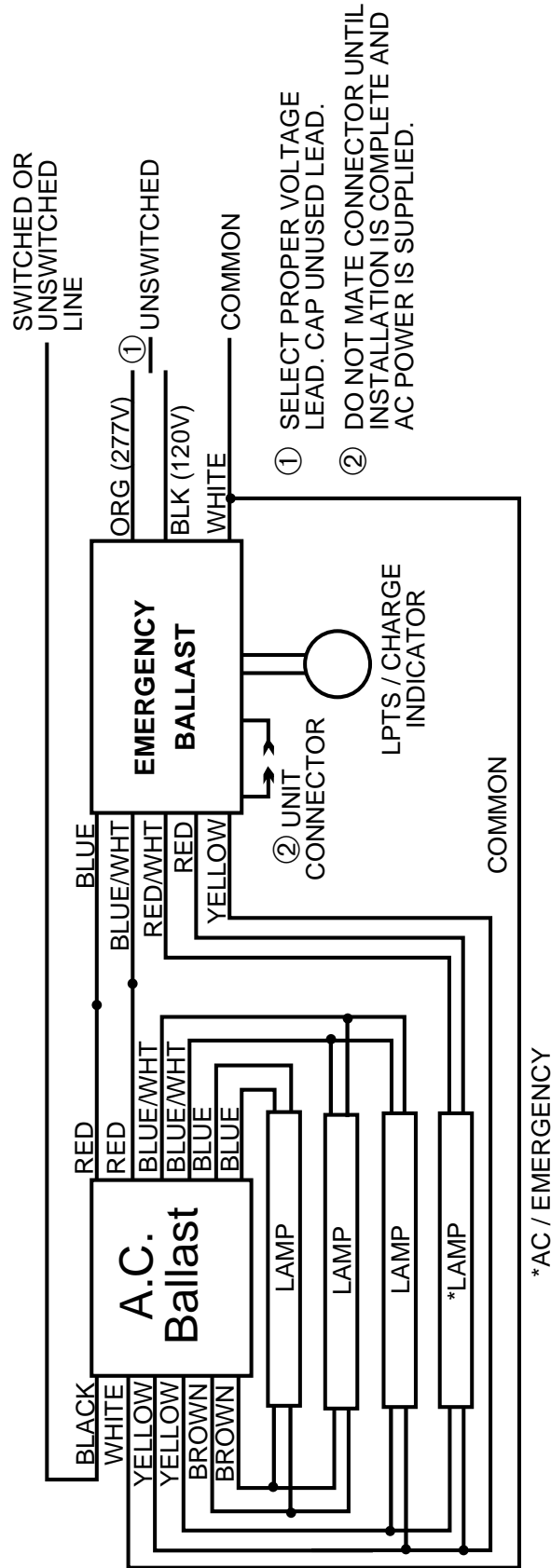
MOTOROLA

M2-RN-T5/40-1LL-B-120/277
M2-RH-T8-1LL-B-120/277
M2-RL-T8-1LL-A-120/277
M2-RN-T12-1LL-B-120/277
M2-RN-T8-10C-B-120/277
M2-RN-T8-1LL-D-120/277

ALL COMPATIBLE BALLASTS MAY NOT BE LISTED.
*DIMMING CONTROL WIRES ARE NOT AFFECTED BY EM PACK

4LR5B

FOUR LAMP RAPID START BALLAST



ADVANCE

RC-4S60-TP
RC-4S85-TP
VCN-4S32-SC

GE

G4-RL-T8-1LL-120/277
G4-RN-T8-10C-120/277
G4-RN-T8-1LL-120/277

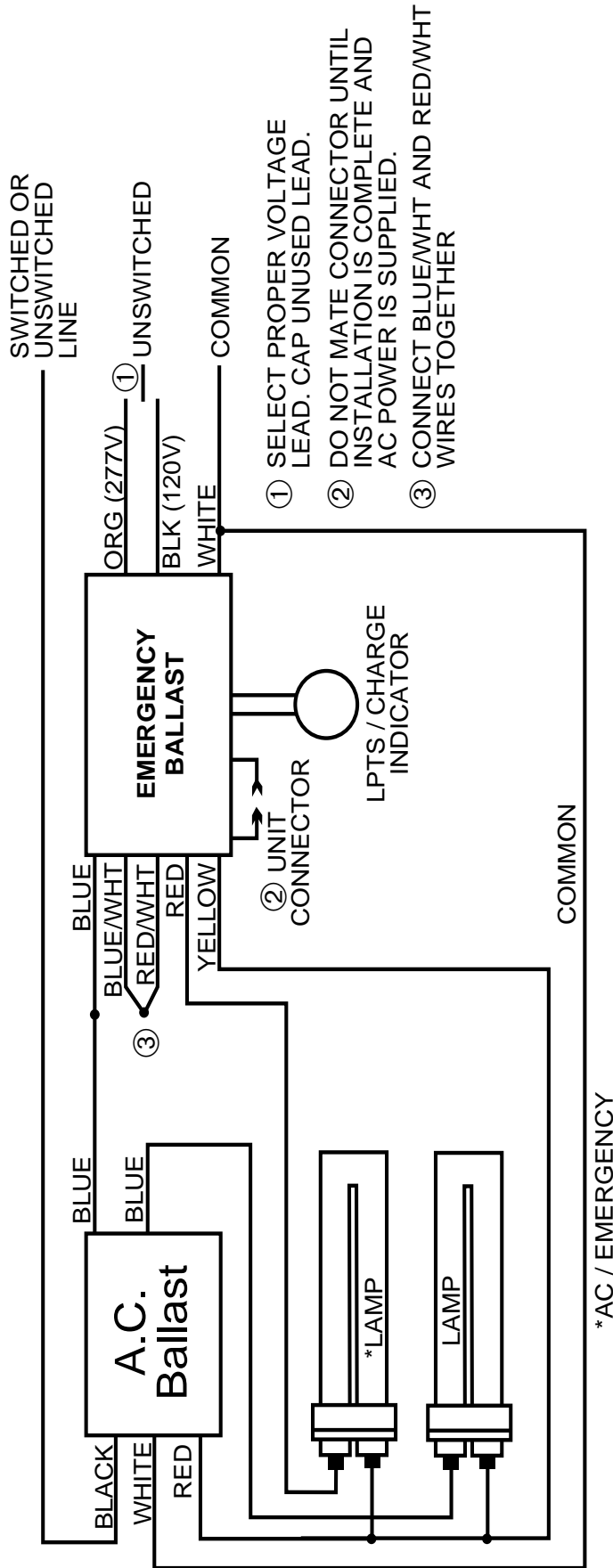
MOTOROLA

M4-RL-T8-1LL-A-120/277
M4-RL-T8-1LL-B-120/277
M4-RN-T8-1LL-A-120/277
M4-RN-T8-1LL-B-120/277

ALL COMPATIBLE BALLASTS MAY NOT BE LISTED.
*DIMMING CONTROL WIRES ARE NOT AFFECTED BY EM PACK

2LISBX

TWO BIAX LAMP INSTANT START BALLAST



MAGNETEK

B232I120/277HP
B232I120/277RH

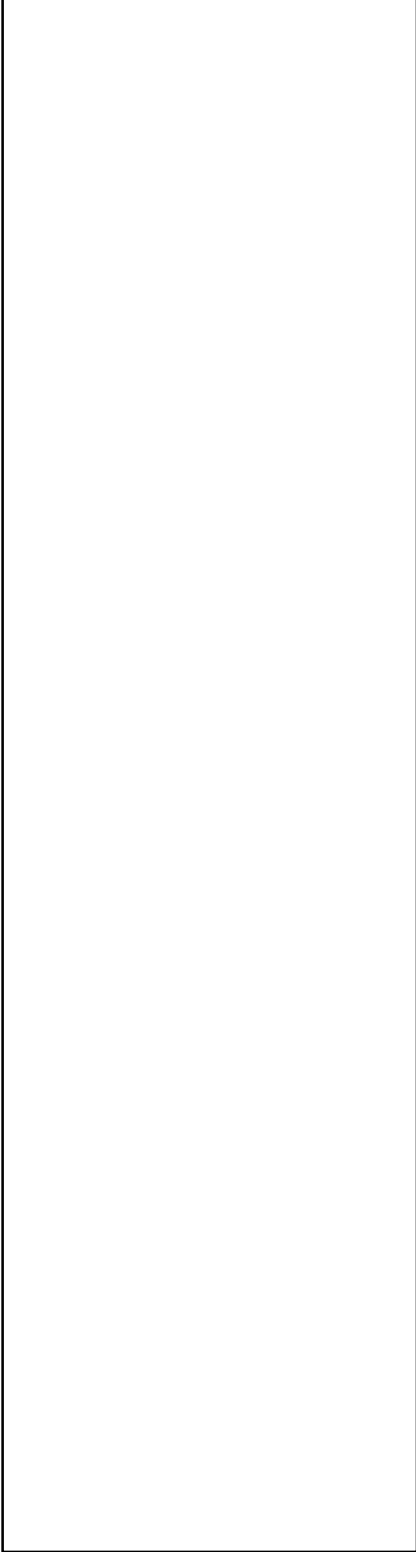
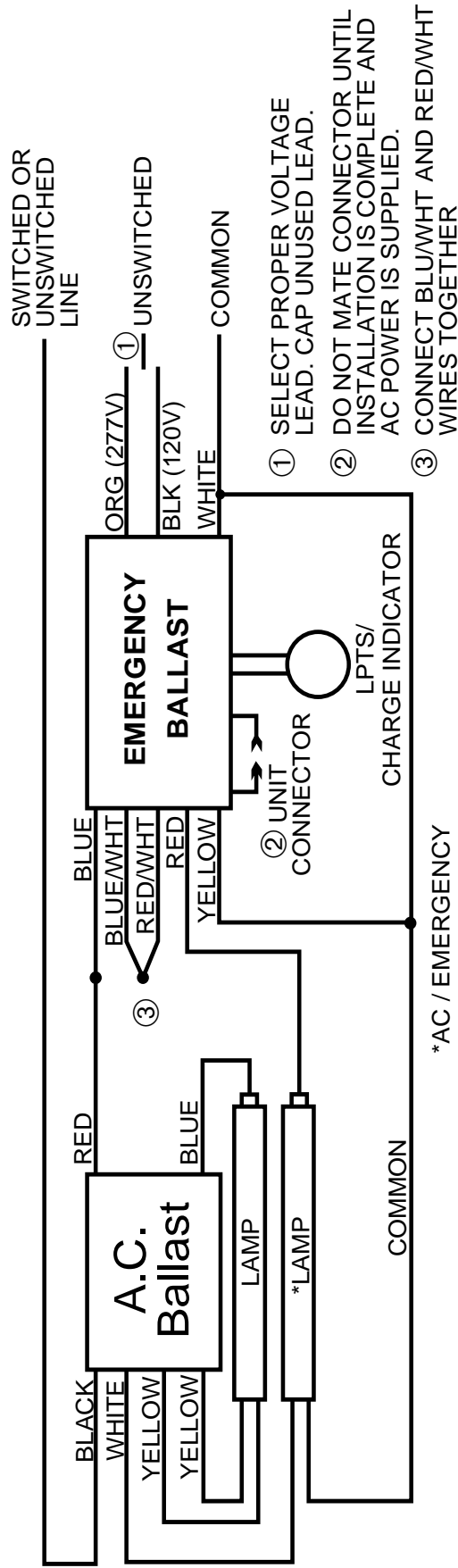
MOTOROLA

M2-IL-T8-GP-120/277
M2-IN-T8-D-120/277
M2-IN-T8-1LL-D-120/277
M2-IN-T8-GP-120/277

ALL COMPATIBLE BALLASTS MAY NOT BE LISTED.
* DIMMING CONTROL WIRES ARE NOT AFFECTED BY EM PACK

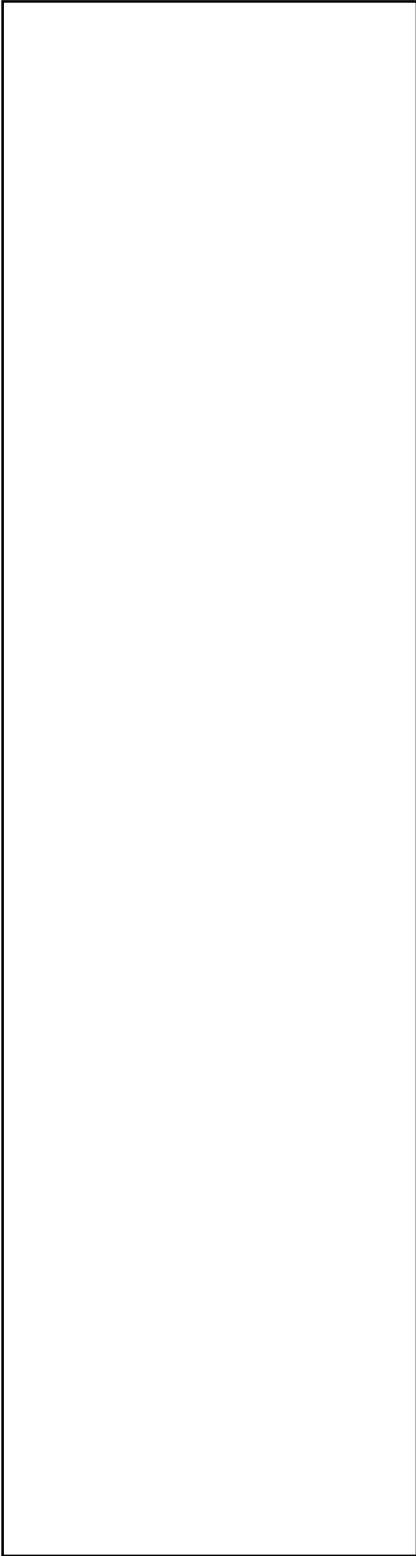
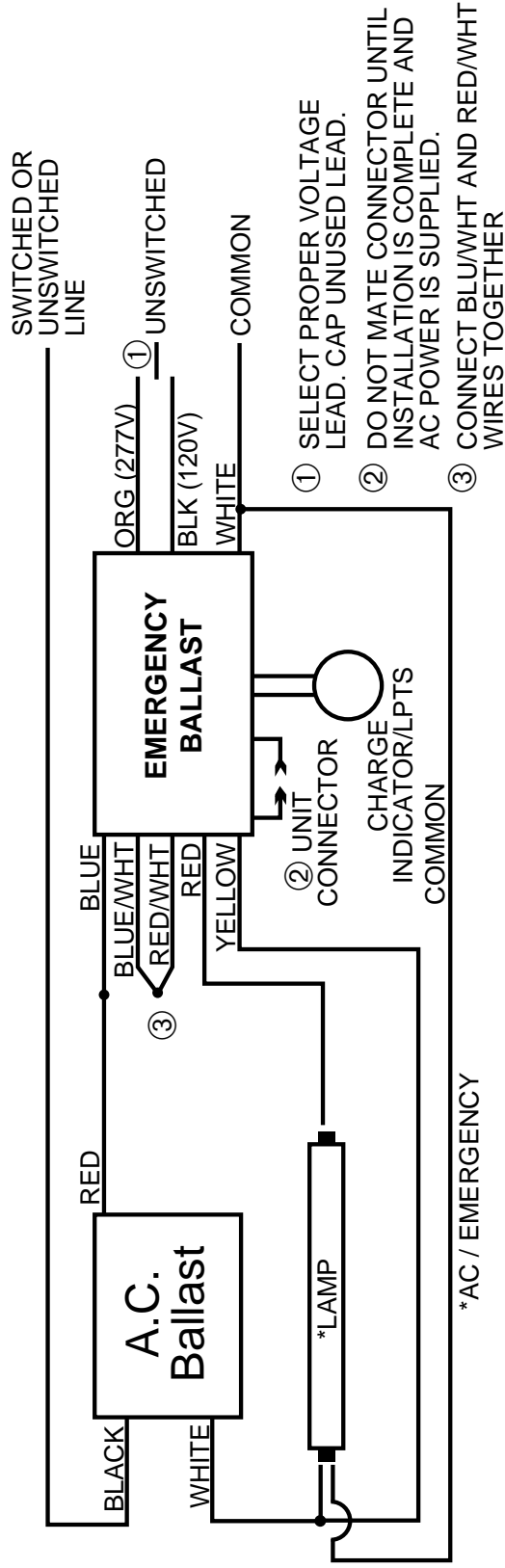
2LMB

TWO LAMP BALLAST



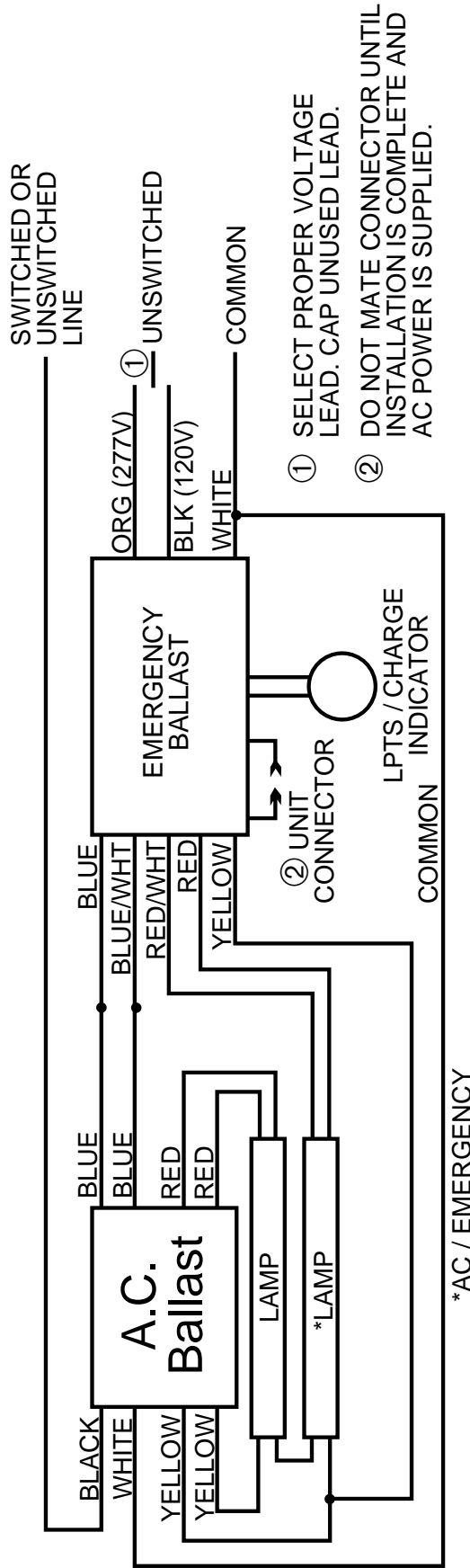
1LMB

ONE LAMP MAGNETIC BALLAST



2LRSB2

TWO LAMP RAPID START BALLAST



*AC / EMERGENCY

MAGNETEK

BT5-228/120

BT5-228/277

SYLVANIA

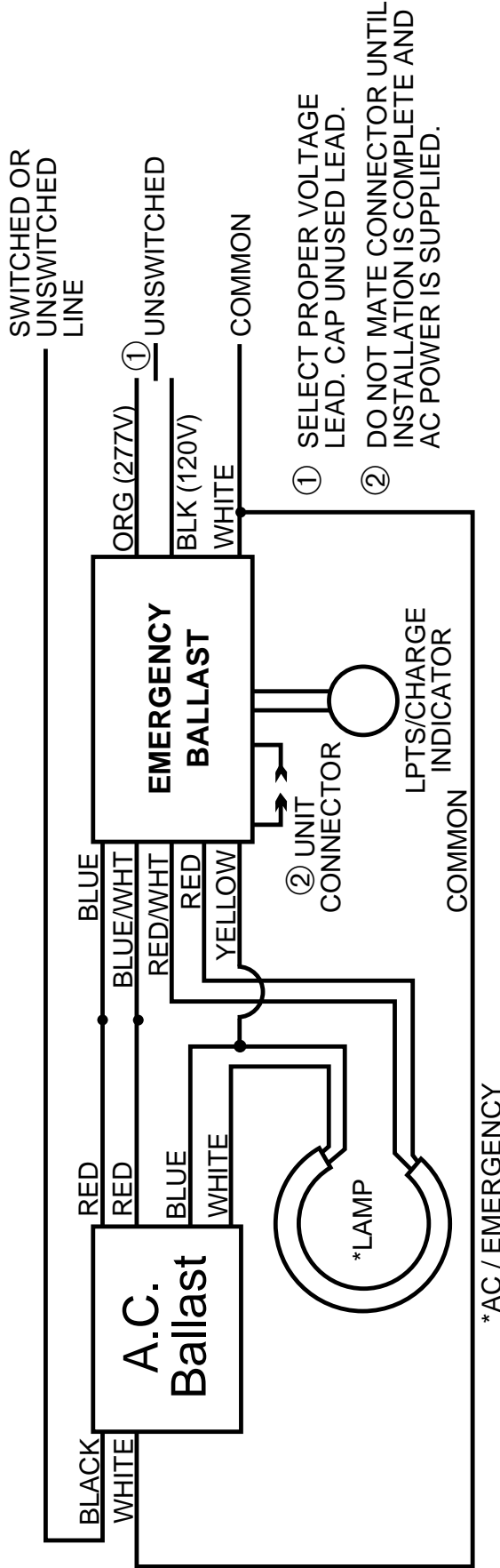
QT2X54PHO/120PHO

QT2X54PHO/277PHO

ALL COMPATIBLE BALLASTS MAY NOT BE LISTED.
*DIMMING CONTROL WIRES ARE NOT AFFECTED BY EM PACK

1LCRSB

ONE LAMP CIRCLINE RAPID START BALLAST



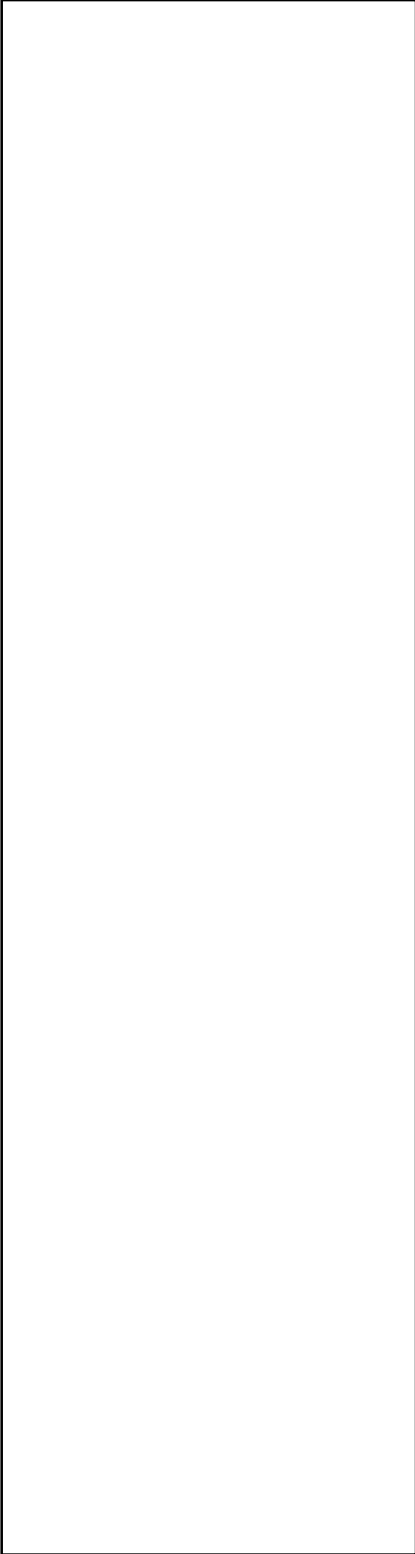
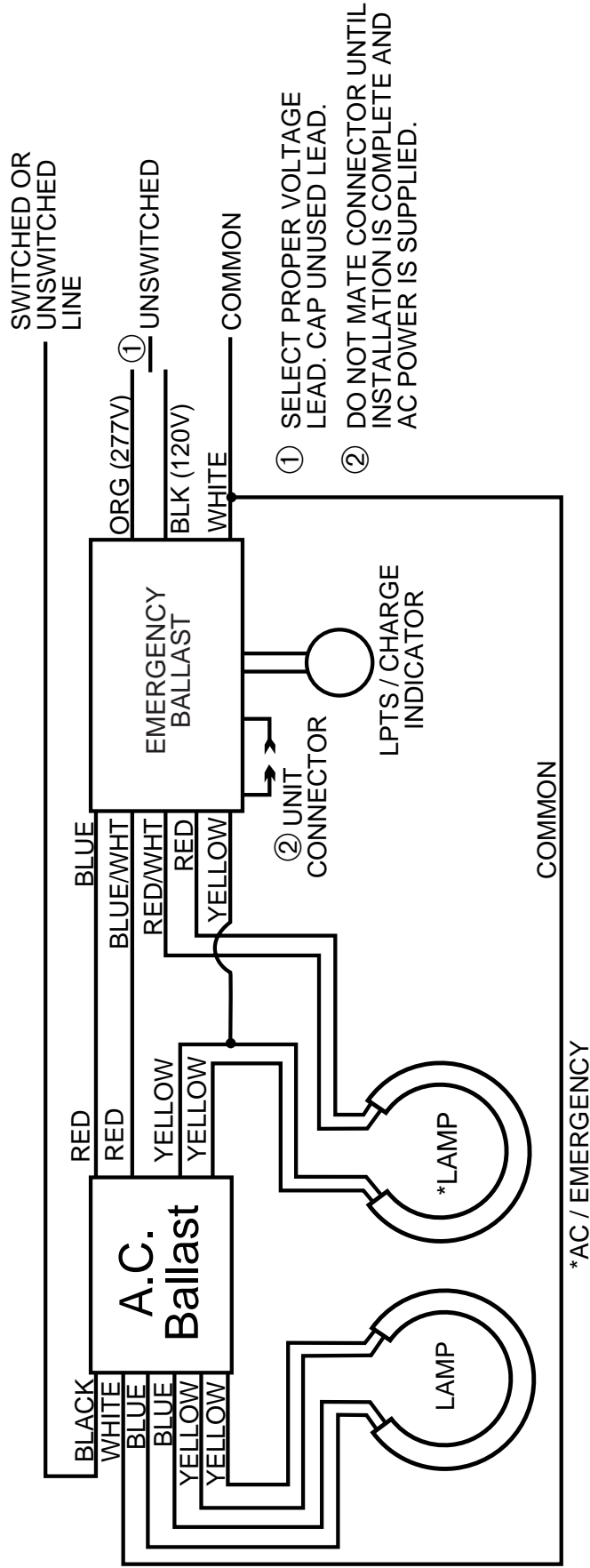
ADVANCE

RLCS-140-TP
RLOS-122-TP

ALL COMPATIBLE BALLASTS MAY NOT BE LISTED.
*DIMMING CONTROL WIRES ARE NOT AFFECTED BY EM PACK

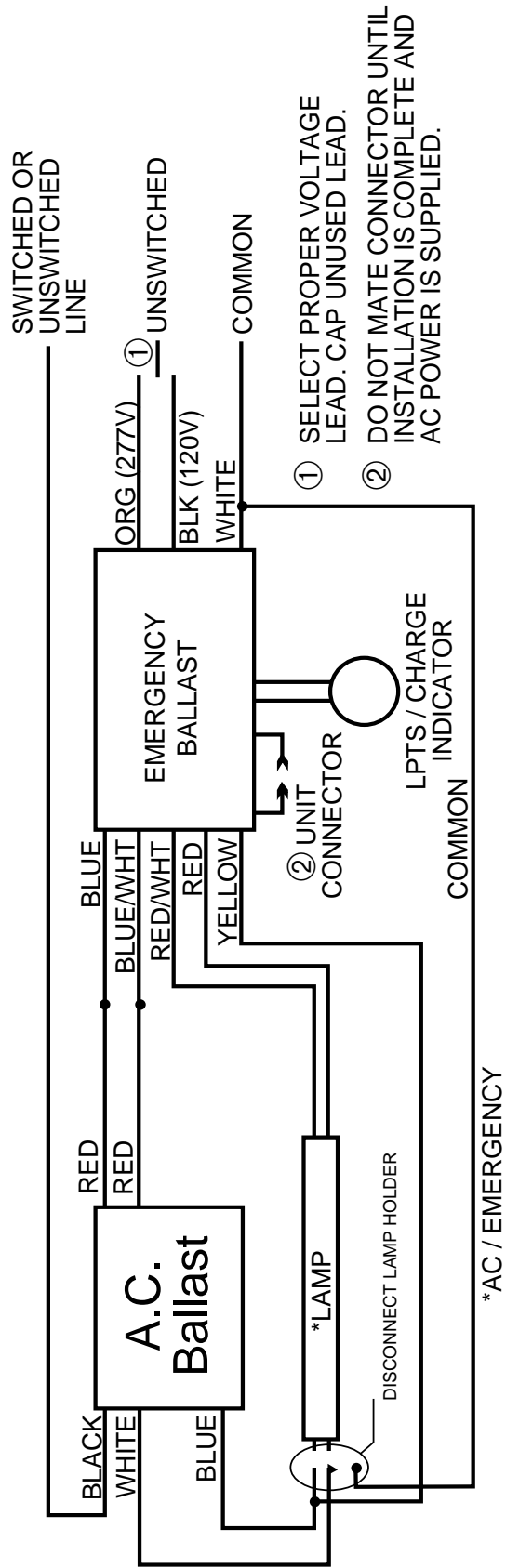
3LR5B

TWO LAMP CIRCLINE RAPID START BALLAST



1LLAG

ONE LAMP LAG BALLAST



① SELECT PROPER VOLTAGE LEAD. CAP UNUSED LEAD.

② DO NOT MATE CONNECTOR UNTIL INSTALLATION IS COMPLETE AND AC POWER IS SUPPLIED.

ADVANCE

RL-140-TP

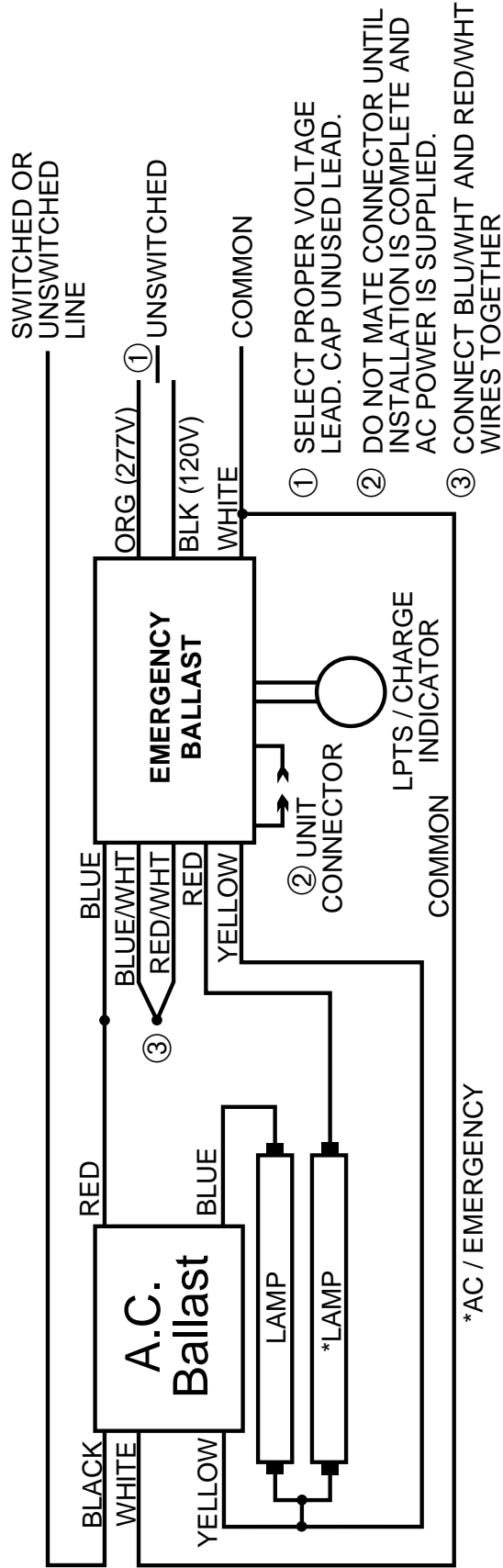
MAGNETEK

543-B

ALL COMPATIBLE BALLASTS MAY NOT BE LISTED.
*DIMMING CONTROL WIRES ARE NOT AFFECTED BY EM PACK

2ESLISB2

ENERGY SAVINGS TWO LAMP INSTANT START BALLAST



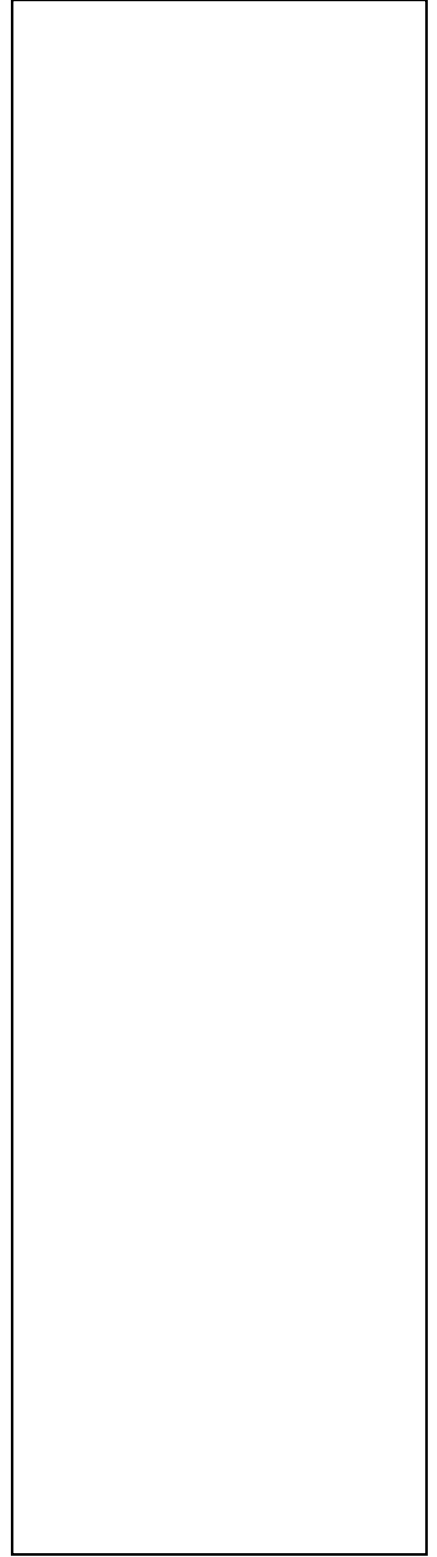
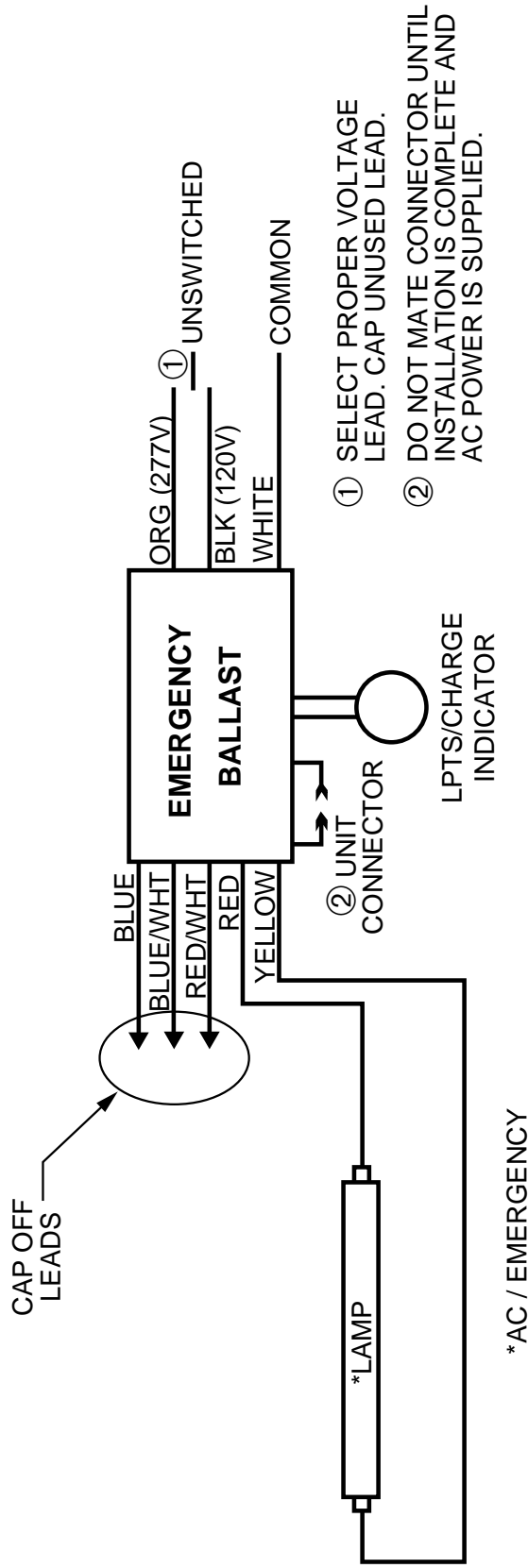
ENERGY SAVINGS

ES-2/I-1B-32/25/17/15-UNV-A-IS

ALL COMPATIBLE BALLASTS MAY NOT BE LISTED.
 *DIMMING CONTROL WIRES ARE NOT AFFECTED BY EM PACK

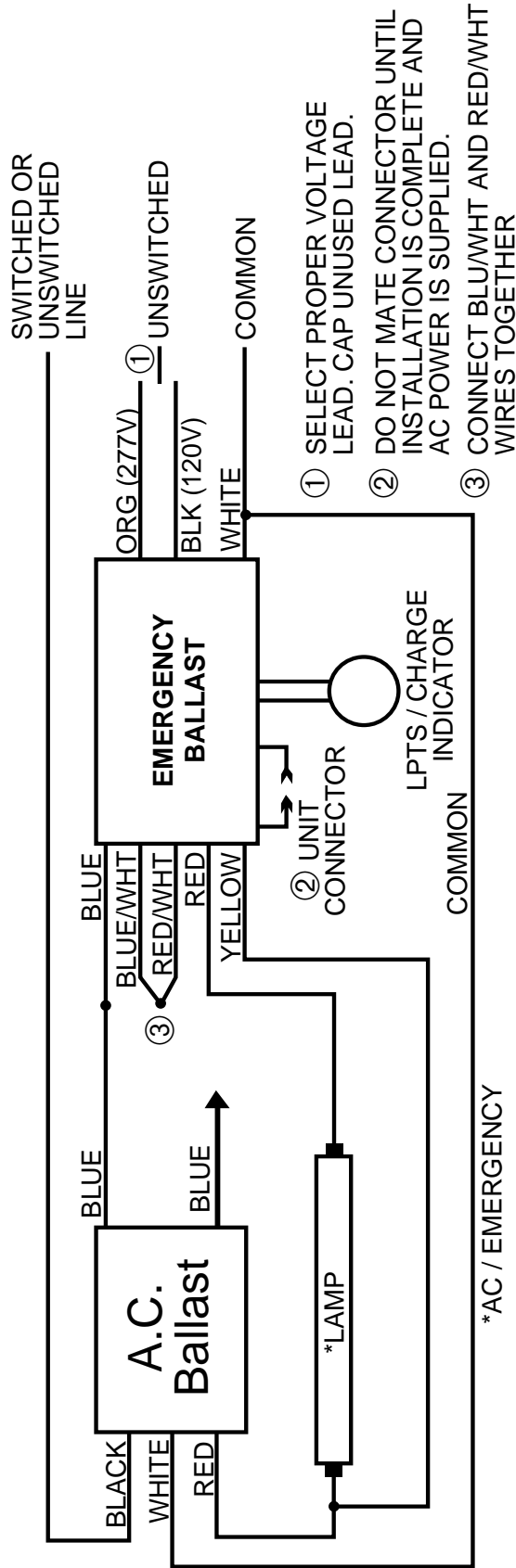
1LEO

ONE LAMP EMERGENCY ONLY



1LTB

ONE LAMP TRIAD BALLAST



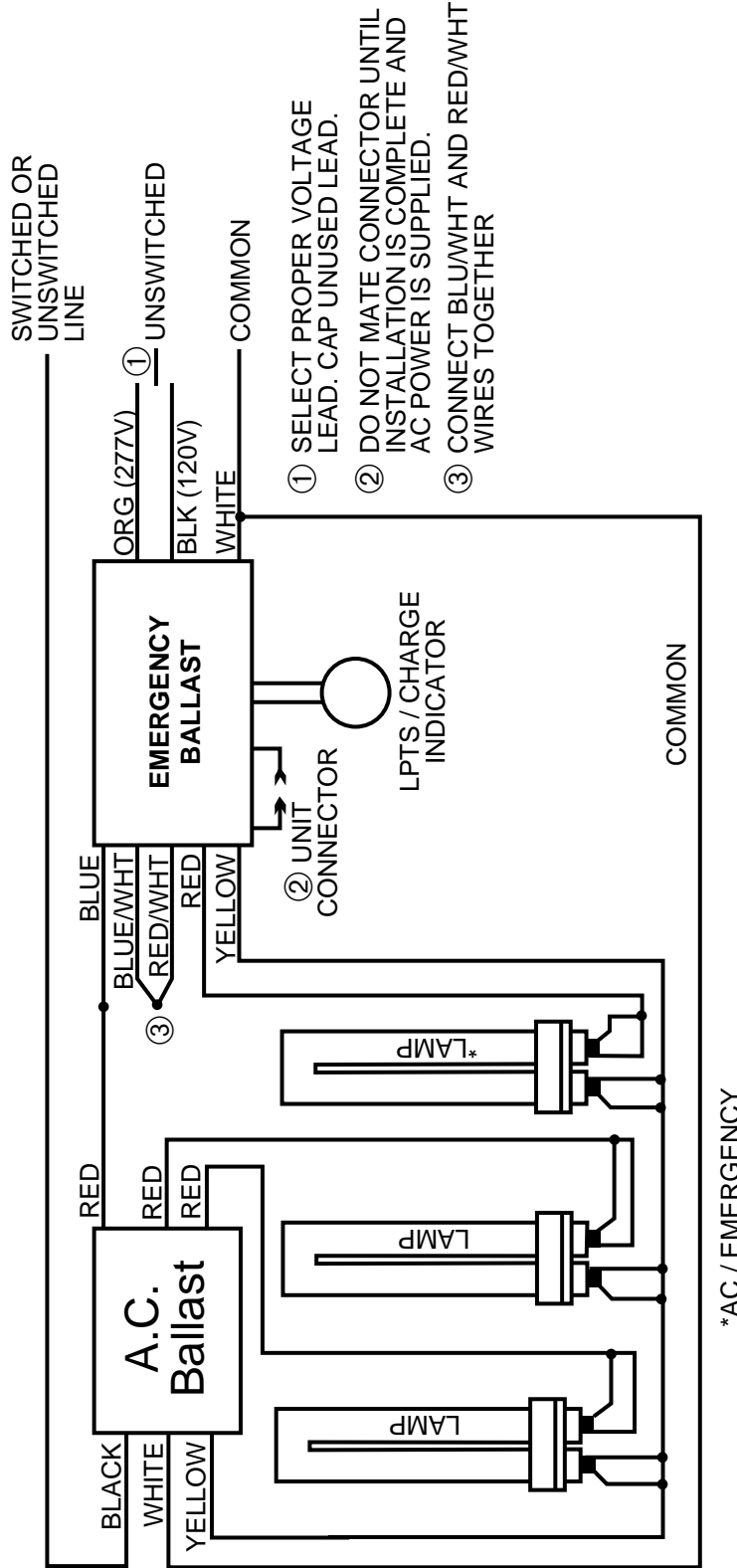
TRIAD

B240I 120/277

ALL COMPATIBLE BALLASTS MAY NOT BE LISTED.
*DIMMING CONTROL WIRES ARE NOT AFFECTED BY EM PACK

FWB

FULHAM WORKHORSE BALLAST

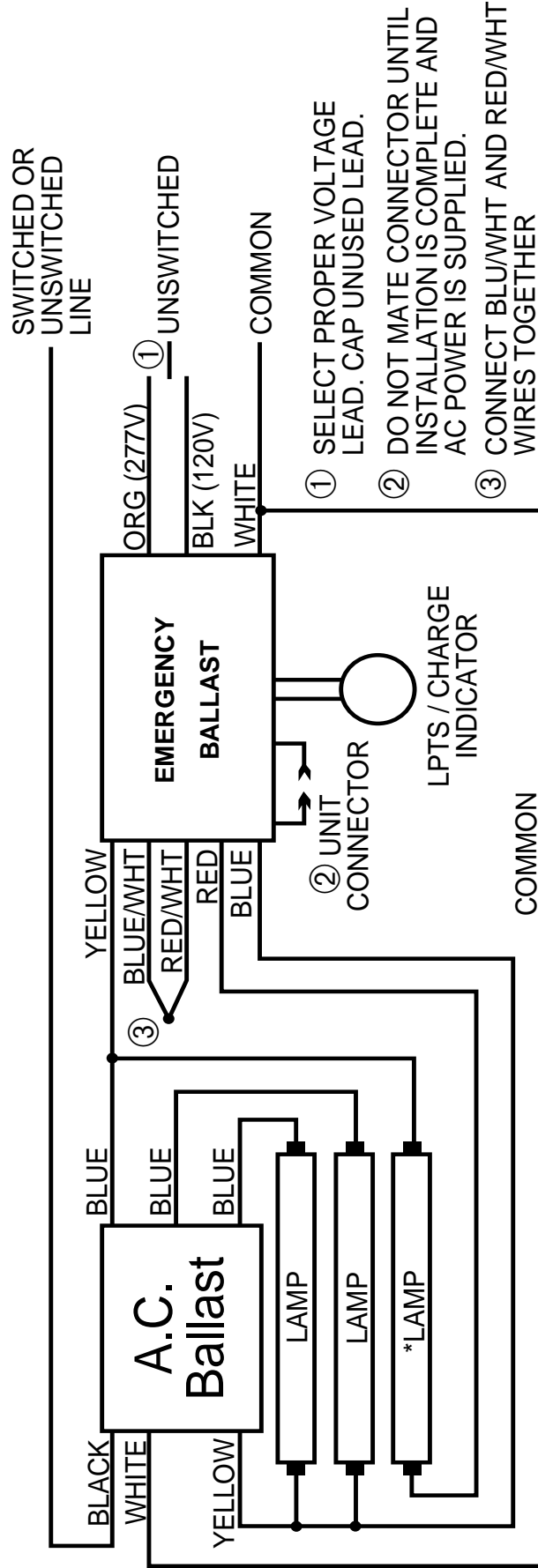


FULHAM

- WH4-120-L
- WH4-277-L
- WH5-120-L
- WH5-277-L
- WH6-120-L
- WH6-277-L

ALL COMPATIBLE BALLASTS MAY NOT BE LISTED.
 *DIMMING CONTROL WIRES ARE NOT AFFECTED BY EM PACK

THREE LAMP INSTANT START BALLAST



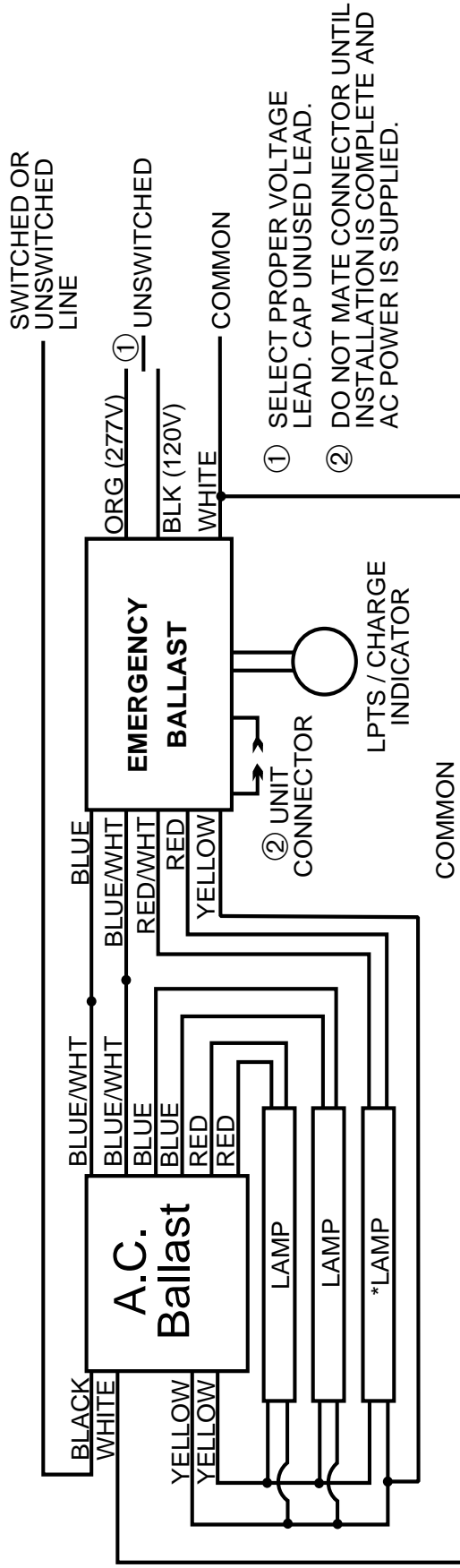
ADVANCE

VCN 3P32

ALL COMPATIBLE BALLASTS MAY NOT BE LISTED.
*DIMMING CONTROL WIRES ARE NOT AFFECTED BY EM PACK

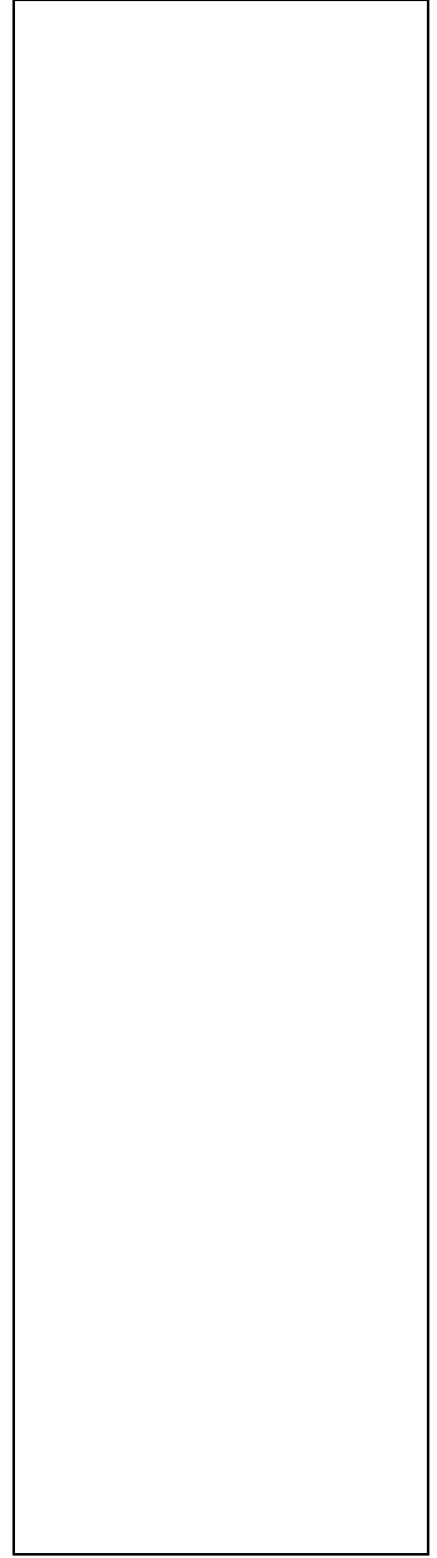
3LRSB2

THREE LAMP RAPID START BALLAST



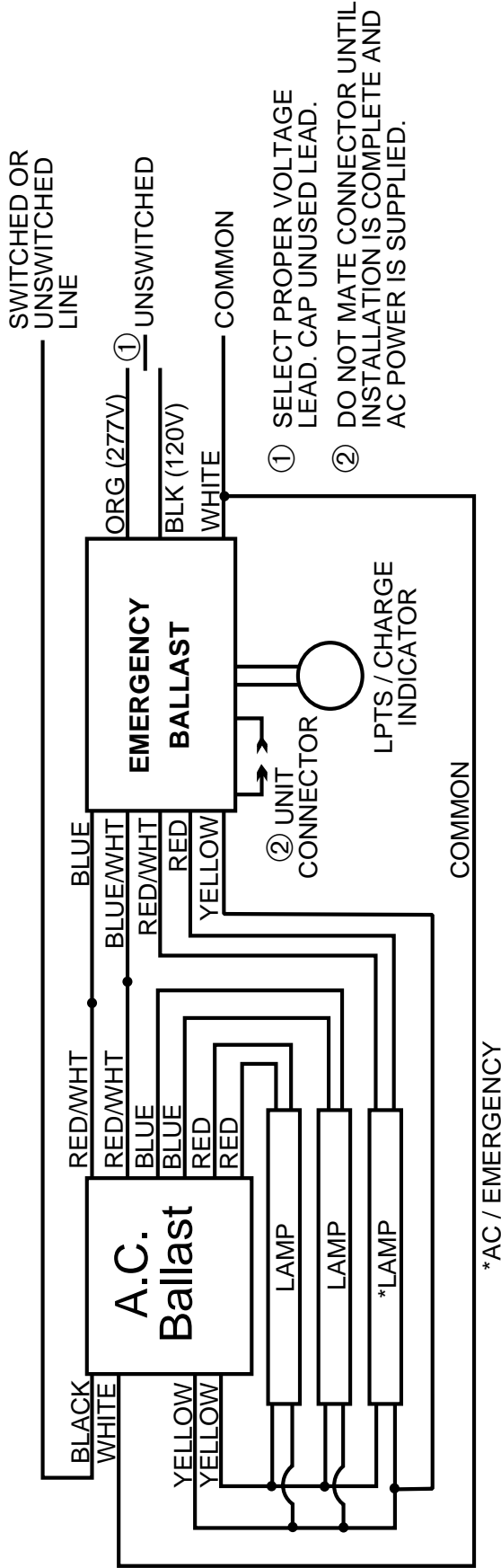
- ① SELECT PROPER VOLTAGE LEAD. CAP UNUSED LEAD.
- ② DO NOT MATE CONNECTOR UNTIL INSTALLATION IS COMPLETE AND AC POWER IS SUPPLIED.

*AC / EMERGENCY



3LRSB3

THREE LAMP RAPID START BALLAST



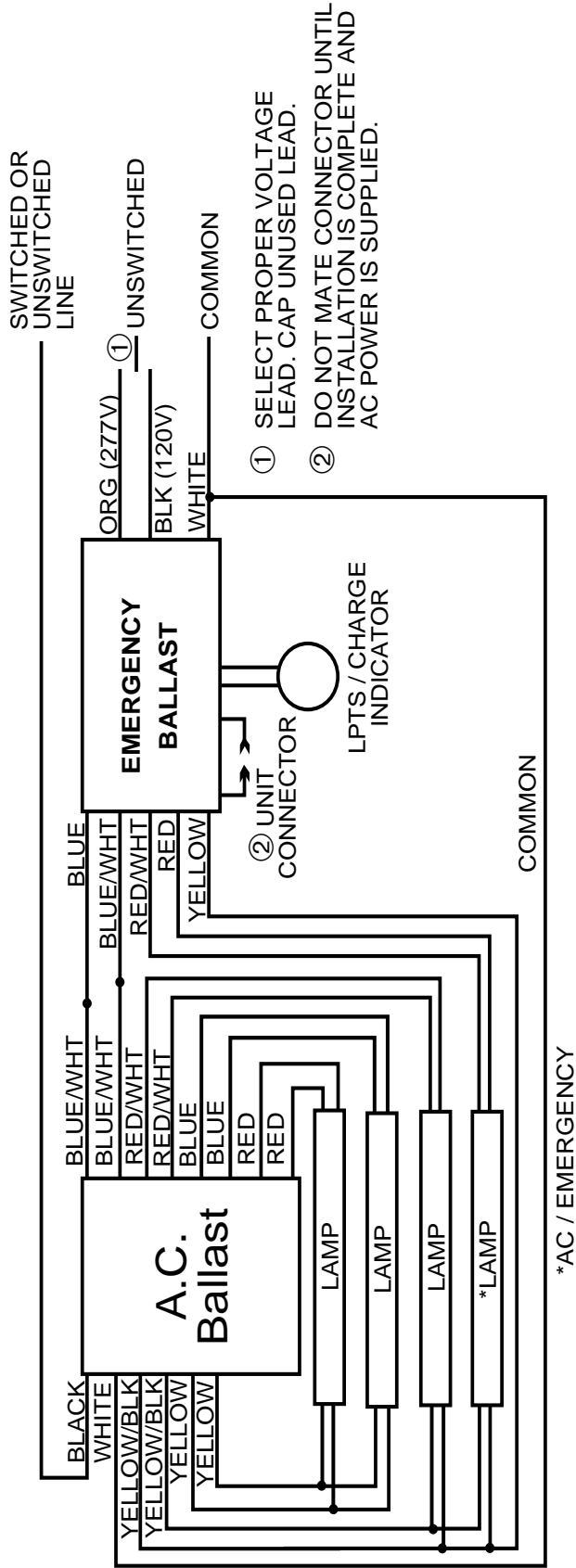
MAGNETEK

B332-R277HP
B332-R120HP

ALL COMPATIBLE BALLASTS MAY NOT BE LISTED.
*DIMMING CONTROL WIRES ARE NOT AFFECTED BY EM PACK

4LRSB2

FOUR LAMP RAPID START BALLAST



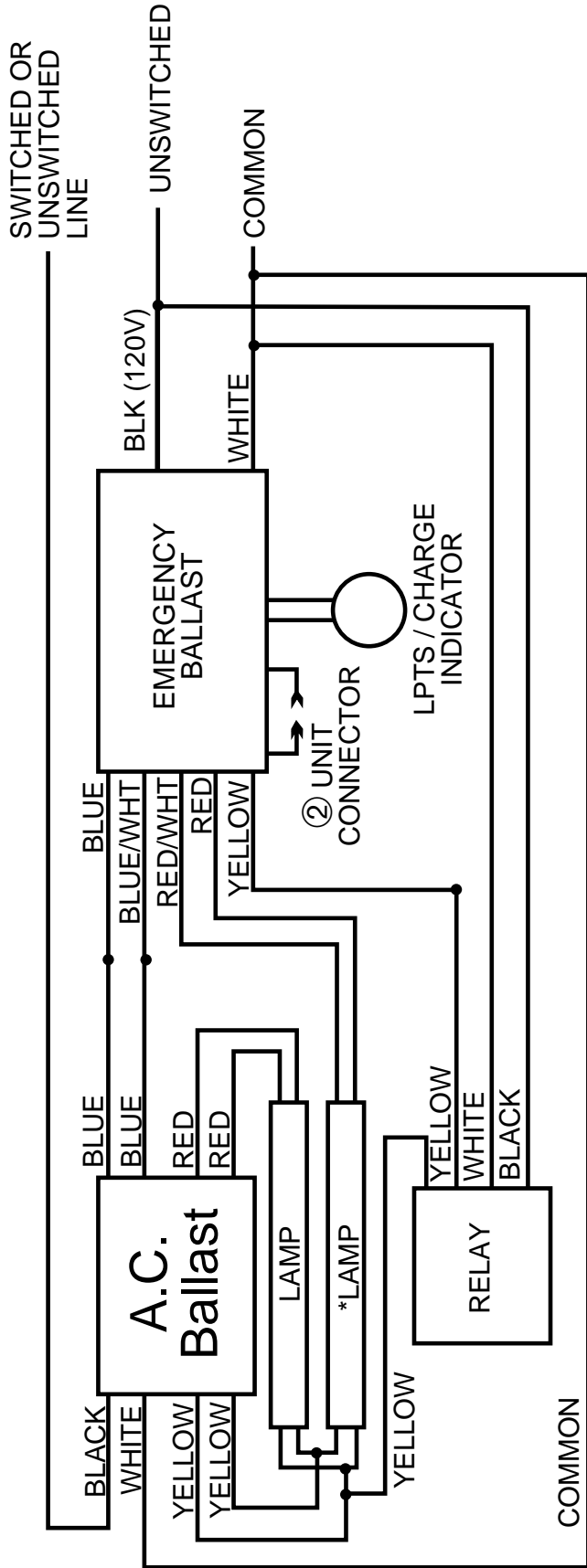
MAGNETEK

B432 R277 HP

ALL COMPATIBLE BALLASTS MAY NOT BE LISTED.
 *DIMMING CONTROL WIRES ARE NOT AFFECTED BY EM PACK

2LRSBWR

TWO LAMP RAPID START BALLAST WITH RELAY



*AC / EMERGENCY

ADVANCE

RIC/MIC-2S32
 REZ/VEZ-2S32
 RZT/VZT-2S32*

LUTRON

ECO-T832-120/277-2*
 FDB-4827-120/277-2*

MAGNETEK

B232 R277 HP

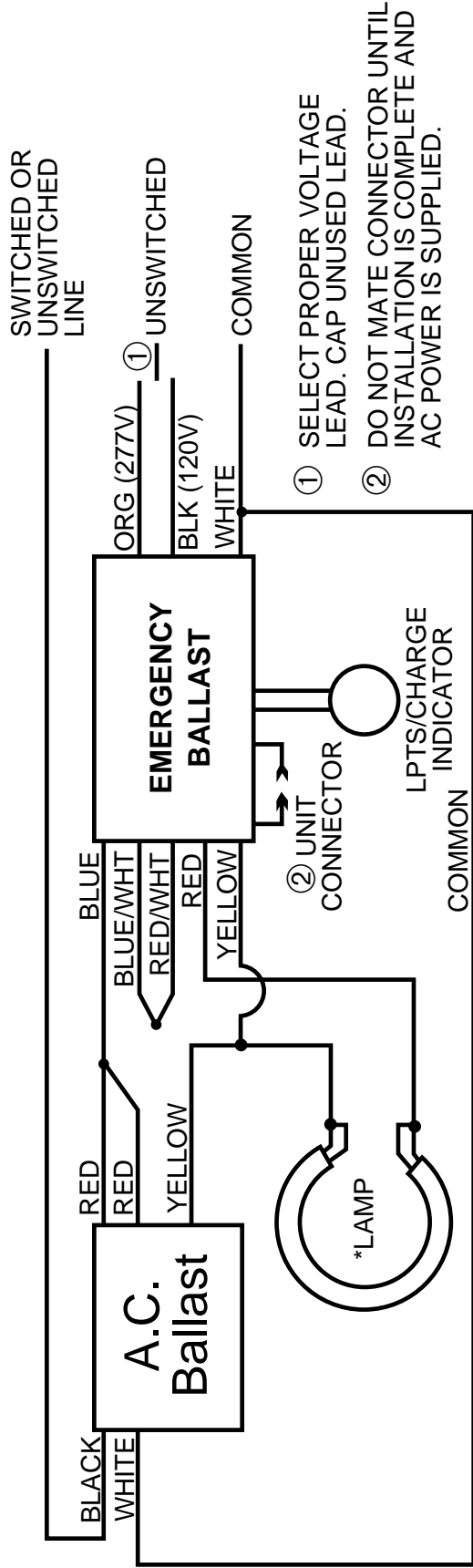
MOTOROLA

M2-RH-T8-1LL-B-120/277
 M2-RL-T8-1LL-A-120/277
 M2-RN-T12-1LL-B-120/277
 M2-RN-T8-10C-B-120/277
 M2-RN-T8-1LL-D-120/277

ALL COMPATIBLE BALLASTS MAY NOT BE LISTED.
 *DIMMING CONTROL WIRES ARE NOT AFFECTED BY EM PACK

1LCISB_F

ONE LAMP CIRCLINE INSTANT START BALLAST



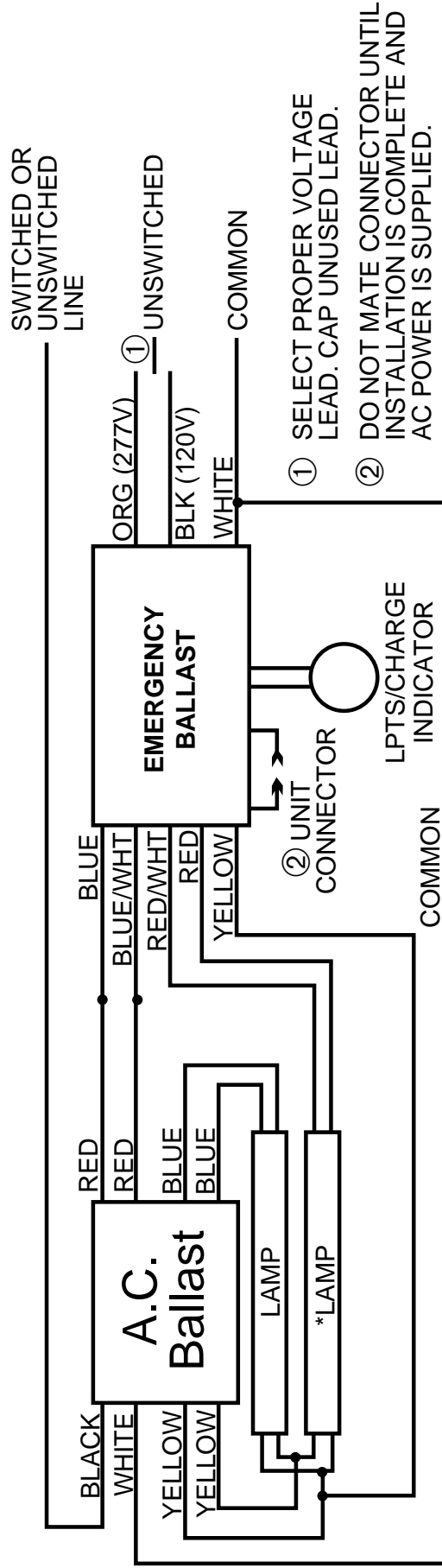
*AC / EMERGENCY

FULLHAM

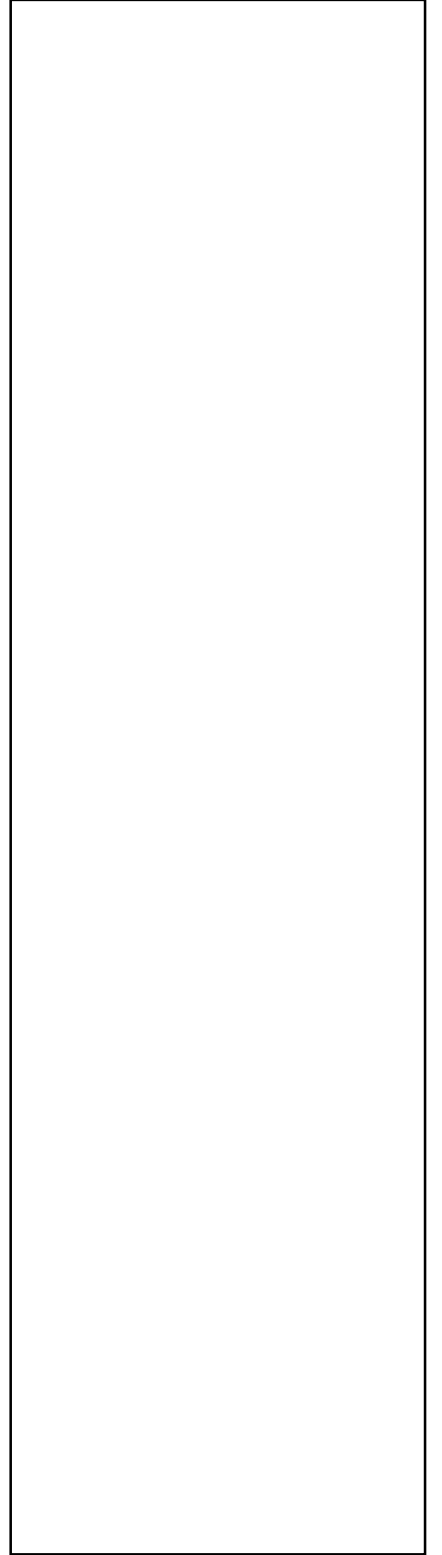
WH3

ALL COMPATIBLE BALLASTS MAY NOT BE LISTED.
*DIMMING CONTROL WIRES ARE NOT AFFECTED BY EM PACK

TWO LAMP RAPID START BALLAST

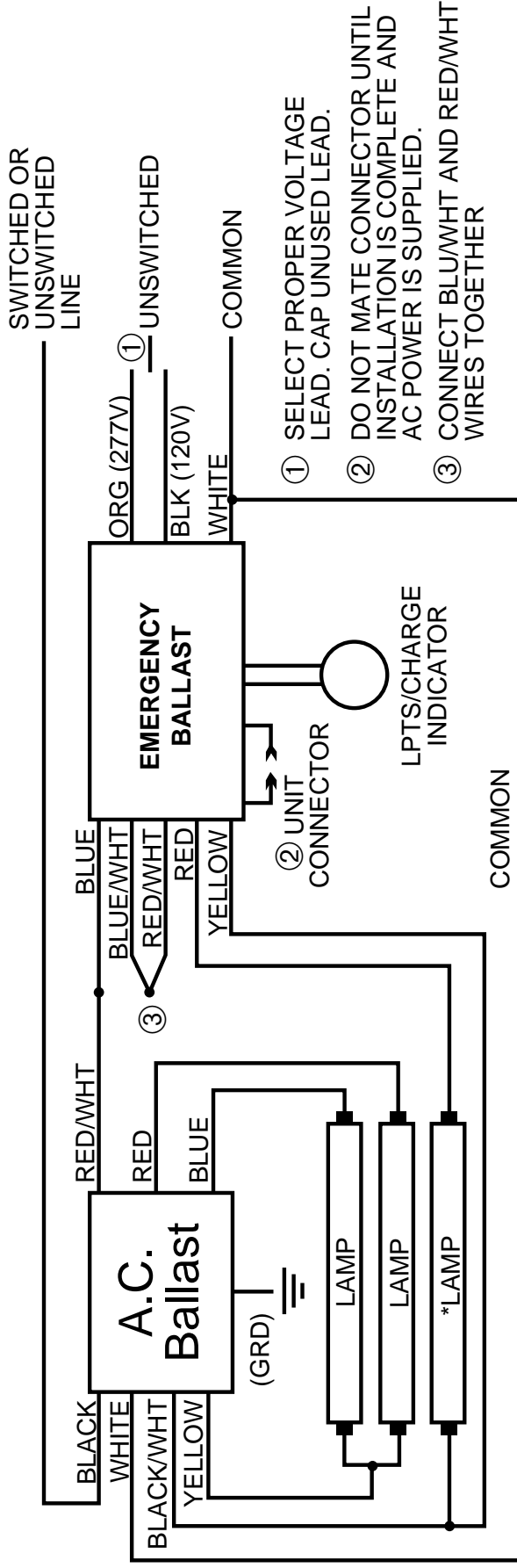


* AC / EMERGENCY



3LISB_3

THREE LAMP INSTANT START BALLAST

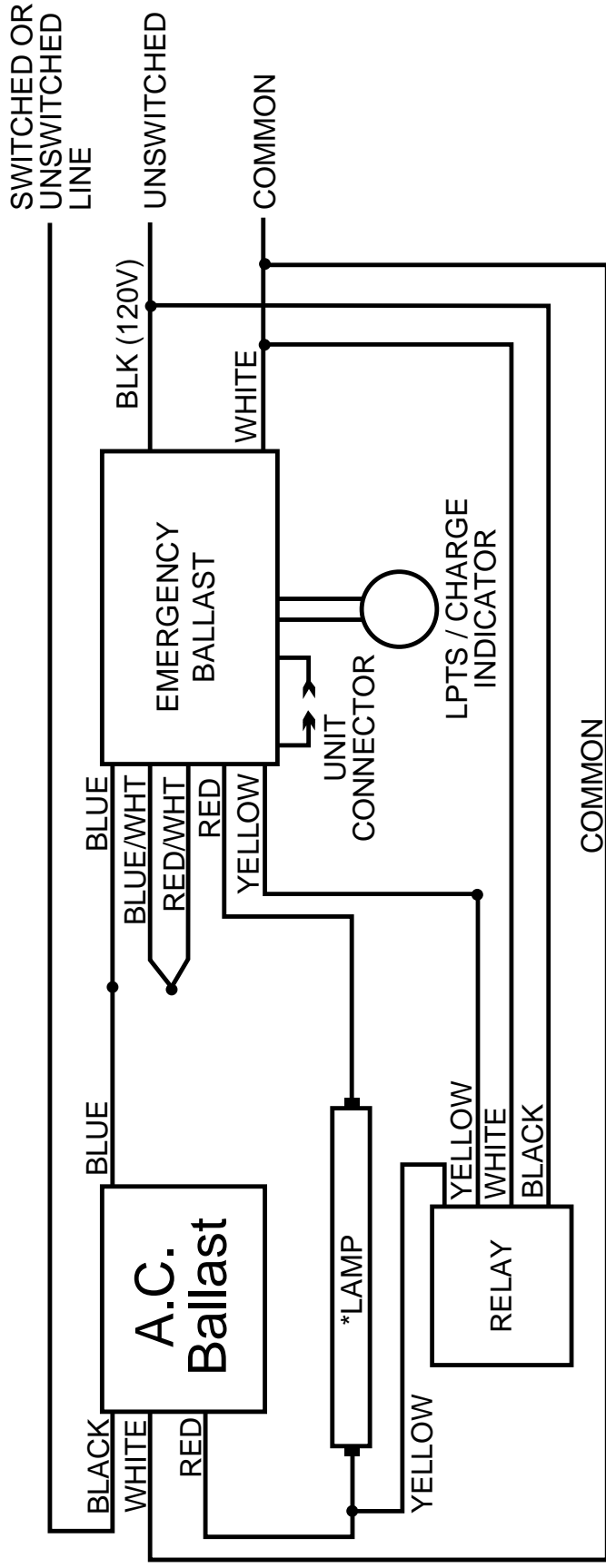


ENERGY SAVINGS

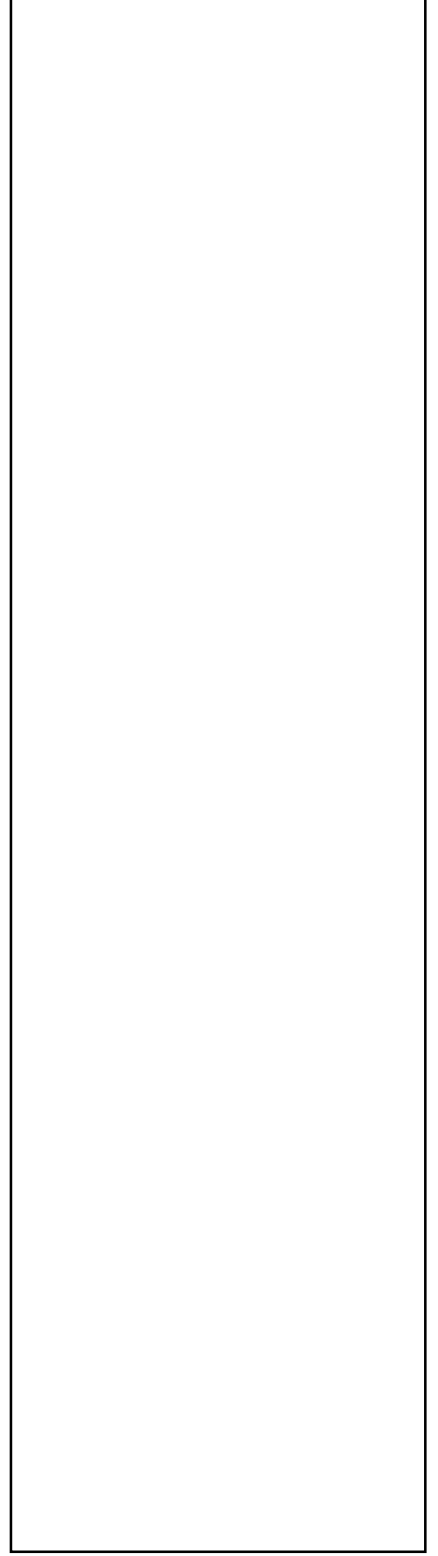
ES-4/3-T8-32/25/17-UNV-B-IS

ALL COMPATIBLE BALLASTS MAY NOT BE LISTED.
 *DIMMING CONTROL WIRES ARE NOT AFFECTED BY EM PACK

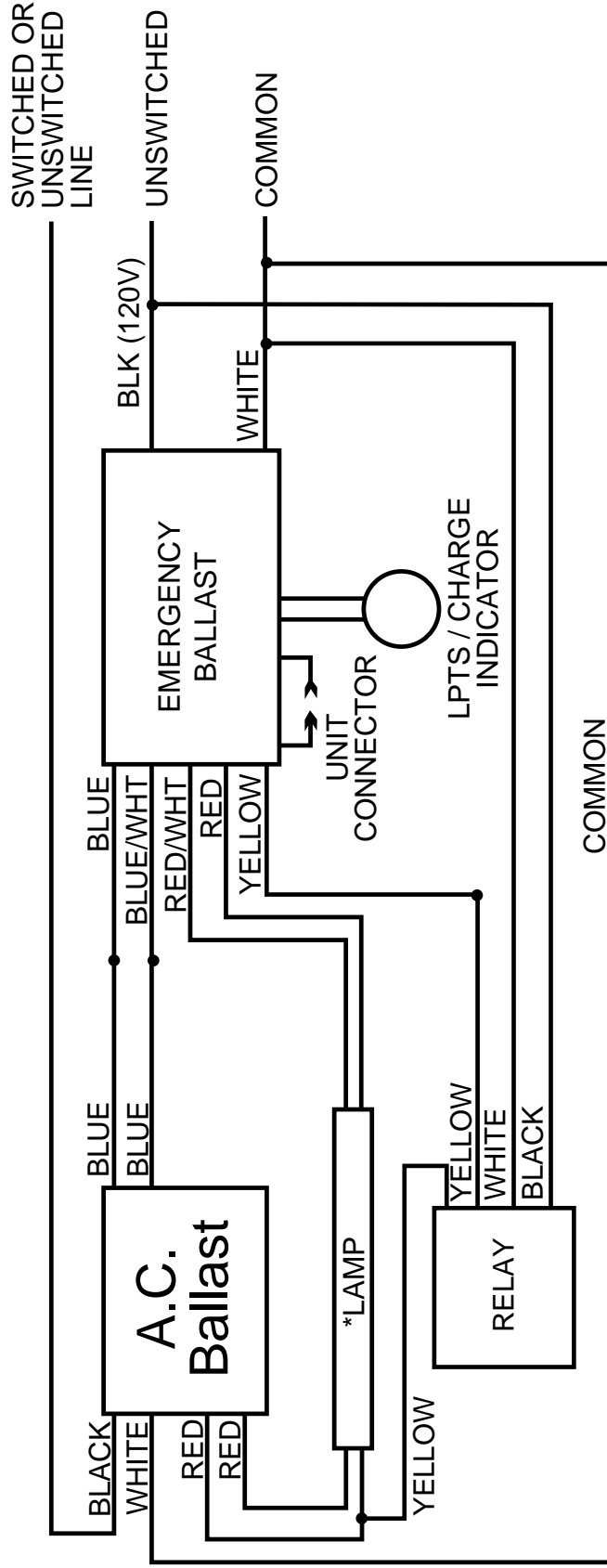
ONE LAMP INSTANT START BALLAST WITH RELAY



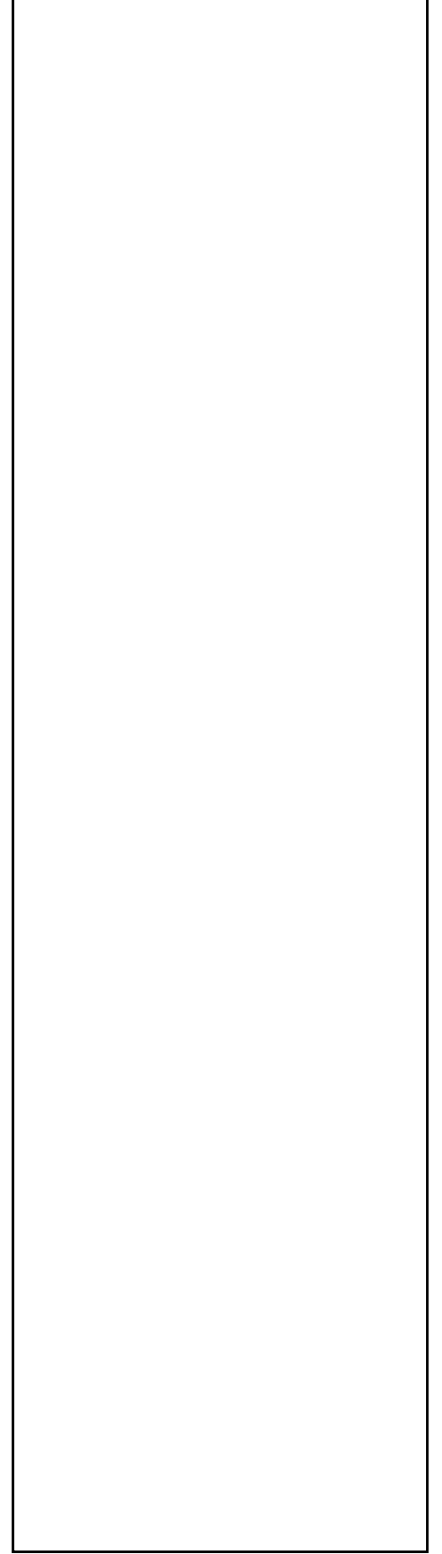
* AC / EMERGENCY



ONE LAMP RAPID START BALLAST WITH RELAY

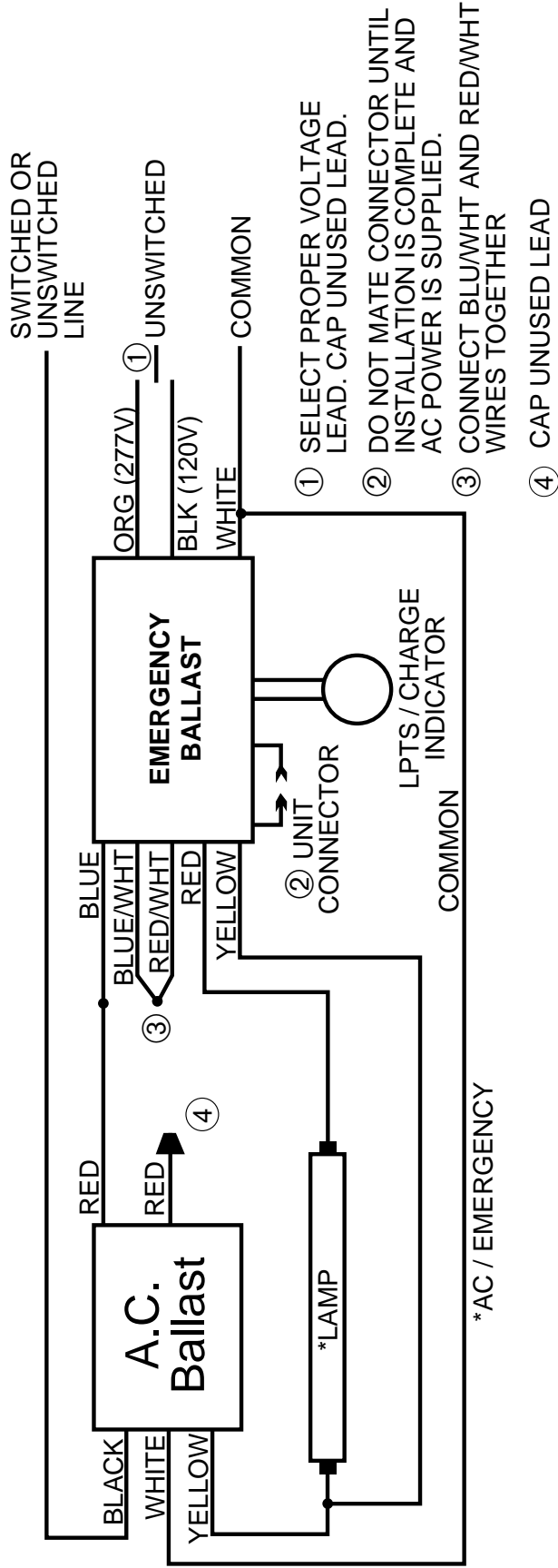


* AC / EMERGENCY



1LISB_F

ONE LAMP INSTANT START FULLHAM BALLAST

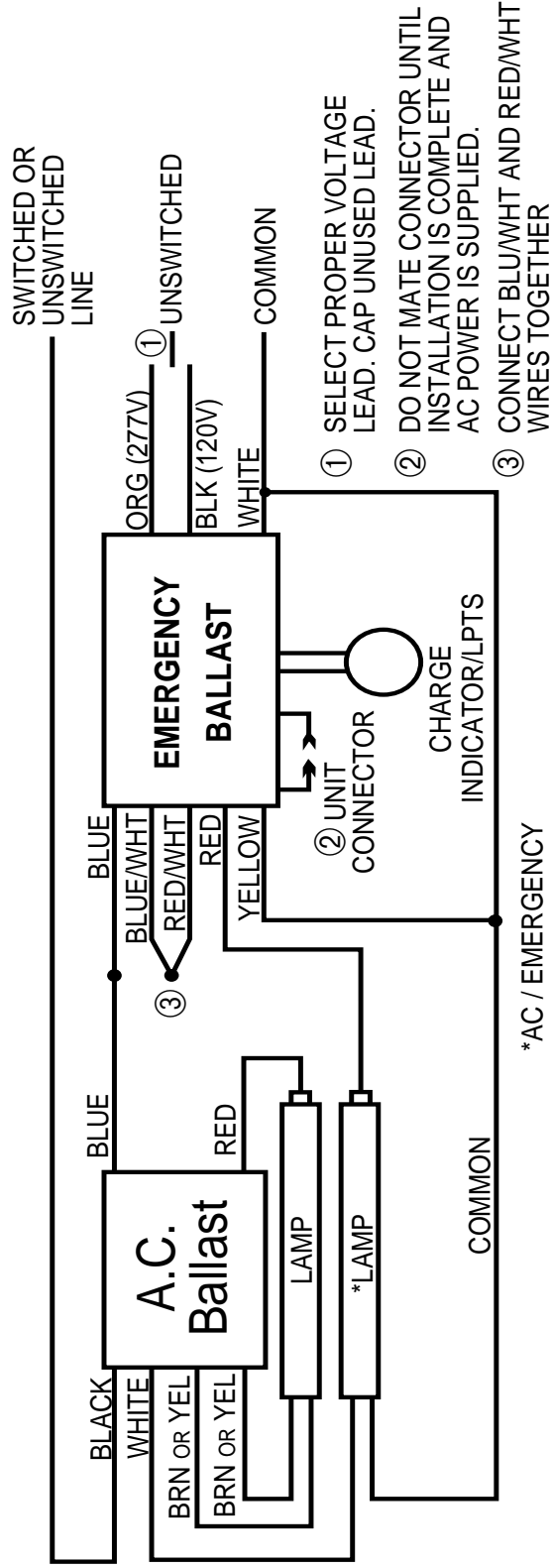


FULLHAM
WORKHORSE IV

ALL COMPATIBLE BALLASTS MAY NOT BE LISTED.
*DIMMING CONTROL WIRES ARE NOT AFFECTED BY EM PACK

2LSL

TWO LAMP SERIES LEAD BALLAST



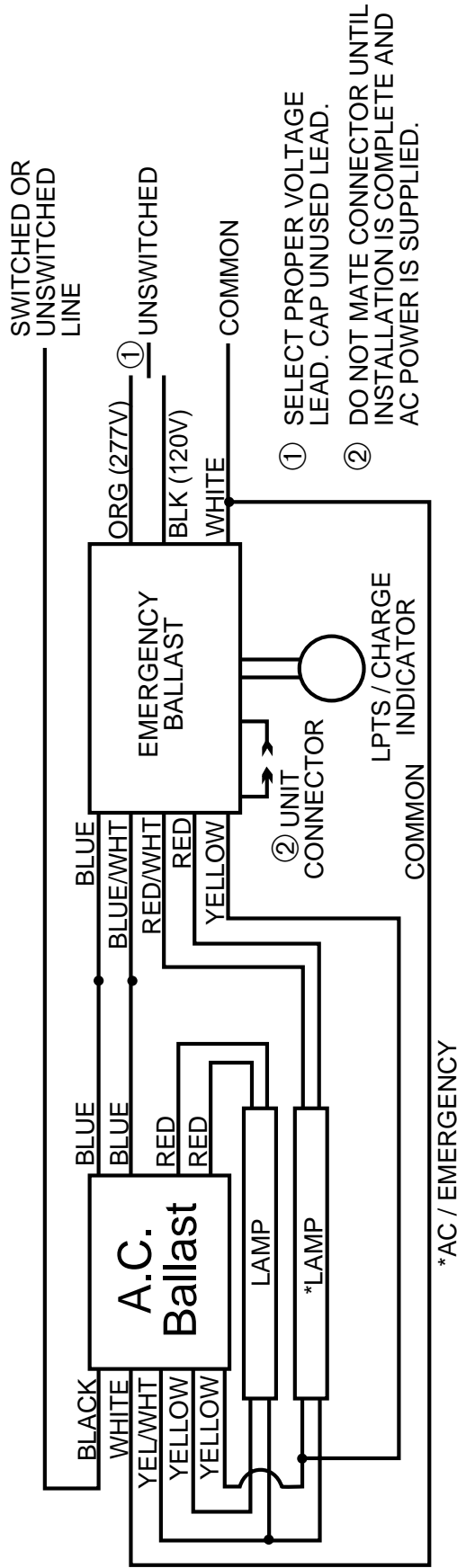
ADVANCE

VSM-2E75S5-TP

ALL COMPATIBLE BALLASTS MAY NOT BE LISTED.
 *DIMMING CONTROL WIRES ARE NOT AFFECTED BY EM PACK

2LRSB3

TWO LAMP RAPID START BALLAST

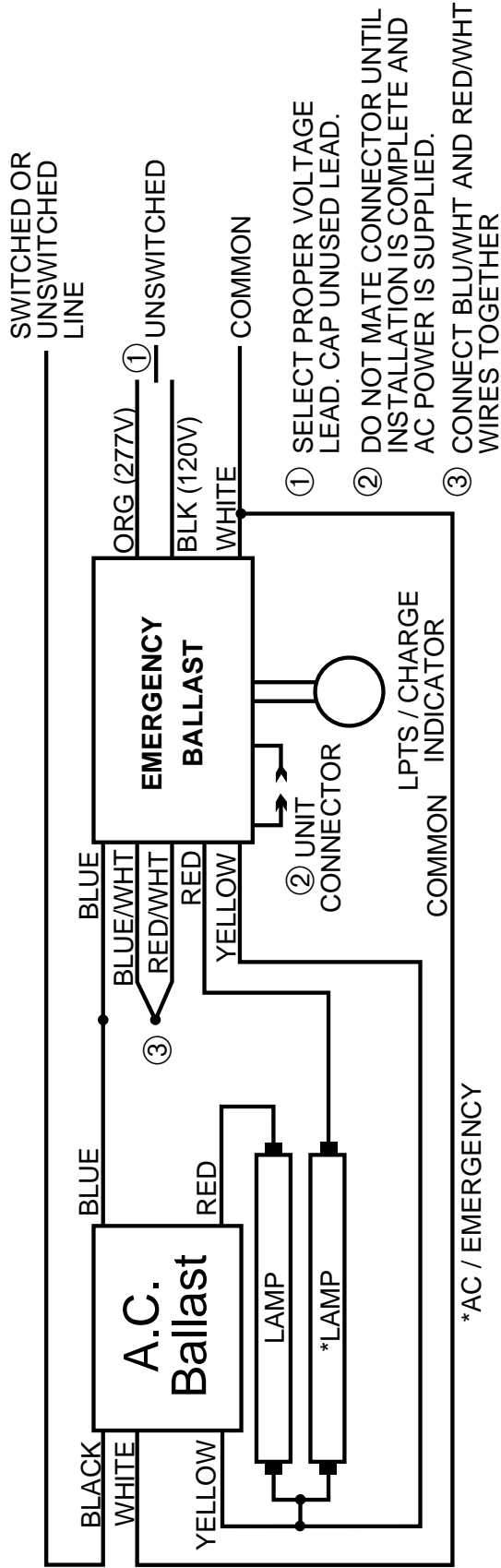


SYLVANIA
QT2X54PH0/277PH0-DIM

ALL COMPATIBLE BALLASTS MAY NOT BE LISTED.
*DIMMING CONTROL WIRES ARE NOT AFFECTED BY EM PACK

2 LISBESI

TWO LAMP INSTANT START BALLAST



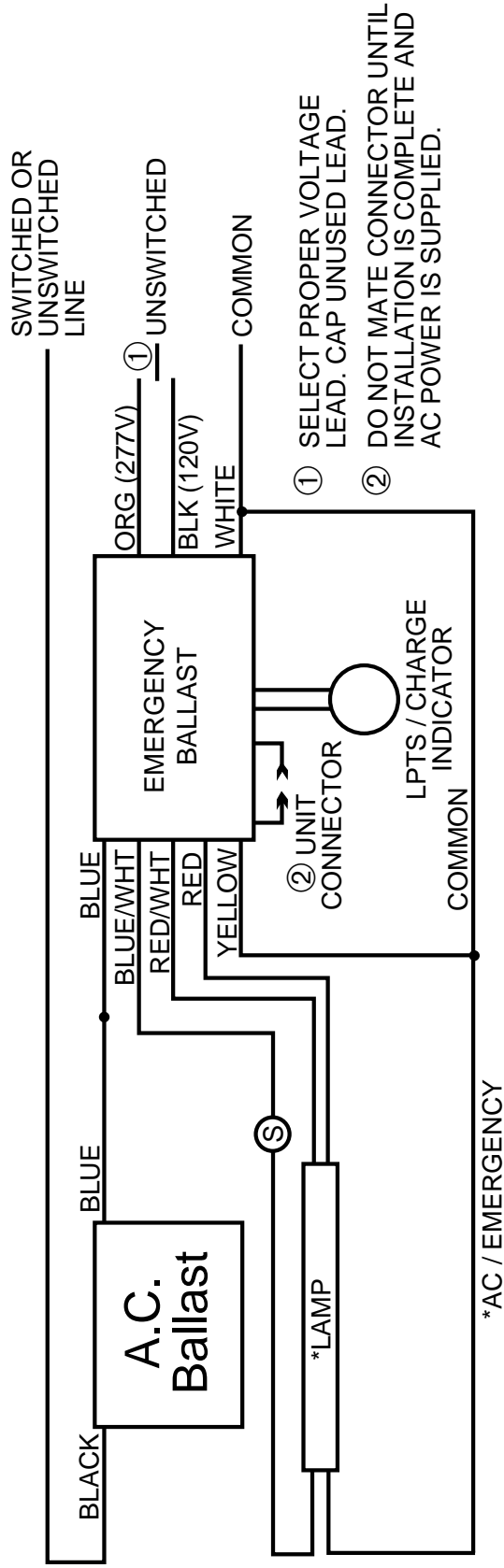
ENERGY SAVINGS

ES-2/1-T8-32/25/17/15-UNV-A-IS

ALL COMPATIBLE BALLASTS MAY NOT BE LISTED.
*DIMMING CONTROL WIRES ARE NOT AFFECTED BY EM PACK

1LPHSB_2

ONE LAMP PRE-HEAT START BALLAST

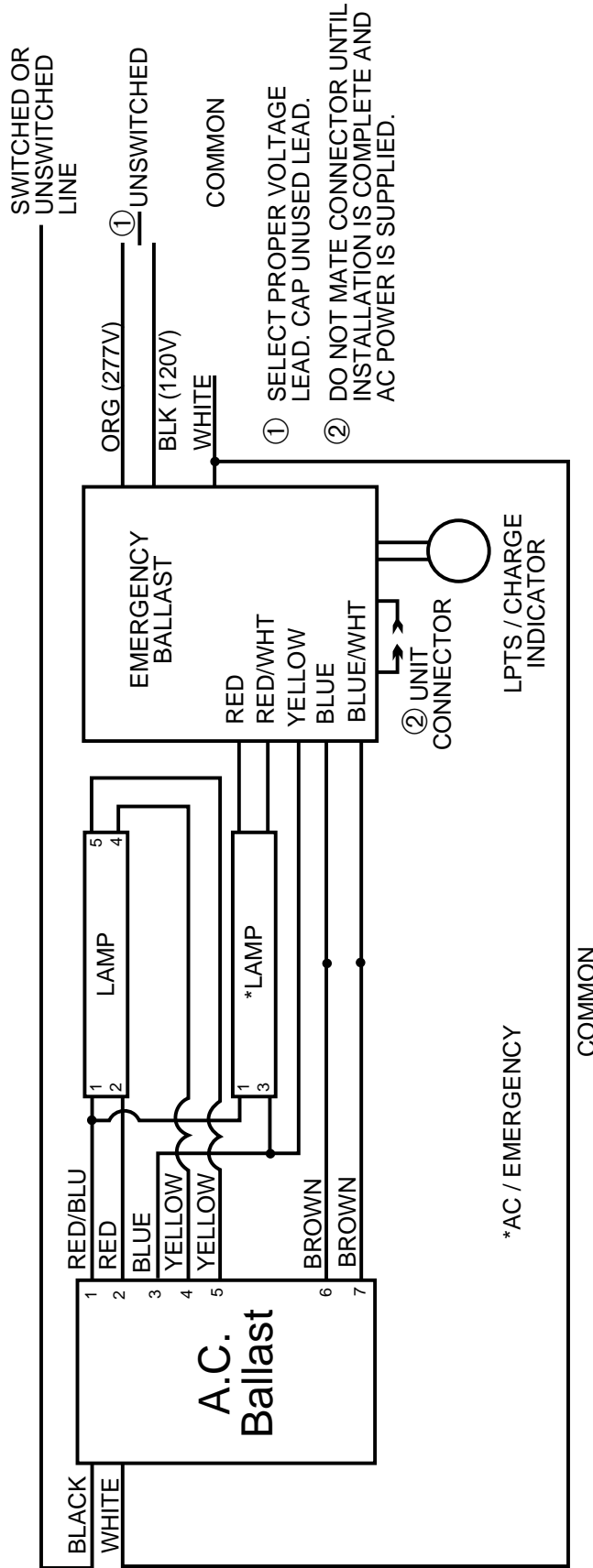


ADVANCE

LC-14-20-C

2LR5B_ACE

TWO LAMP RAPID START BALLAST



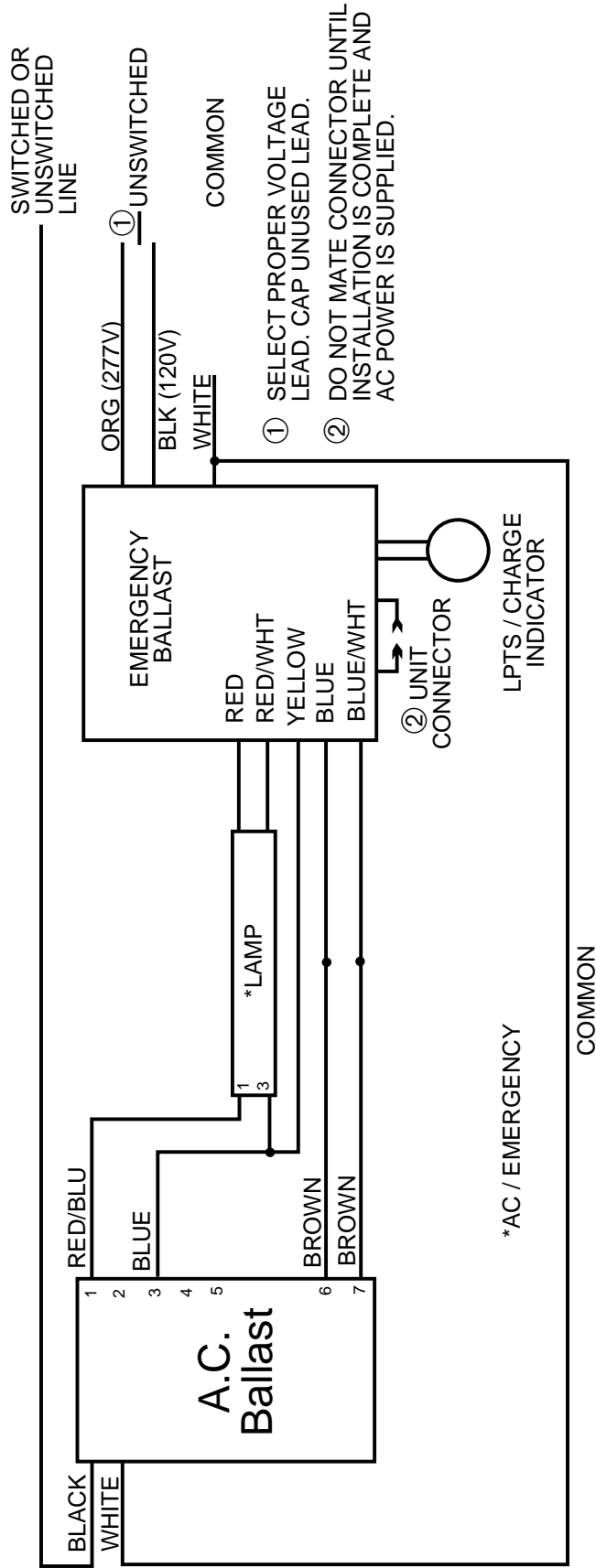
ANTRON / ACE

EPD-A54T5

ALL COMPATIBLE BALLASTS MAY NOT BE LISTED.
*DIMMING CONTROL WIRES ARE NOT AFFECTED BY EM PACK

1LR5B_ACE

ONE LAMP RAPID START BALLAST



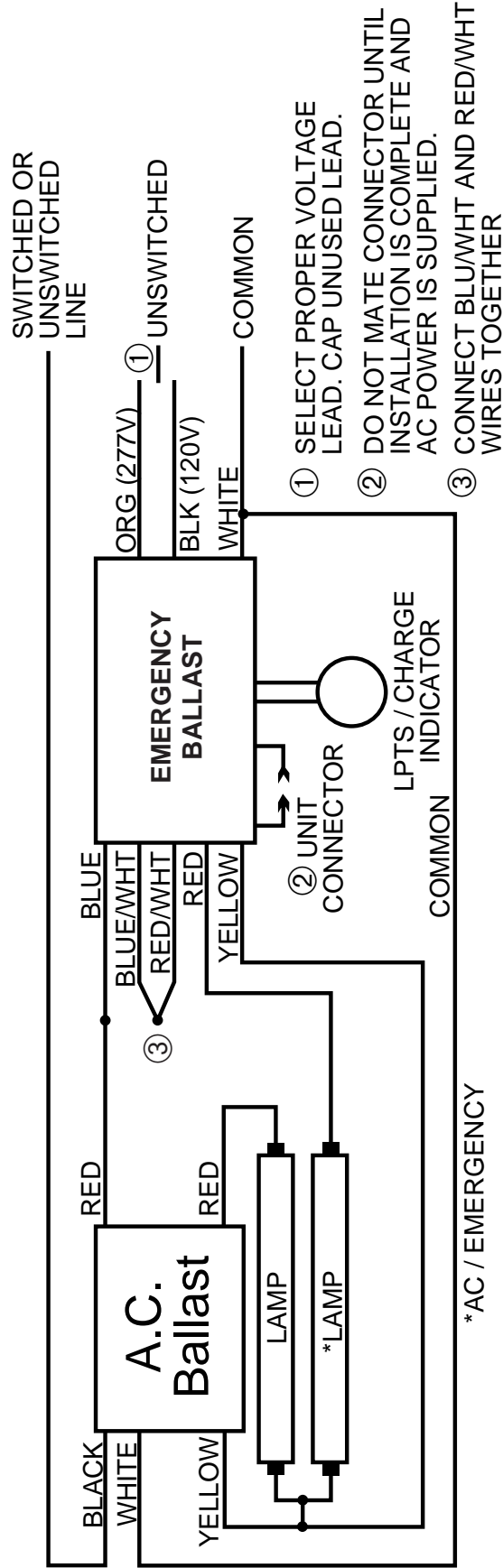
ANTRON / ACE

EPD-A54T5

ALL COMPATIBLE BALLASTS MAY NOT BE LISTED.
*DIMMING CONTROL WIRES ARE NOT AFFECTED BY EM PACK

2LISB2_F

TWO LAMP INSTANT START BALLAST



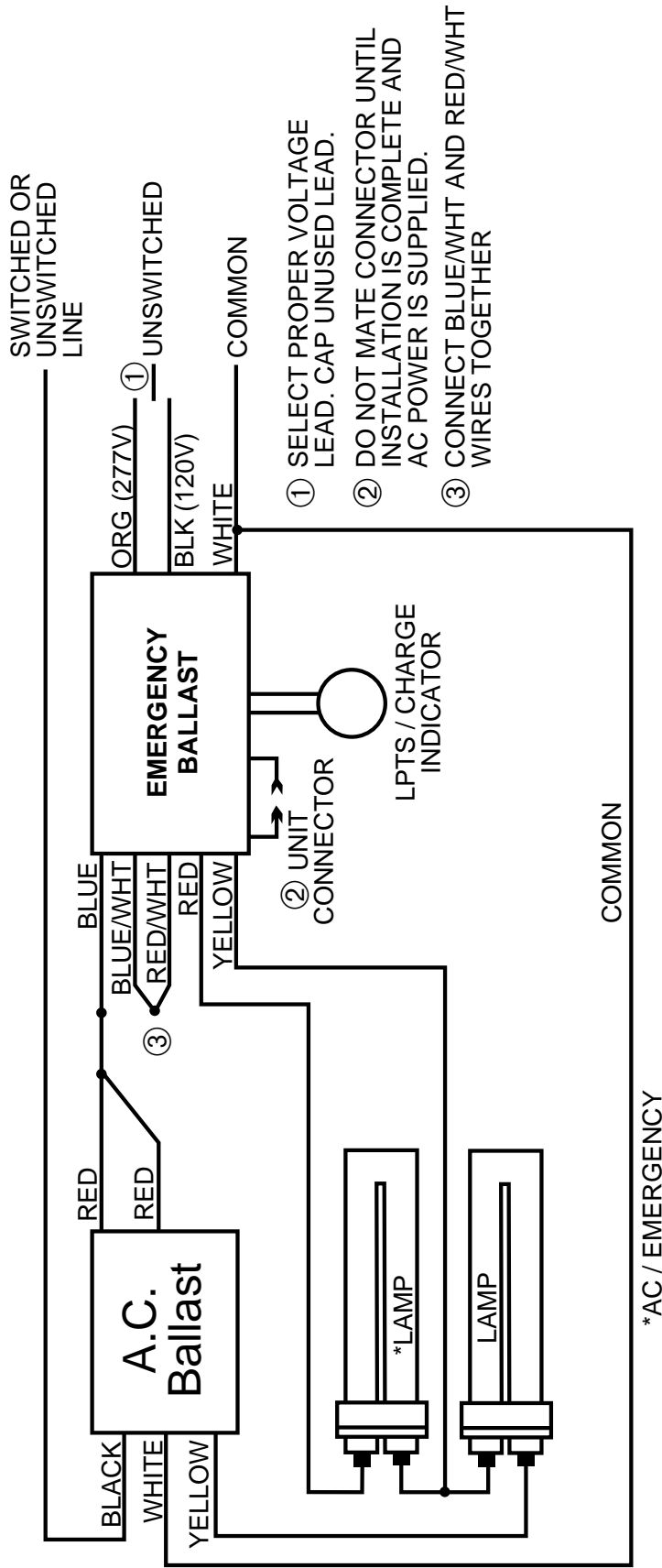
FULLHAM

WORKHORSE 3
WORKHORSE 4

ALL COMPATIBLE BALLASTS MAY NOT BE LISTED.
*DIMMING CONTROL WIRES ARE NOT AFFECTED BY EM PACK

2LISBX_FB

TWO BIAx LAMP INSTANT START FULLHAM BALLAST

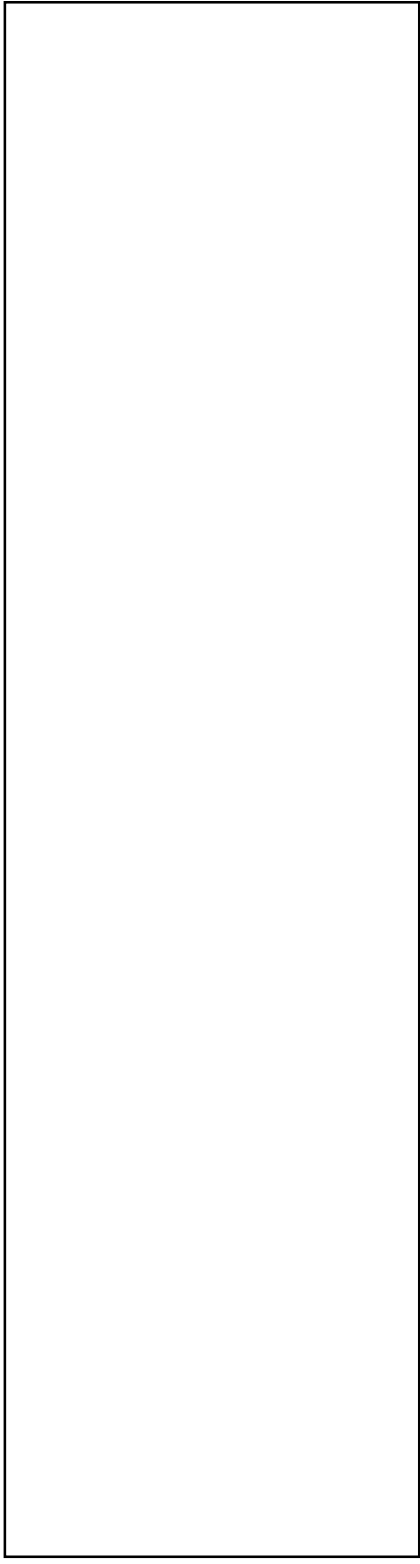
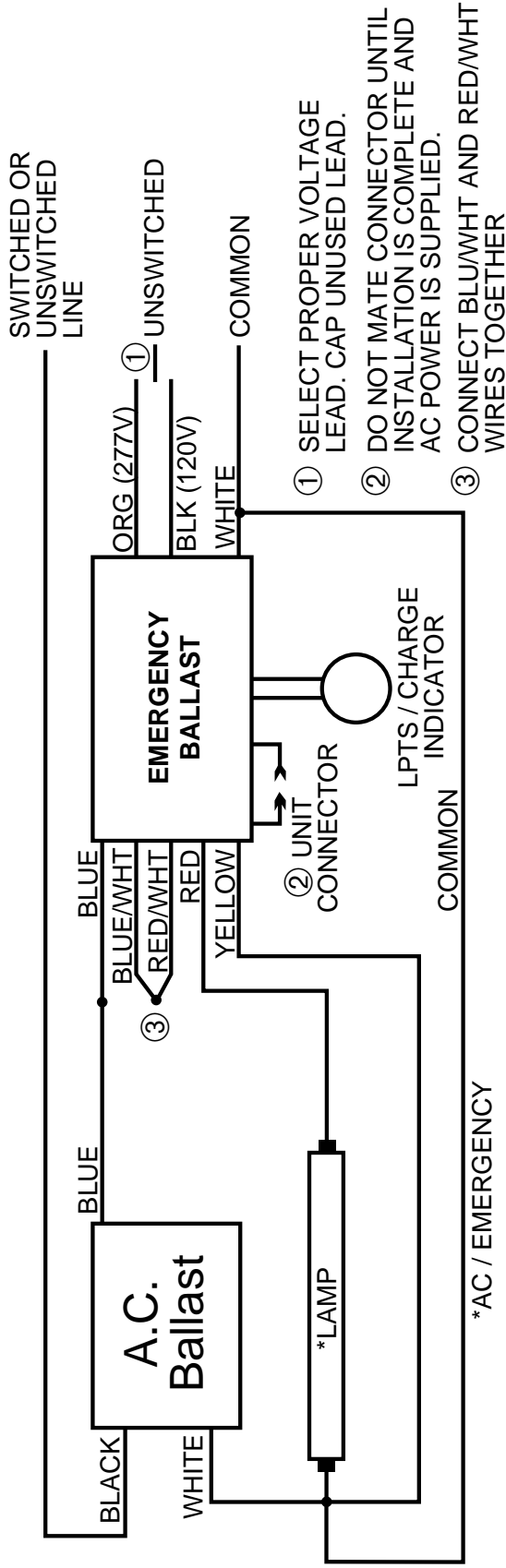


FULLHAM
WORKHORSE IV

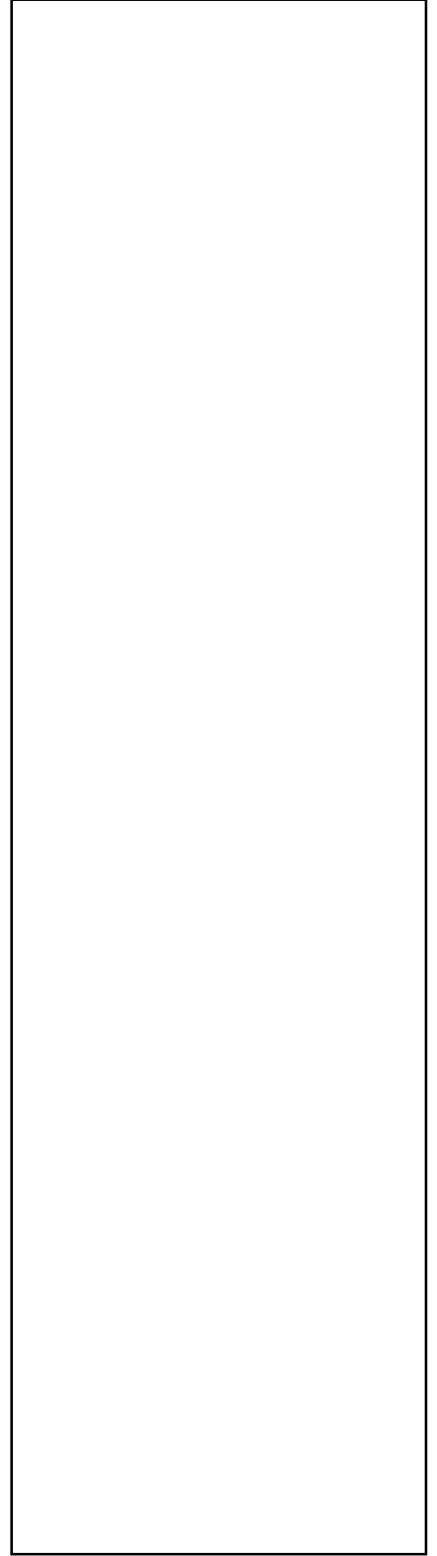
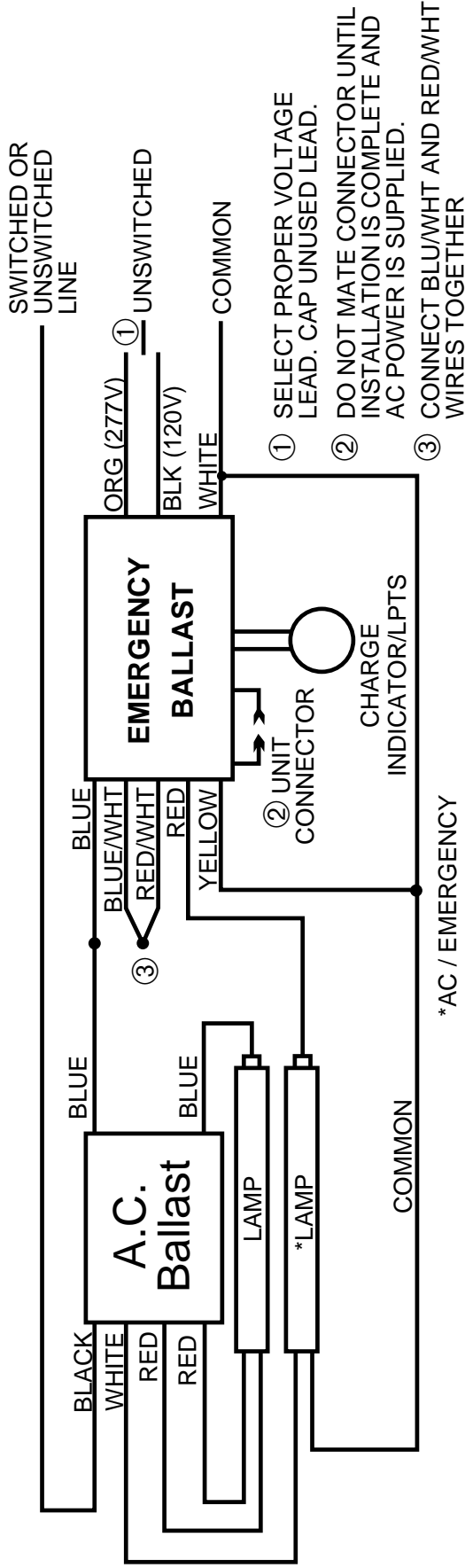
ALL COMPATIBLE BALLASTS MAY NOT BE LISTED.
*DIMMING CONTROL WIRES ARE NOT AFFECTED BY EM PACK

1LISB_2

ONE LAMP INSTANT START BALLAST

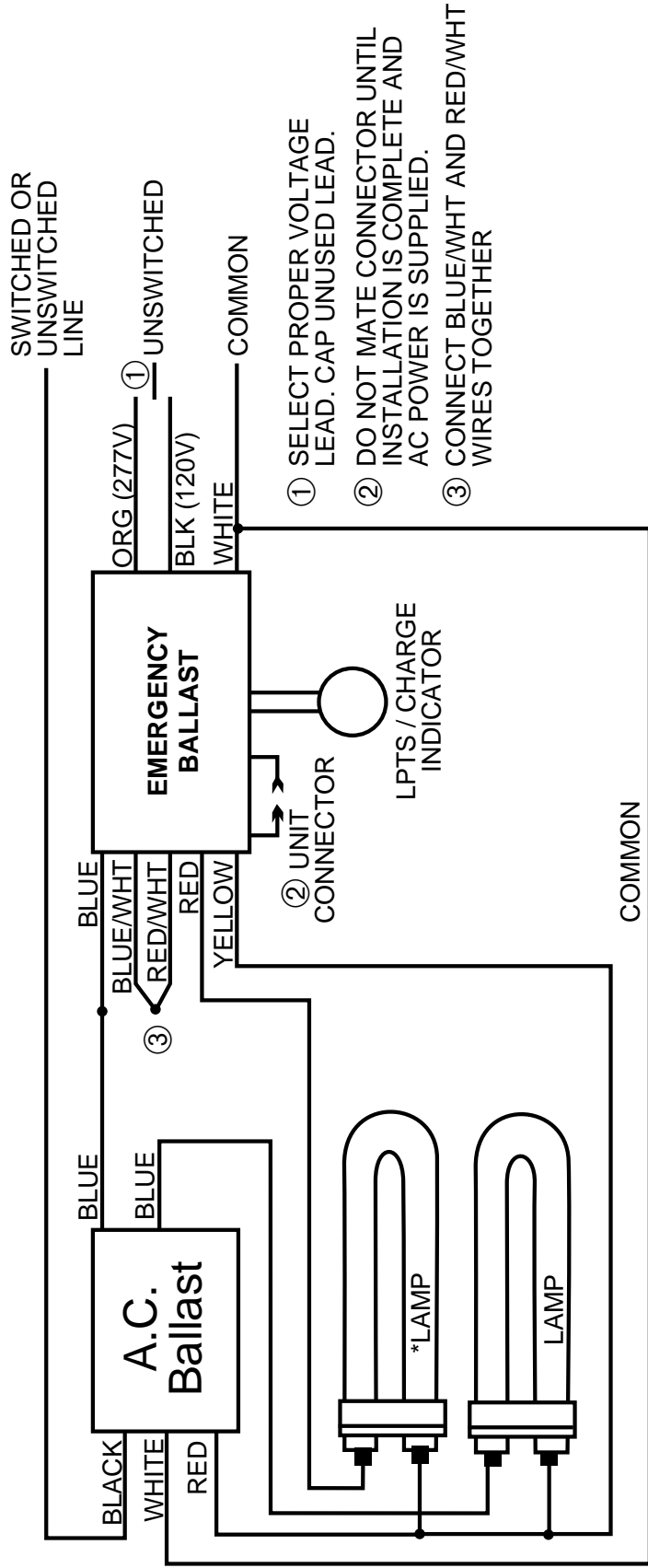


TWO LAMP SERIES LEAD BALLAST

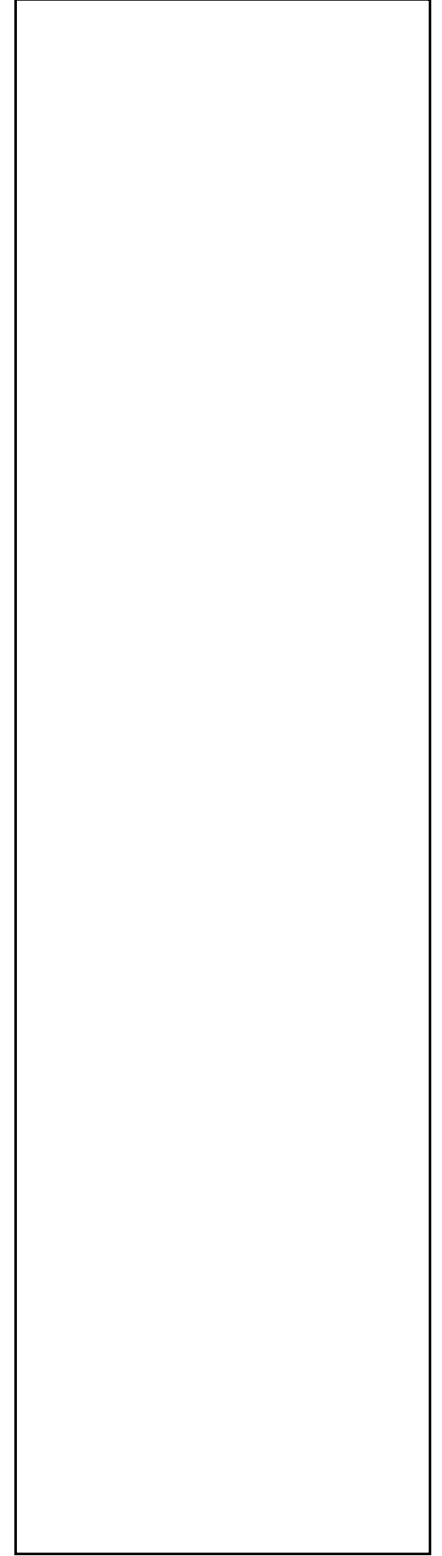


2LISU

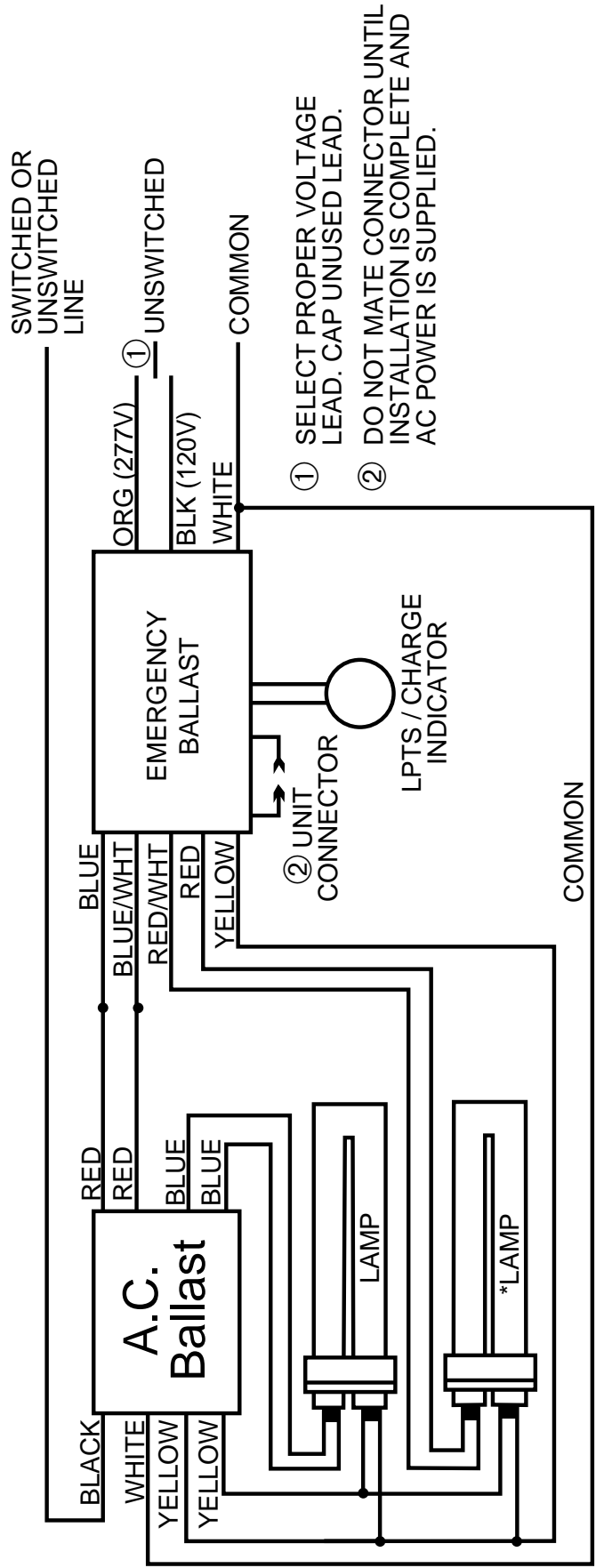
TWO U-BENT LAMP INSTANT START BALLAST



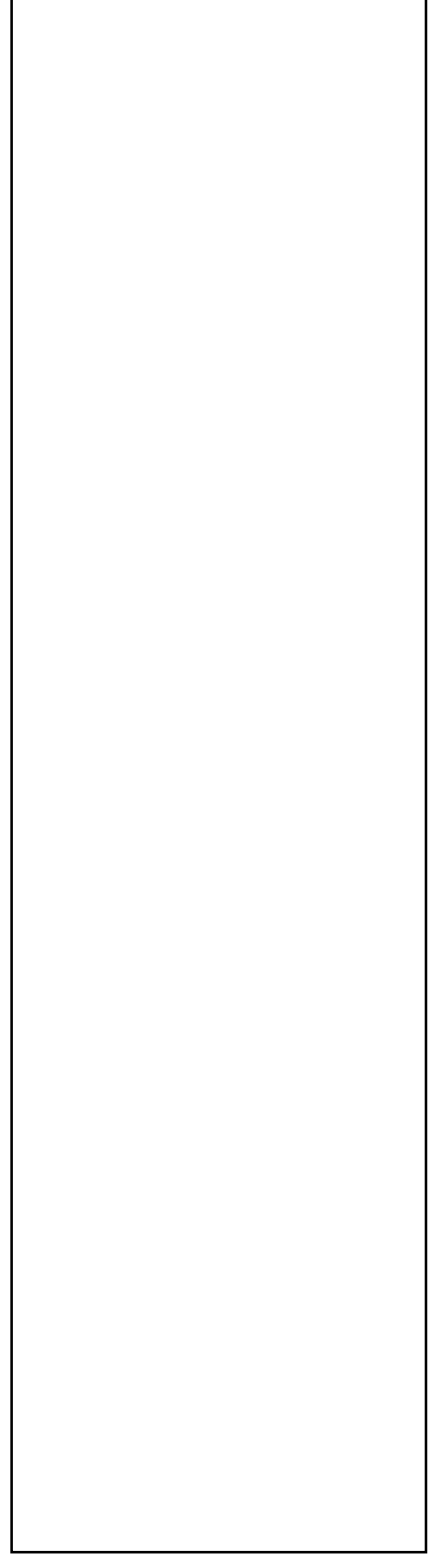
*AC / EMERGENCY



TWO BIAX RAPID START

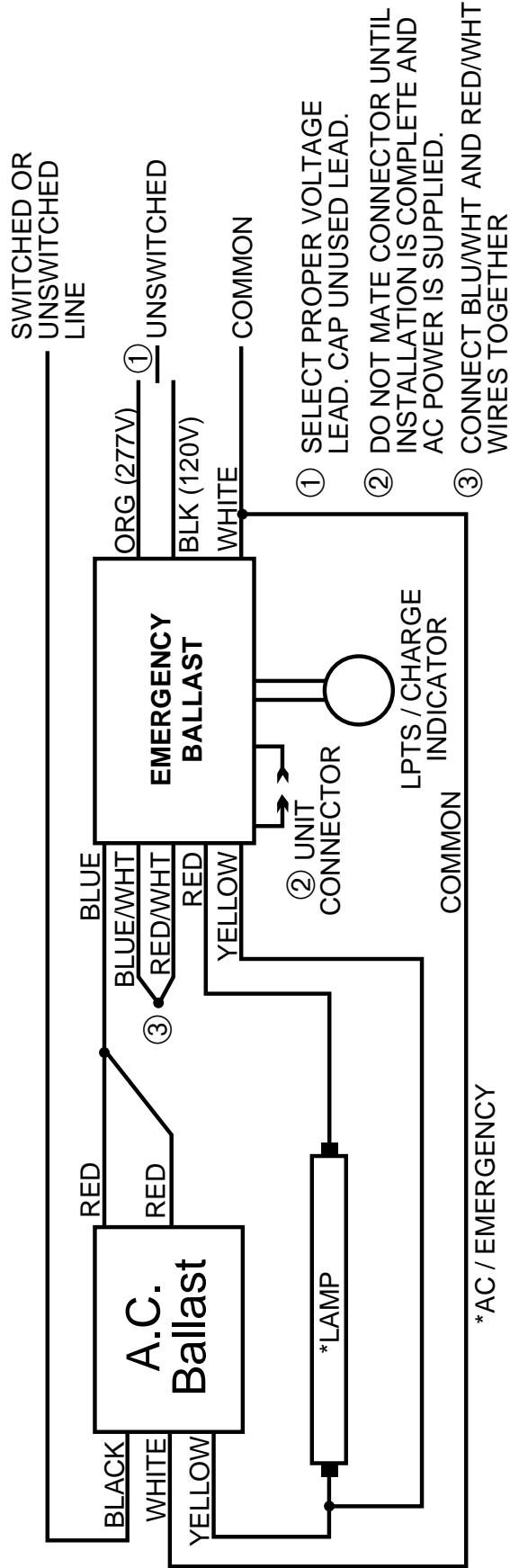


*AC / EMERGENCY



1LISB_F2

ONE LAMP INSTANT START FULLHAM BALLAST



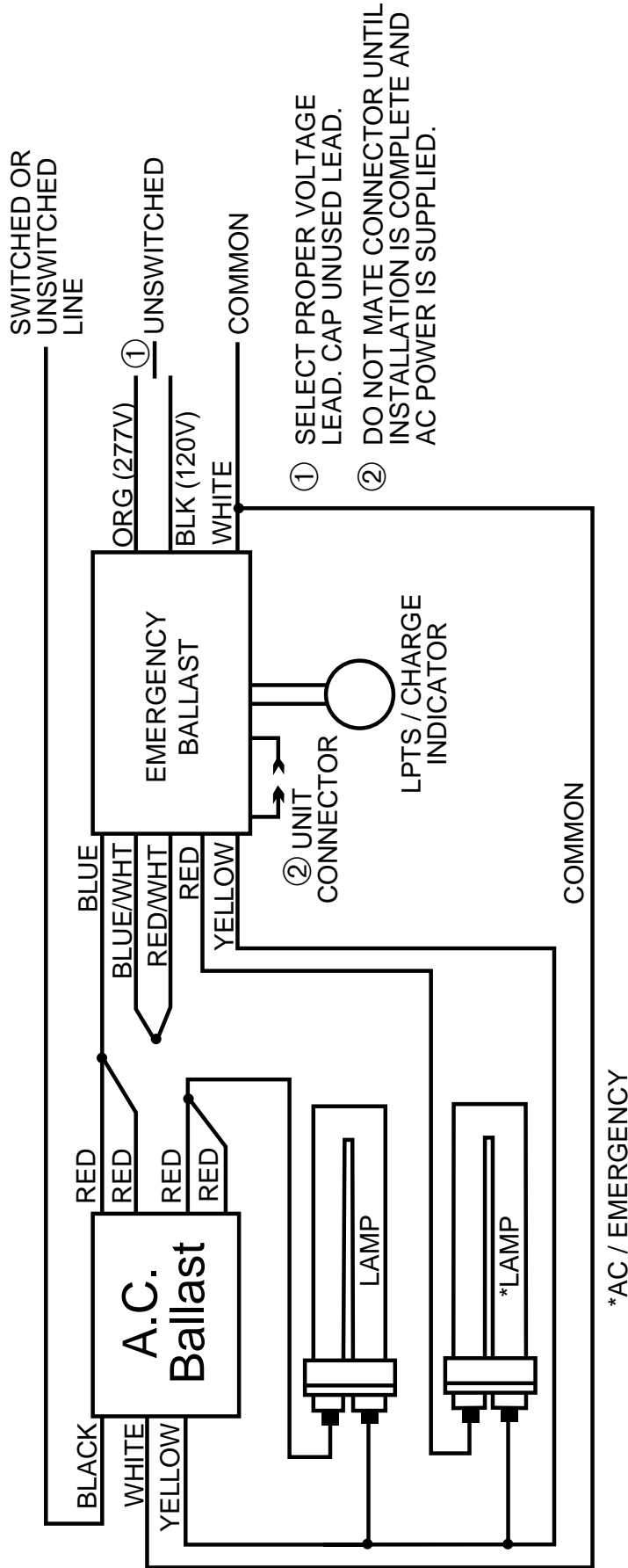
FULLHAM

WORKHORSE 3

ALL COMPATIBLE BALLASTS MAY NOT BE LISTED.
 *DIMMING CONTROL WIRES ARE NOT AFFECTED BY EM PACK

FW5B

FULLHAM WORKHORSE BALLAST

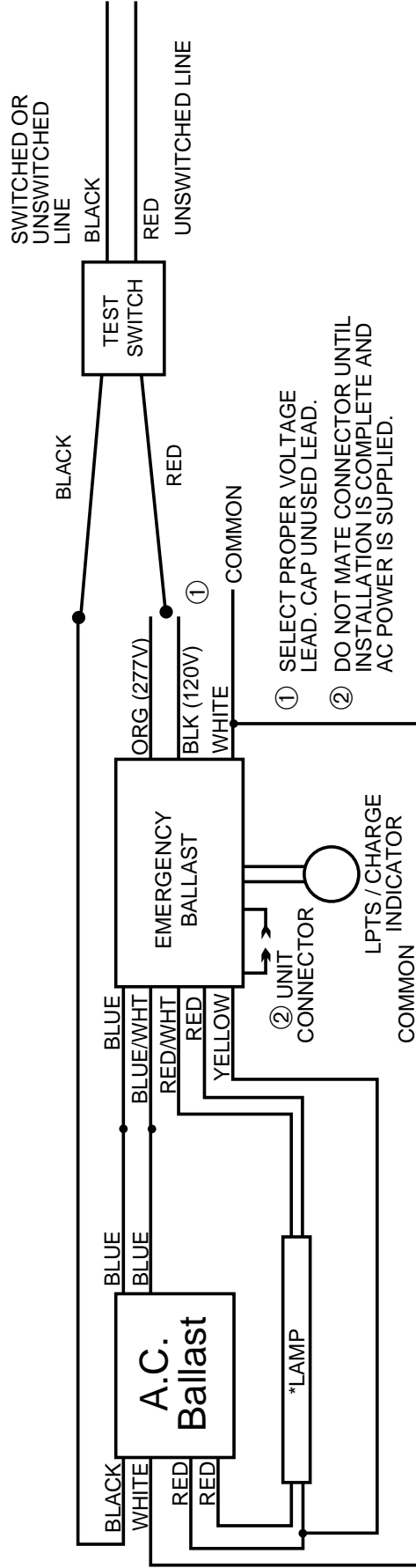


- ① SELECT PROPER VOLTAGE LEAD. CAP UNUSED LEAD.
- ② DO NOT MATE CONNECTOR UNTIL INSTALLATION IS COMPLETE AND AC POWER IS SUPPLIED.

FULLHAM
WORKHORSE 5
<p>ALL COMPATIBLE BALLASTS MAY NOT BE LISTED. *DIMMING CONTROL WIRES ARE NOT AFFECTED BY EM PACK</p>

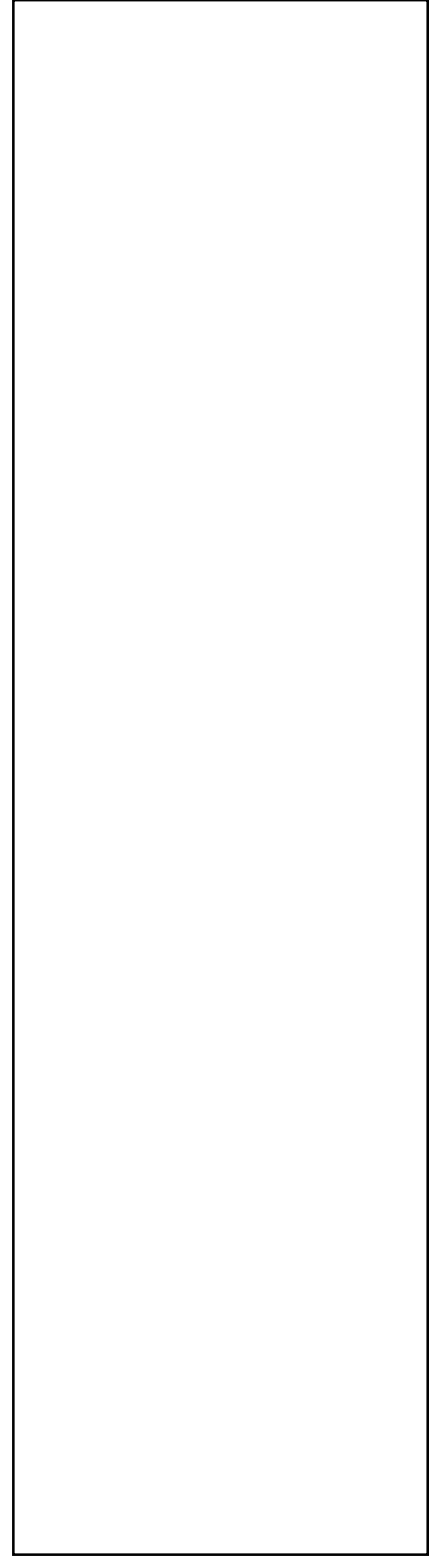
1LRSBWTS

ONE LAMP RAPID START BALLAST WITH TEST SWITCH



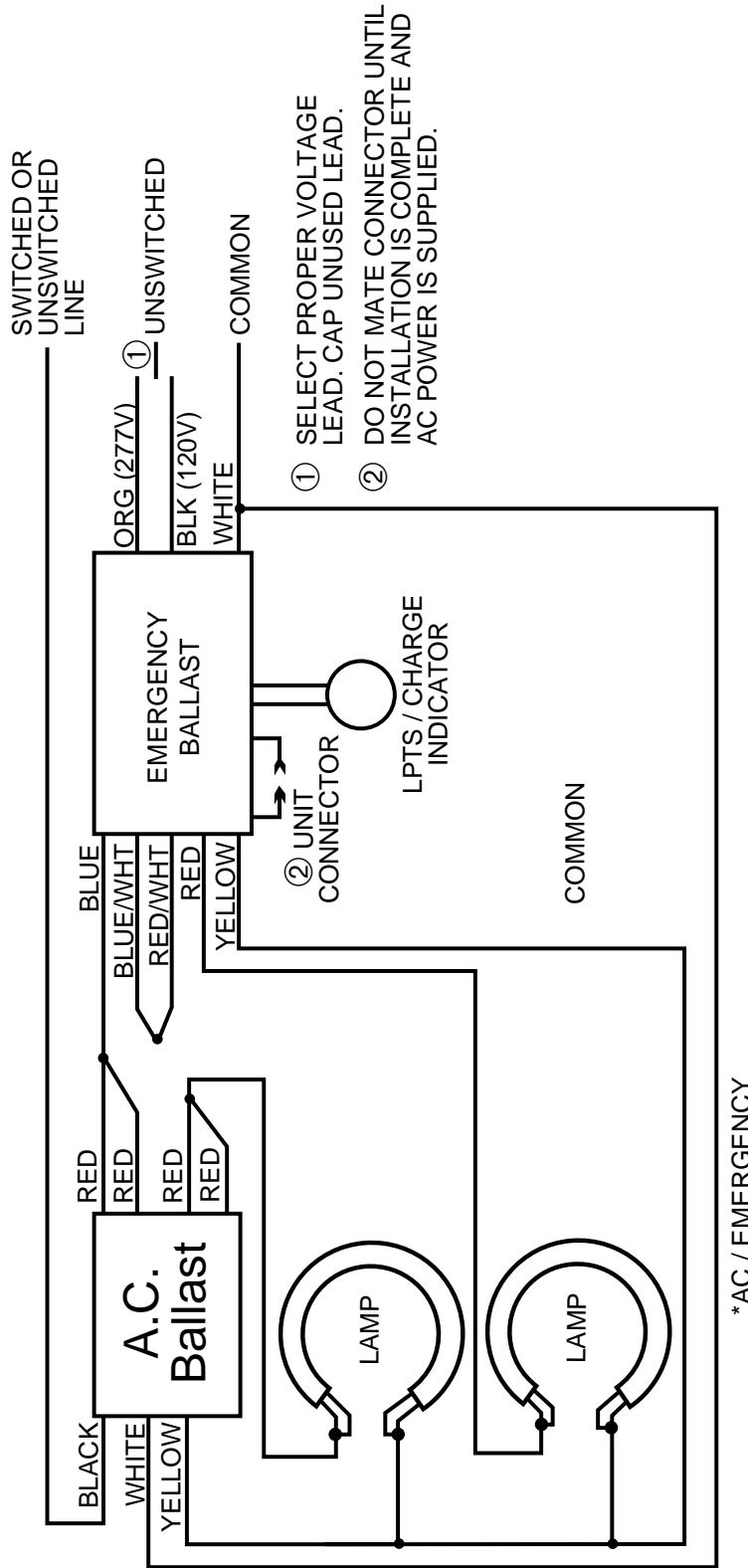
- ① SELECT PROPER VOLTAGE LEAD. CAP UNUSED LEAD.
- ② DO NOT MATE CONNECTOR UNTIL INSTALLATION IS COMPLETE AND AC POWER IS SUPPLIED.

*AC / EMERGENCY



FW5BC

FULLHAM WORKHORSE BALLAST WITH TWO CIRCLINE LAMPS



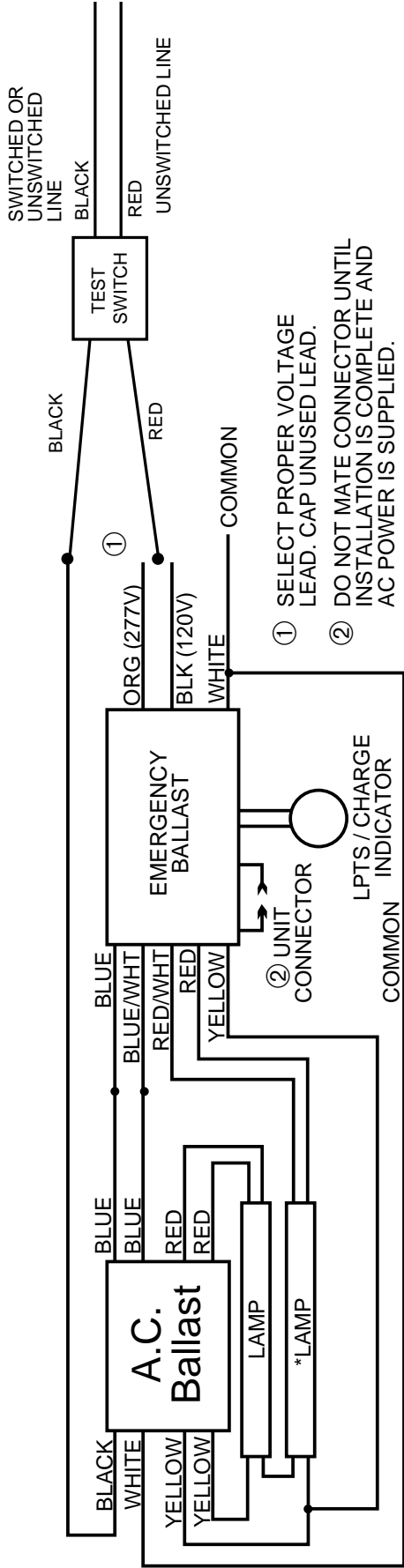
FULLHAM

WORKHORSE 5

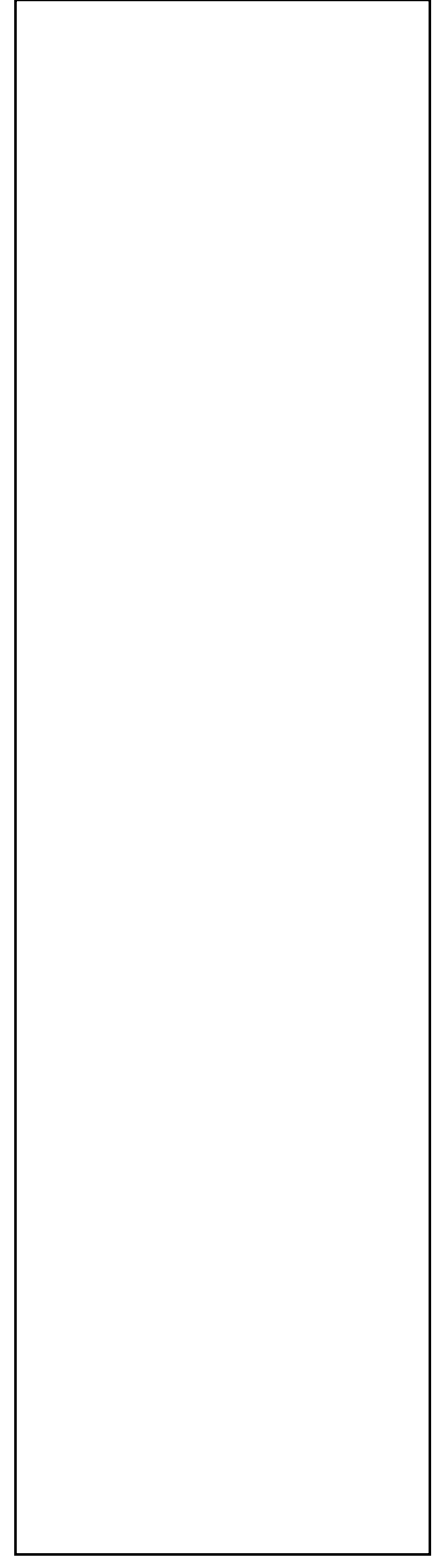
ALL COMPATIBLE BALLASTS MAY NOT BE LISTED.
*DIMMING CONTROL WIRES ARE NOT AFFECTED BY EM PACK

2LR5BWTS

TWO LAMP RAPID START BALLAST WITH TEST SWITCH

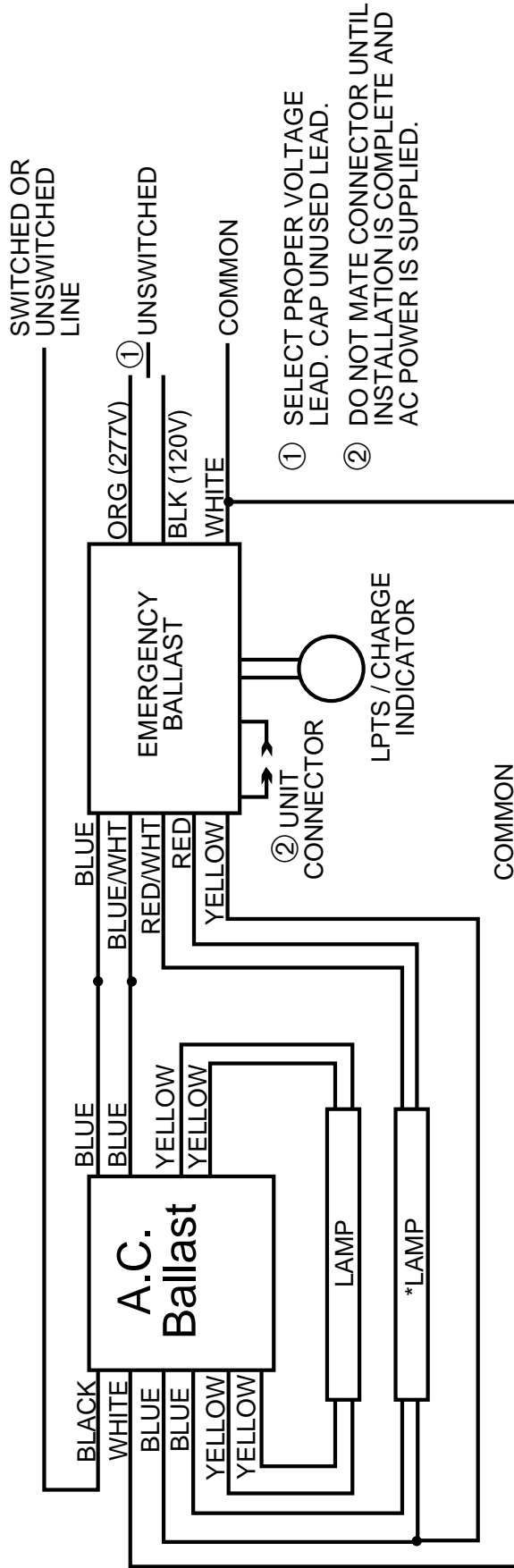


*AC / EMERGENCY



2LR5B4

TWO LAMP RAPID START BALLAST



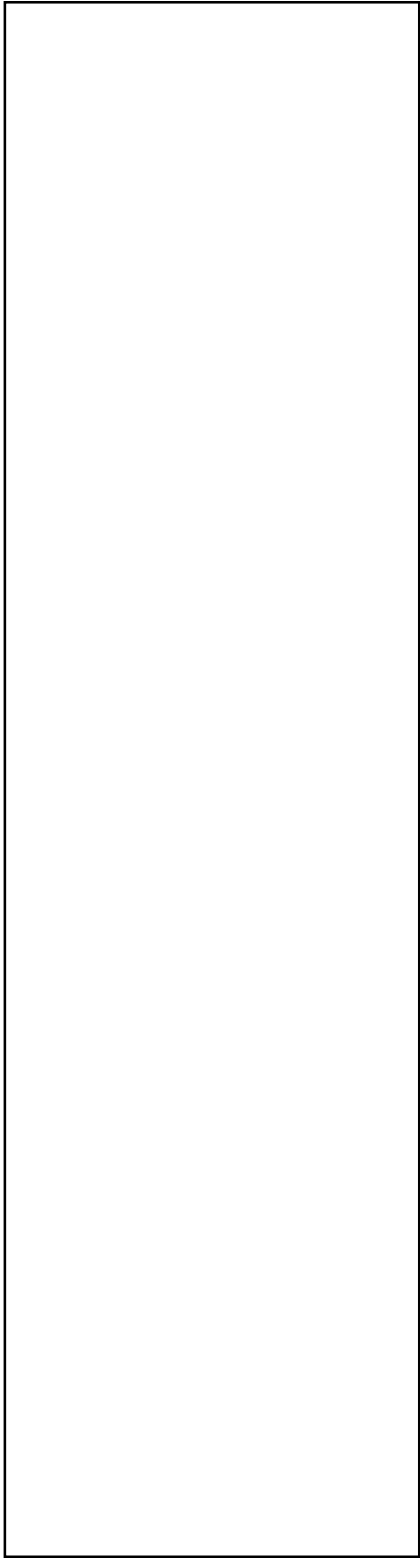
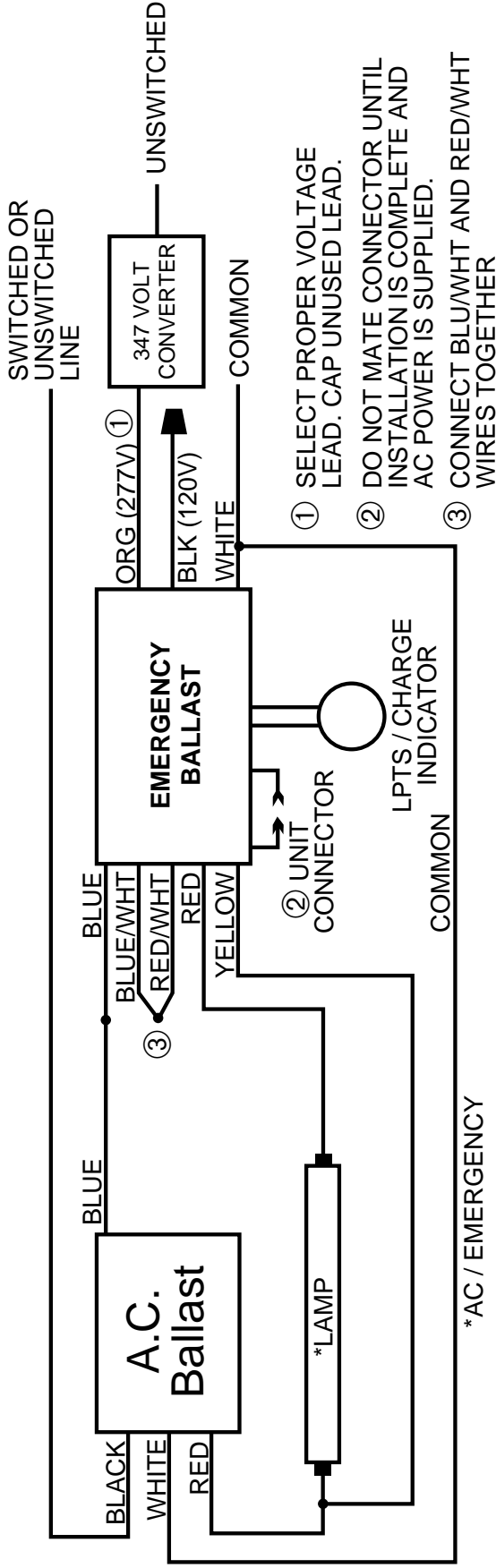
ELBA

ERP-232-L

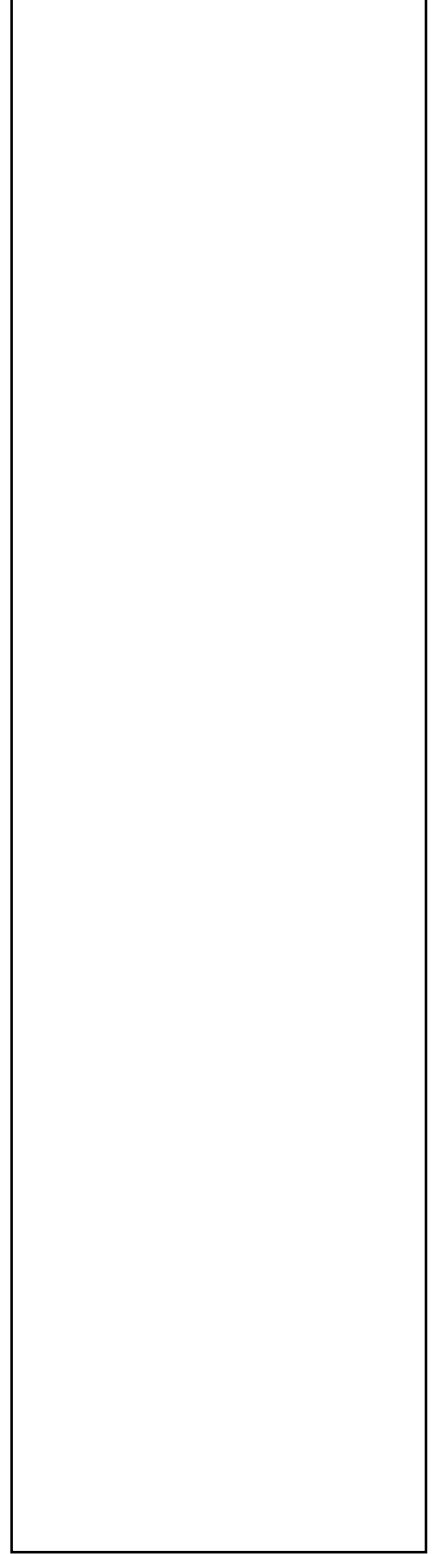
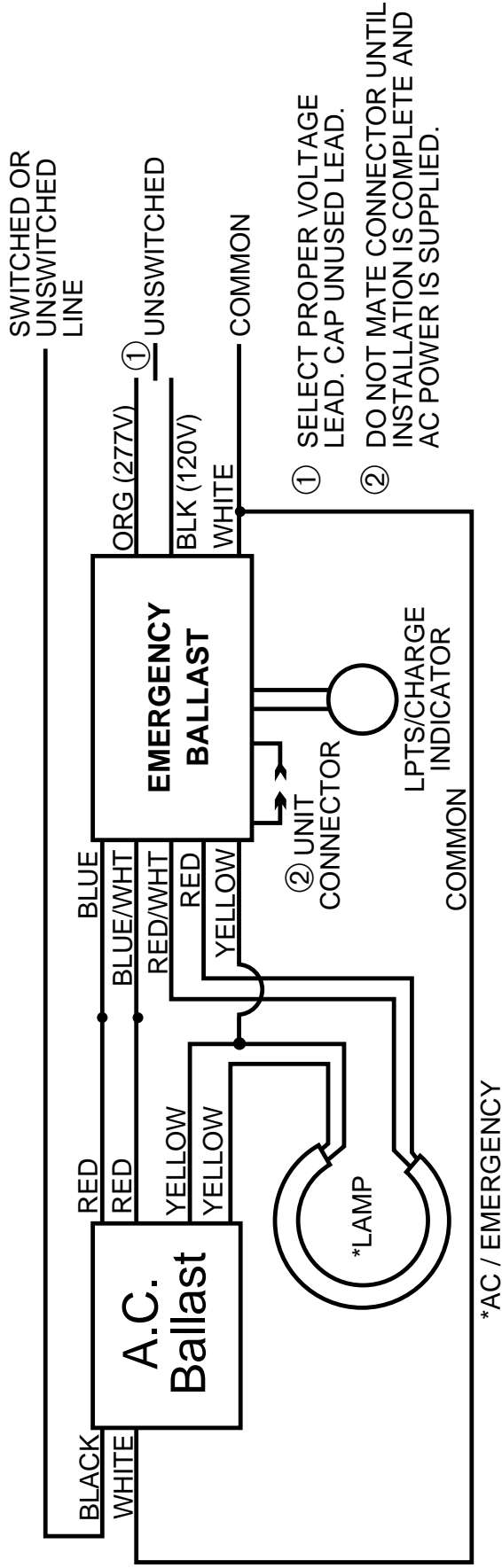
ALL COMPATIBLE BALLASTS MAY NOT BE LISTED.
*DIMMING CONTROL WIRES ARE NOT AFFECTED BY EM PACK

1LISB_347

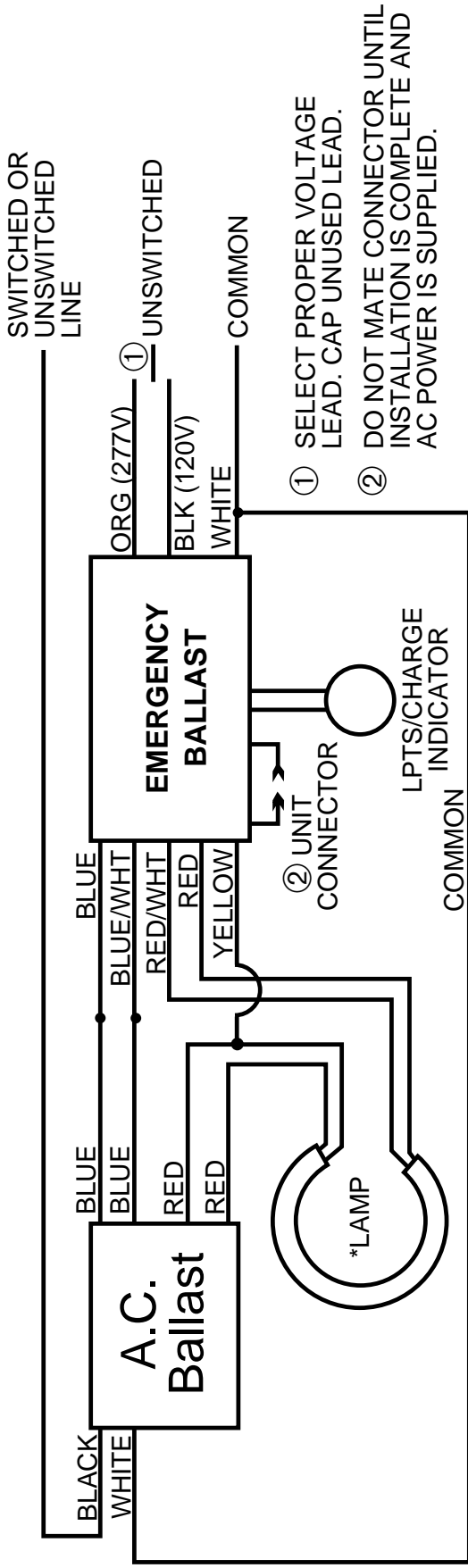
ONE LAMP INSTANT START BALLAST WITH 347V CONVERTER



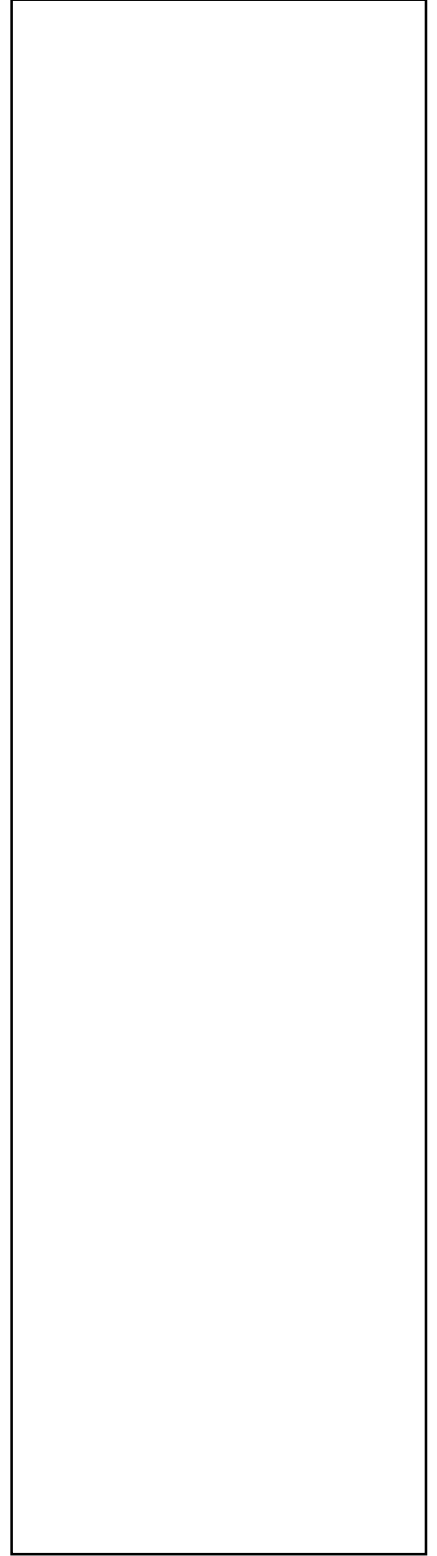
ONE LAMP CIRCLINE RAPID START BALLAST



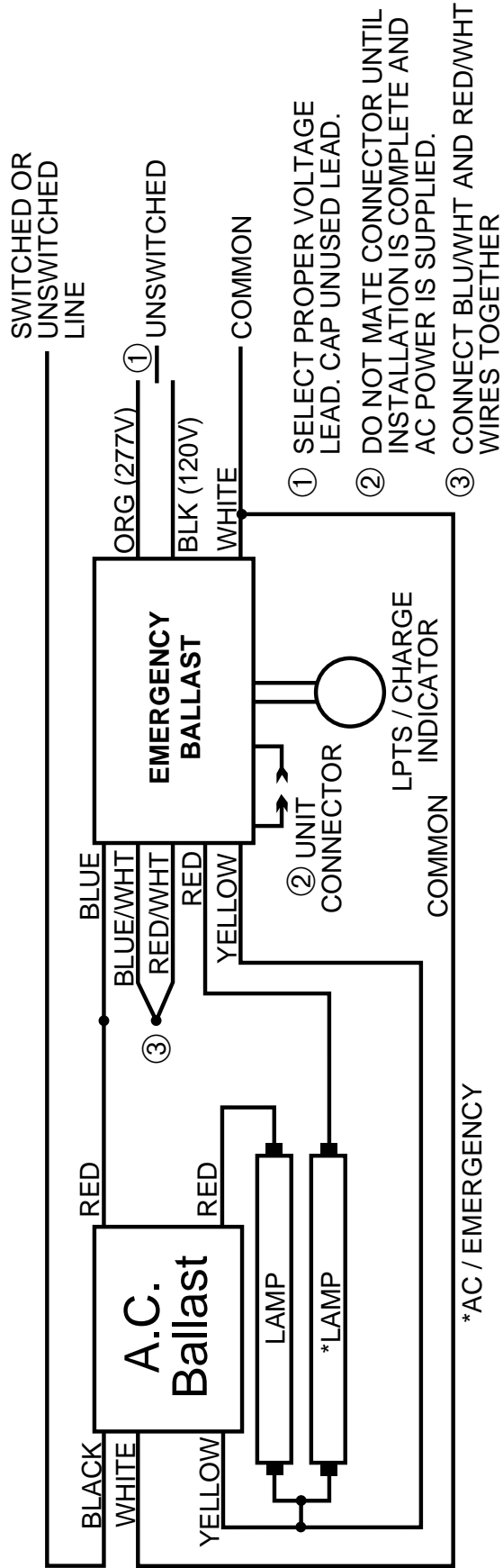
ONE LAMP CIRCLINE RAPID START BALLAST



*AC / EMERGENCY



TWO LAMP INSTANT START BALLAST

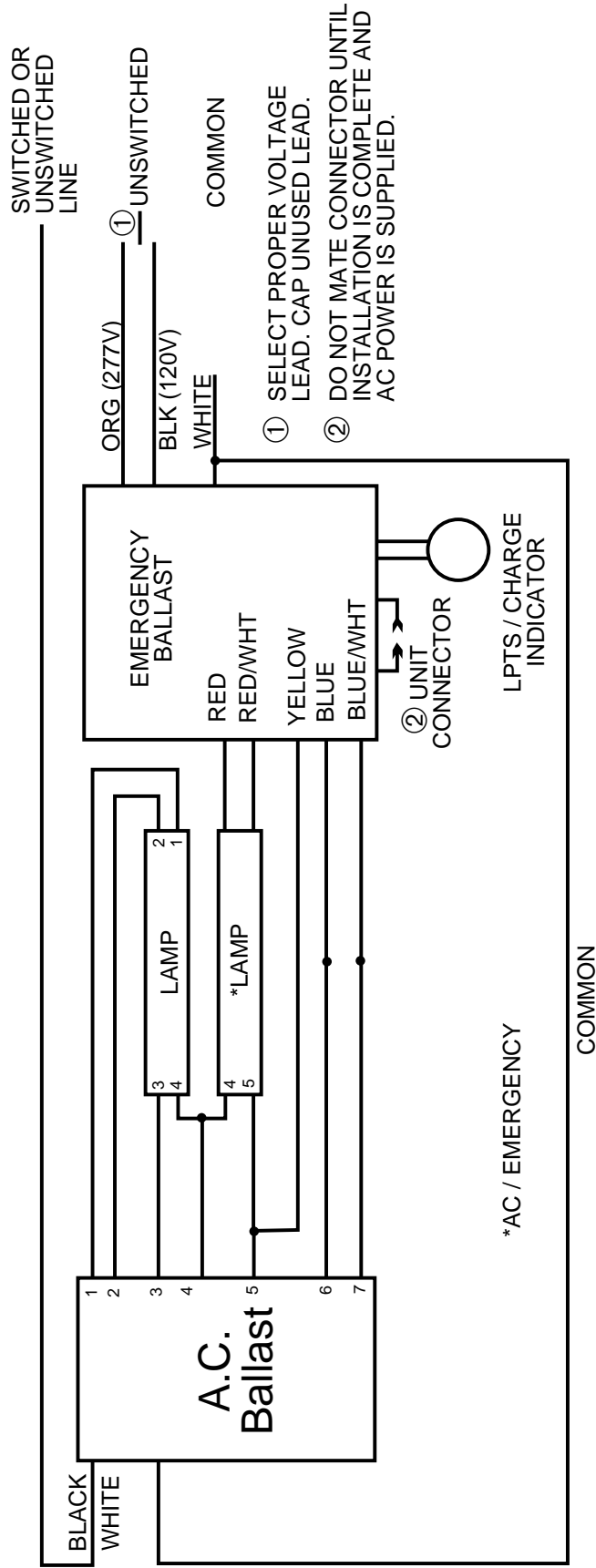


FULLHAM
WORKHORSE 4

ALL COMPATIBLE BALLASTS MAY NOT BE LISTED.
*DIMMING CONTROL WIRES ARE NOT AFFECTED BY EM PACK

2LR5B_ACE_2

TWO LAMP RAPID START BALLAST



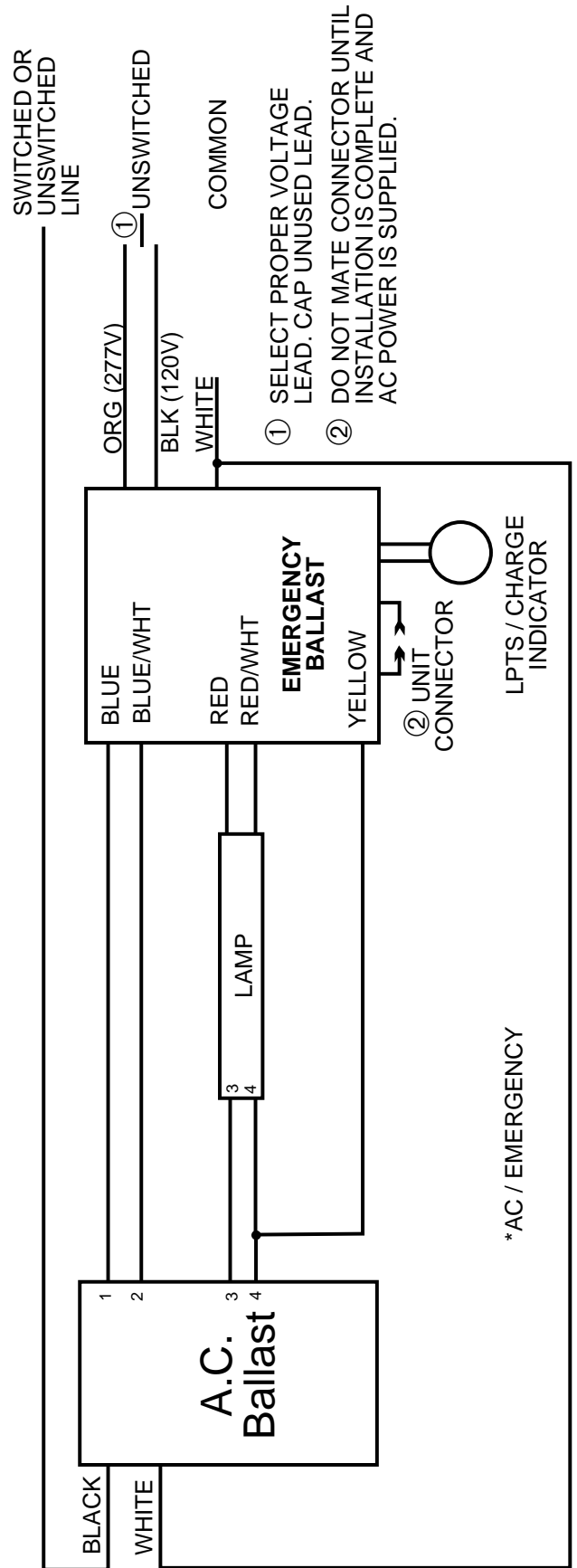
ANTRON / ACE

EPD-B54T5

ALL COMPATIBLE BALLASTS MAY NOT BE LISTED.
 *DIMMING CONTROL WIRES ARE NOT AFFECTED BY
 EM PACK

1LR5B_ACE_2

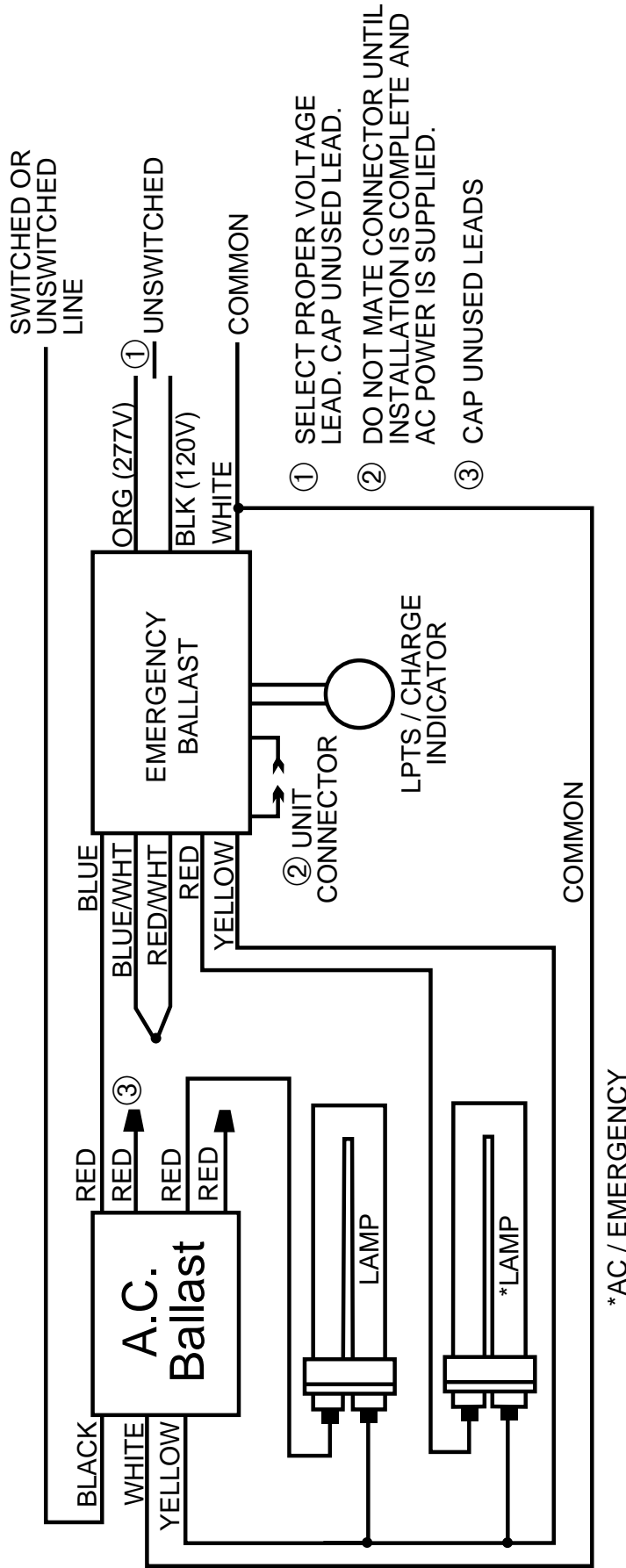
ONE LAMP RAPID START BALLAST



ANTRON / ACE
EPD-B54T5

ALL COMPATIBLE BALLASTS MAY NOT BE LISTED.
*DIMMING CONTROL WIRES ARE NOT AFFECTED BY EM PACK

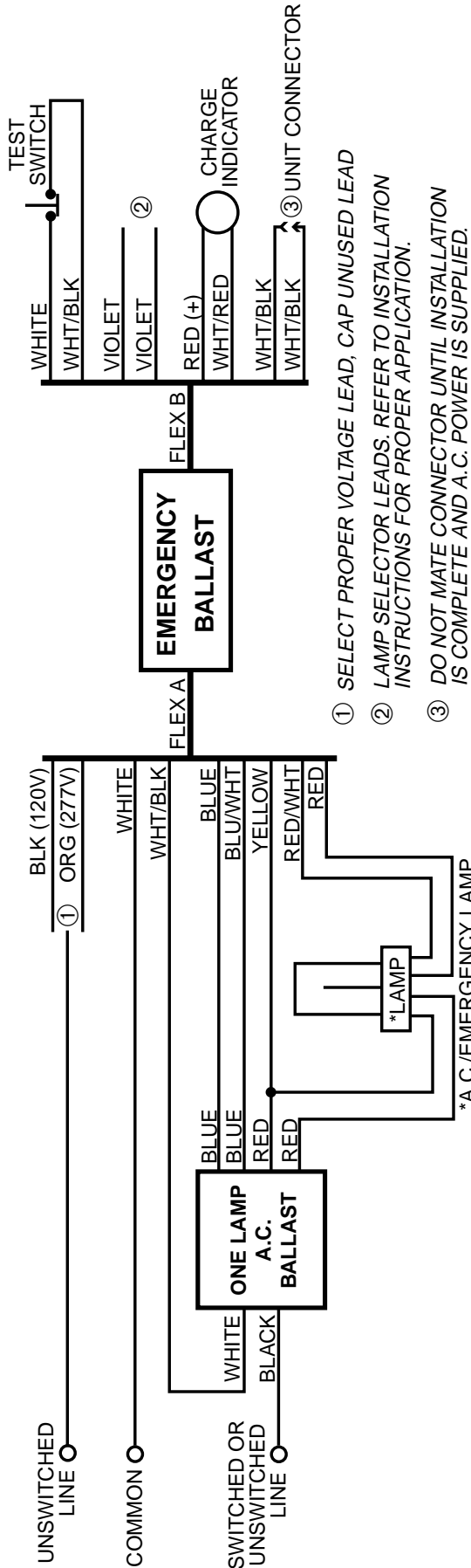
FULLHAM WORKHORSE BALLAST



FULLHAM
WORKHORSE 5

ALL COMPATIBLE BALLASTS MAY NOT BE LISTED.
*DIMMING CONTROL WIRES ARE NOT AFFECTED BY EM PACK

ONE LAMP RAPID START BALLAST



- ① SELECT PROPER VOLTAGE LEAD, CAP UNUSED LEAD
- ② LAMP SELECTOR LEADS, REFER TO INSTALLATION INSTRUCTIONS FOR PROPER APPLICATION.
- ③ DO NOT MATE CONNECTOR UNTIL INSTALLATION IS COMPLETE AND A.C. POWER IS SUPPLIED.

EBT

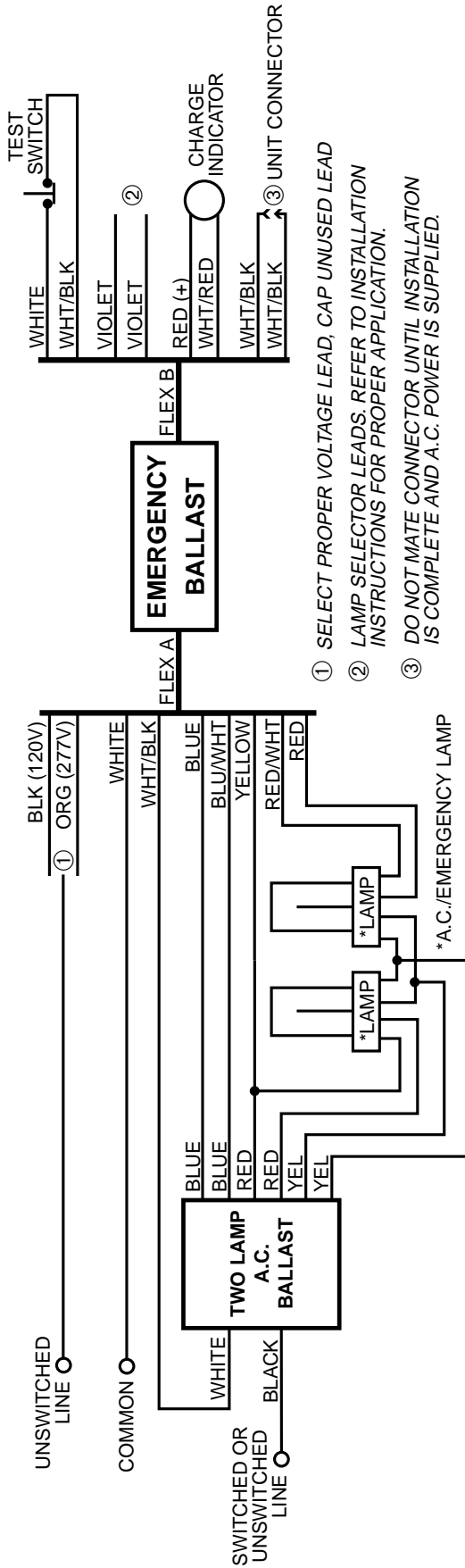
- SSB6-120/277-1/13 LH
- SSB6-120/277-1/18 LH
- SSB6-120/277-1/26 LH

MOTOROLA

- M1-CF-13-S-120/277
- M1-CF-18-S-120/277
- M1-CF-26-S-120/277
- M1-CF-32-S-120/277
- M1-CF-42-S-120/277

ALL COMPATIBLE BALLASTS MAY NOT BE LISTED.
 *DIMMING CONTROL WIRES ARE NOT AFFECTED BY EM PACK

TWO LAMP RAPID START BALLAST WITH TWO LAMP EMERGENCY OPERATION



- ① SELECT PROPER VOLTAGE LEAD, CAP UNUSED LEAD
- ② LAMP SELECTOR LEADS, REFER TO INSTALLATION INSTRUCTIONS FOR PROPER APPLICATION.
- ③ DO NOT MATE CONNECTOR UNTIL INSTALLATION IS COMPLETE AND A.C. POWER IS SUPPLIED.

ADVANCE

REL/VEL-2Q13-RH-TP
 REL/VEL-2Q18-RH-TP
 REL/VEL-2Q26-RH-TP

EBT

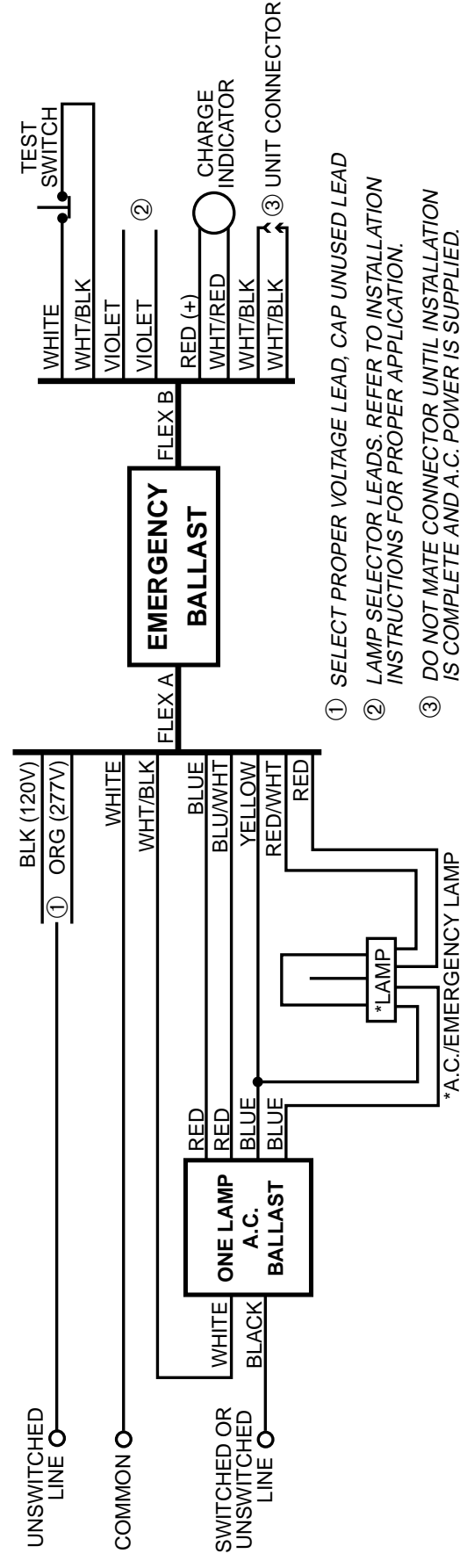
SSB6-120/277-2/13 LH
 SSB6-120/277-2/18 LH
 SSB6-120/277-2/26 LH

MOTOROLA

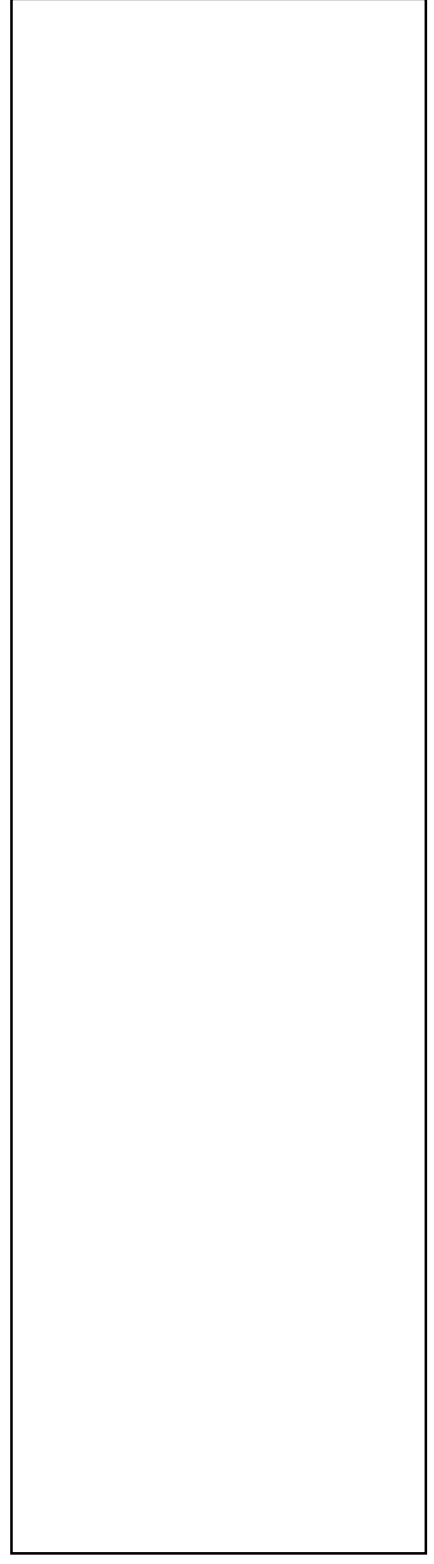
M2-CF-13-S-120/277
 M2-CF-18-S-120/277
 M2-CF-26-S-120/277

ALL COMPATIBLE BALLASTS MAY NOT BE LISTED.
 *DIMMING CONTROL WIRES ARE NOT AFFECTED BY EM PACK

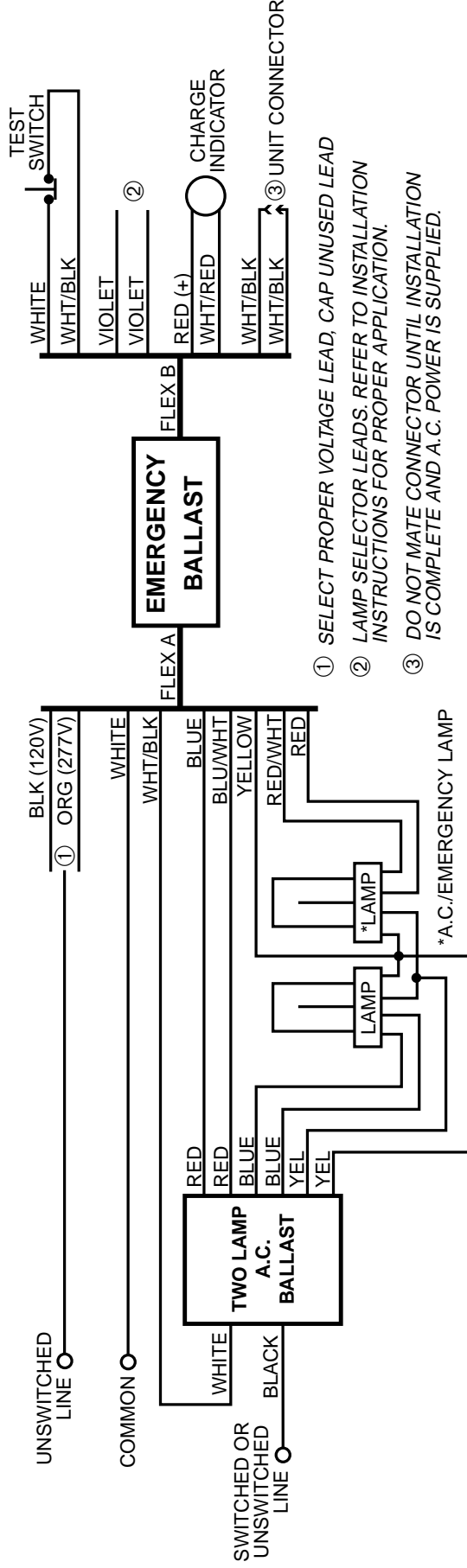
ONE LAMP RAPID START BALLAST



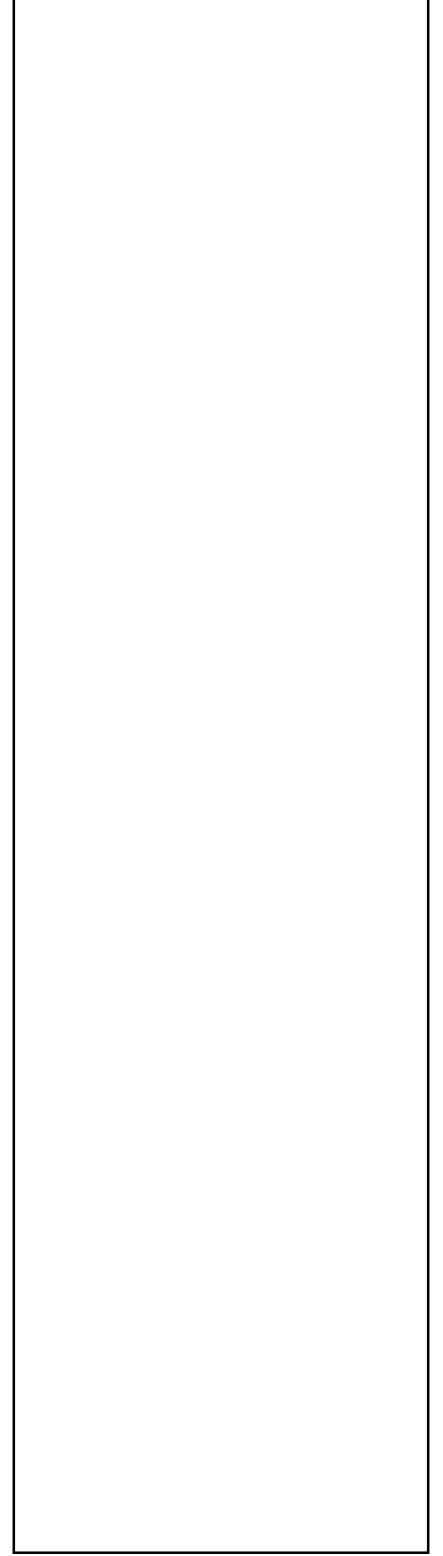
- ① SELECT PROPER VOLTAGE LEAD; CAP UNUSED LEAD
- ② LAMP SELECTOR LEADS. REFER TO INSTALLATION INSTRUCTIONS FOR PROPER APPLICATION.
- ③ DO NOT MATE CONNECTOR UNTIL INSTALLATION IS COMPLETE AND A.C. POWER IS SUPPLIED.



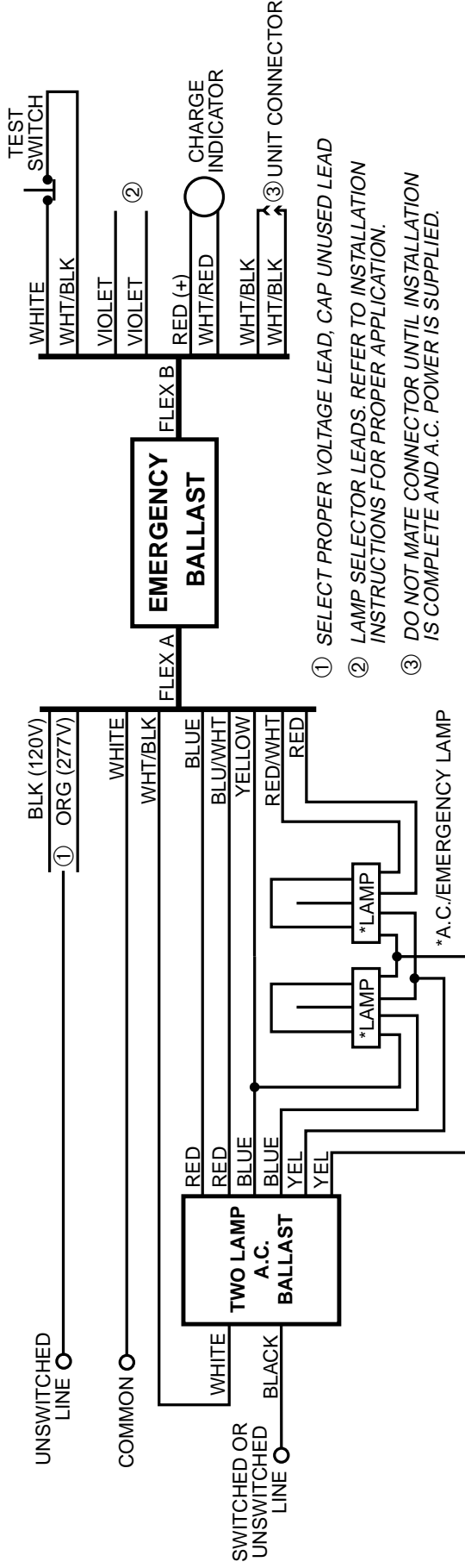
TWO LAMP RAPID START BALLAST WITH MICROPROCESSOR ONE LAMP EMERGENCY OPERATION



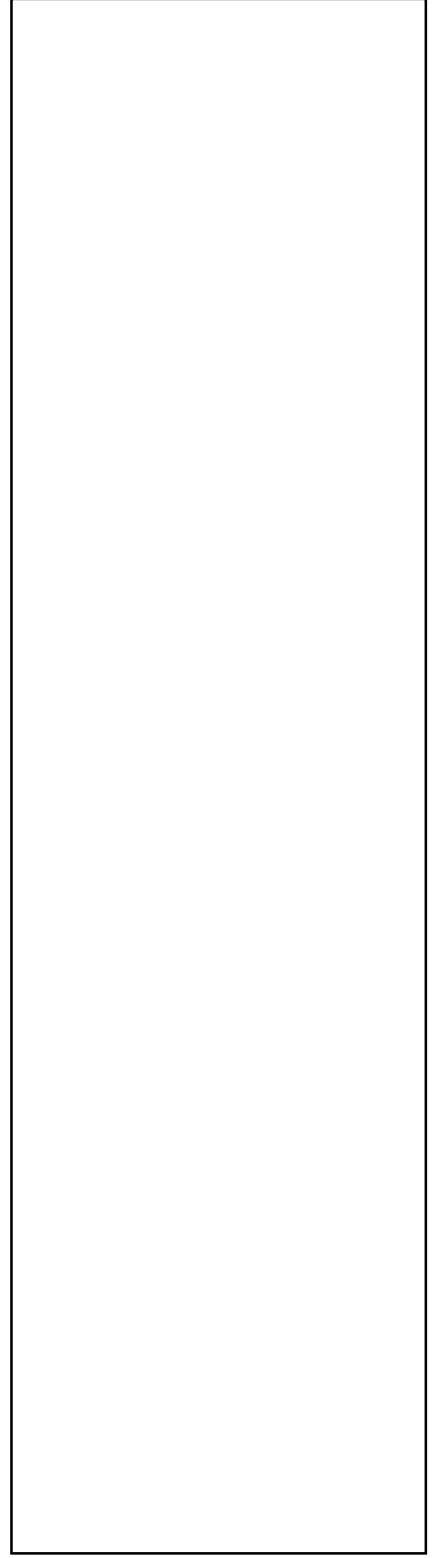
- ① SELECT PROPER VOLTAGE LEAD, CAP UNUSED LEAD
- ② LAMP SELECTOR LEADS. REFER TO INSTALLATION INSTRUCTIONS FOR PROPER APPLICATION.
- ③ DO NOT MATE CONNECTOR UNTIL INSTALLATION IS COMPLETE AND A.C. POWER IS SUPPLIED.



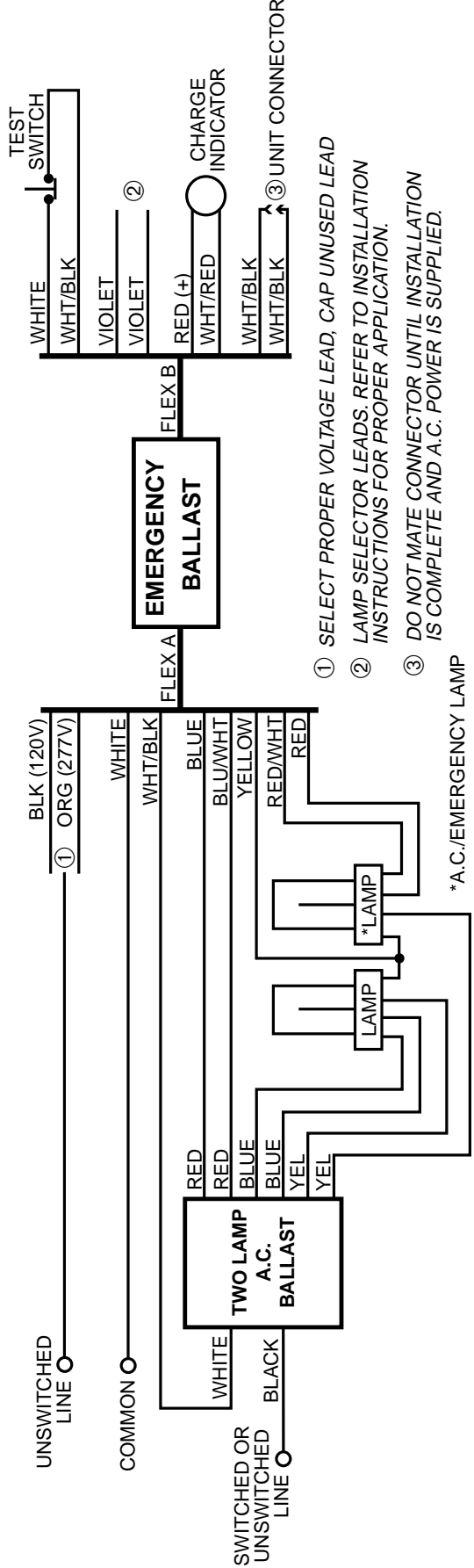
TWO LAMP RAPID START BALLAST



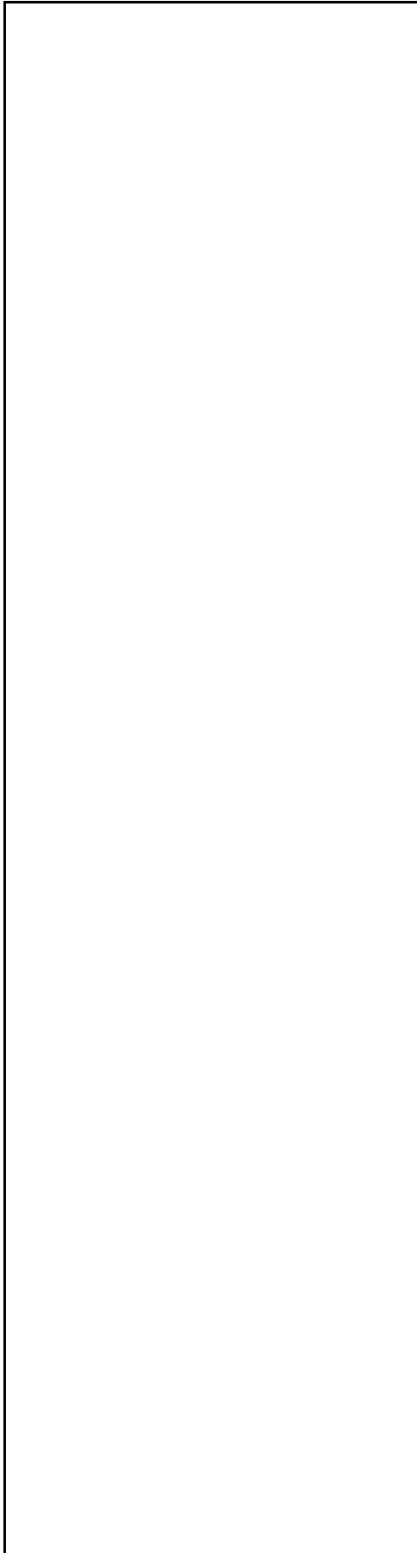
- ① SELECT PROPER VOLTAGE LEAD, CAP UNUSED LEAD
- ② LAMP SELECTOR LEADS, REFER TO INSTALLATION INSTRUCTIONS FOR PROPER APPLICATION.
- ③ DO NOT MATE CONNECTOR UNTIL INSTALLATION IS COMPLETE AND A.C. POWER IS SUPPLIED.



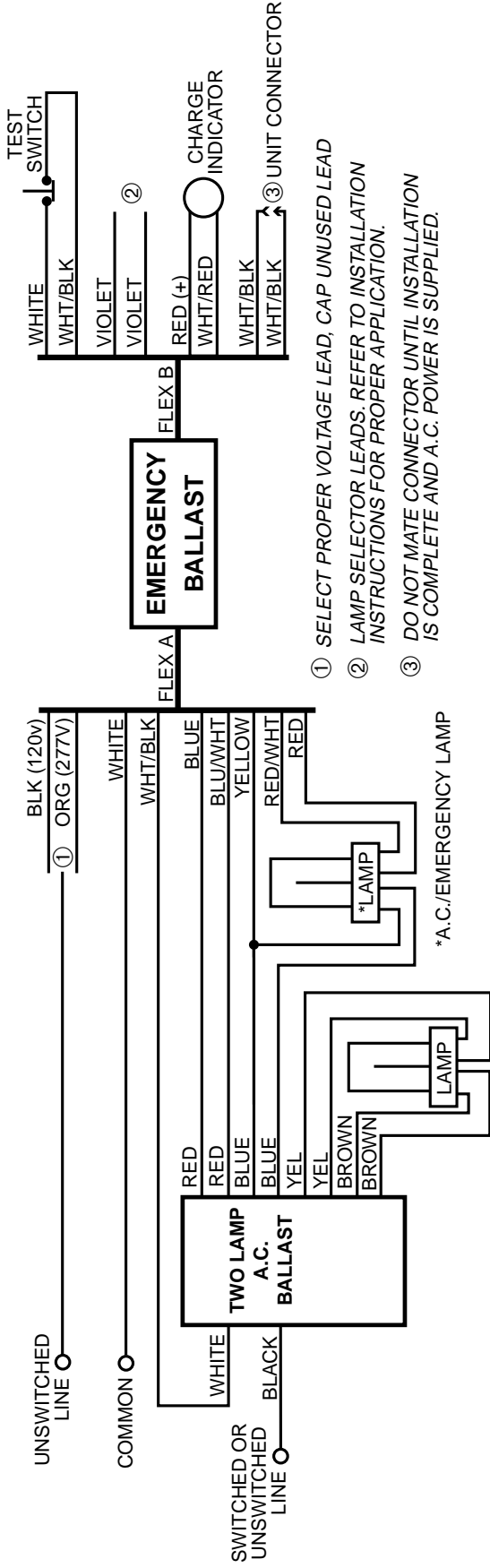
TWO LAMP RAPID START BALLAST WITHOUT MICROPROCESSOR ONE LAMP EMERGENCY OPERATION



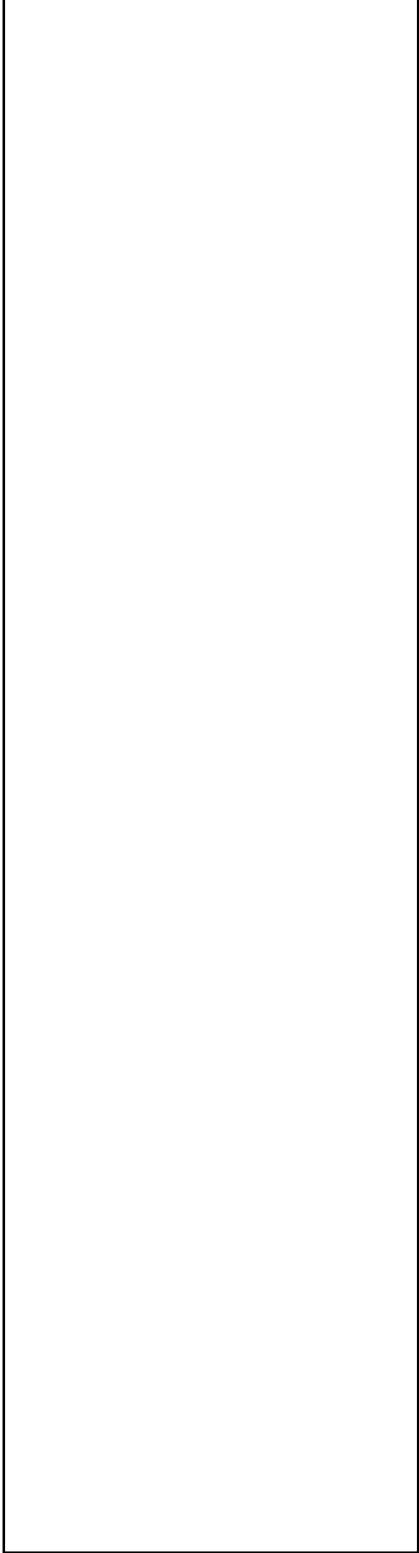
- ① SELECT PROPER VOLTAGE LEAD, CAP UNUSED LEAD
- ② LAMP SELECTOR LEADS. REFER TO INSTALLATION INSTRUCTIONS FOR PROPER APPLICATION.
- ③ DO NOT MATE CONNECTOR UNTIL INSTALLATION IS COMPLETE AND A.C. POWER IS SUPPLIED.



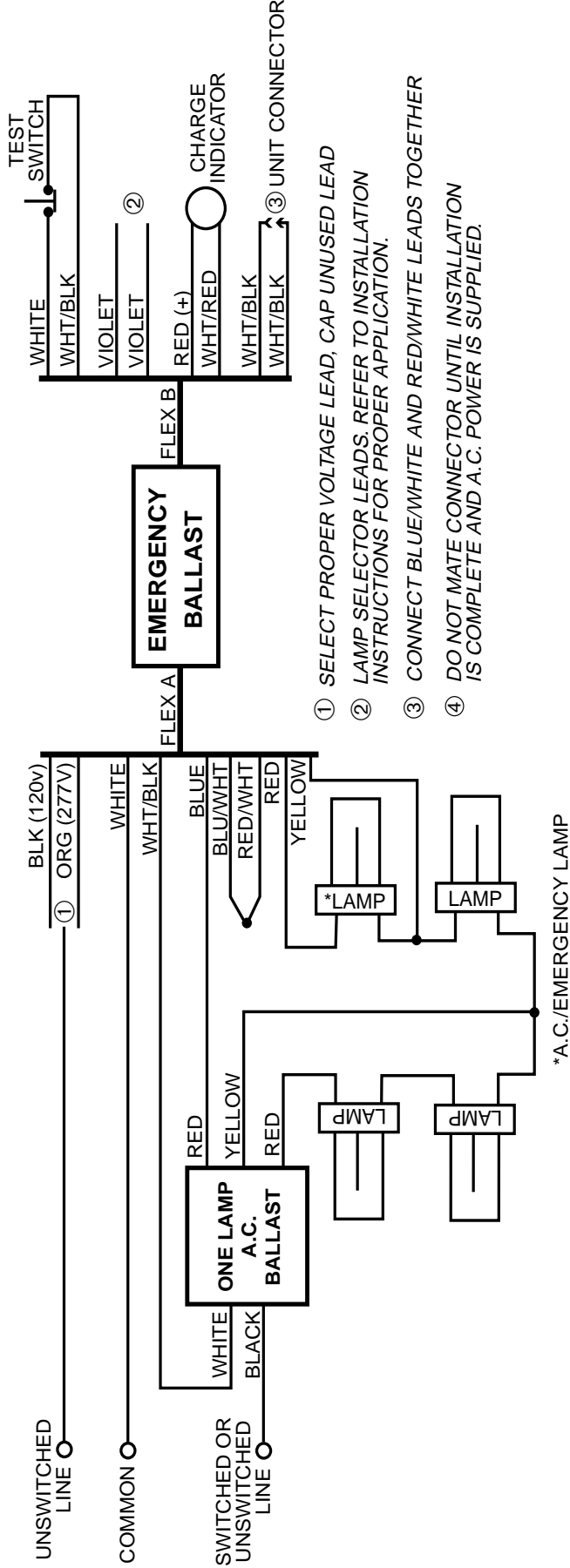
TWO LAMP RAPID START BALLAST



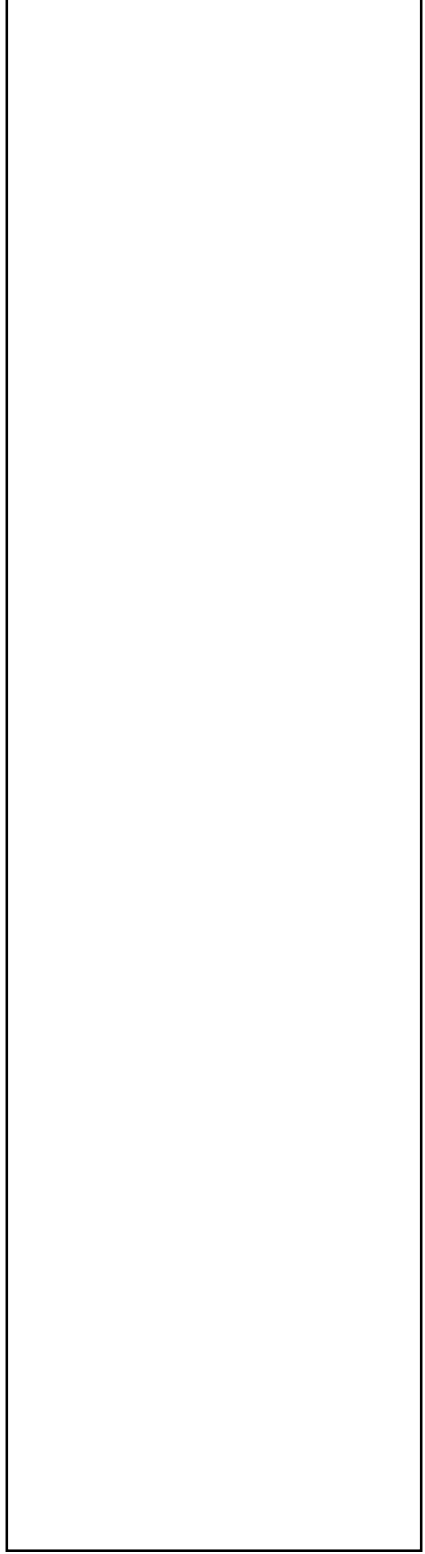
- ① SELECT PROPER VOLTAGE LEAD, CAP UNUSED LEAD
- ② LAMP SELECTOR LEADS. REFER TO INSTALLATION INSTRUCTIONS FOR PROPER APPLICATION.
- ③ DO NOT MATE CONNECTOR UNTIL INSTALLATION IS COMPLETE AND A.C. POWER IS SUPPLIED.



FOUR COMPACT LAMP FULHAM BALLAST

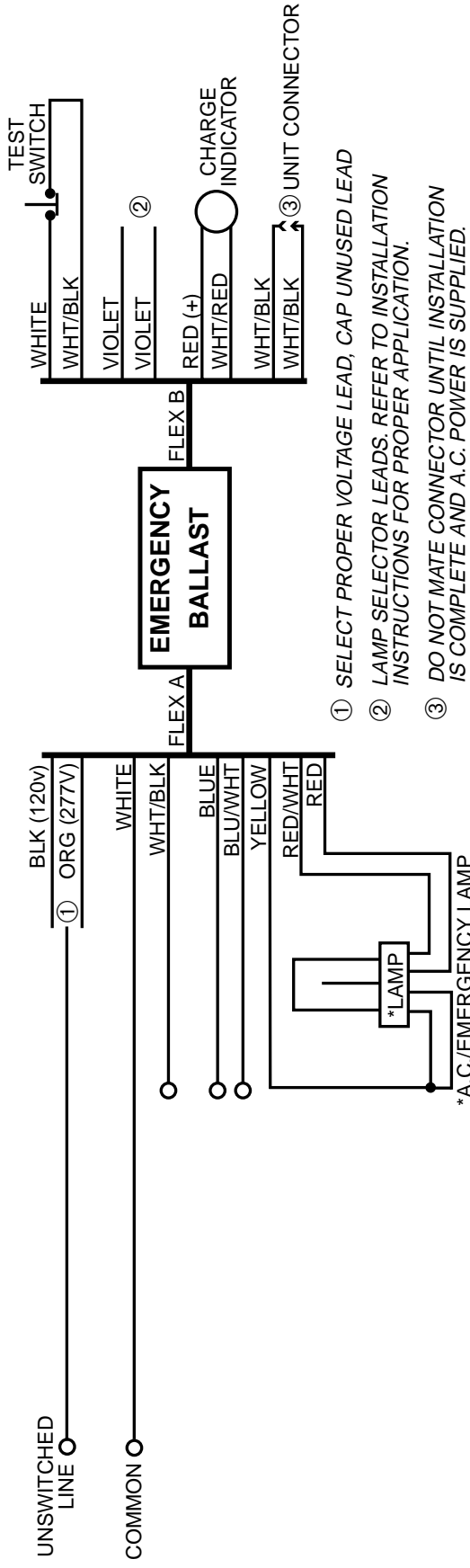


- ① SELECT PROPER VOLTAGE LEAD, CAP UNUSED LEAD
- ② LAMP SELECTOR LEADS. REFER TO INSTALLATION INSTRUCTIONS FOR PROPER APPLICATION.
- ③ CONNECT BLUE/WHITE AND RED/WHITE LEADS TOGETHER
- ④ DO NOT MATE CONNECTOR UNTIL INSTALLATION IS COMPLETE AND A.C. POWER IS SUPPLIED.

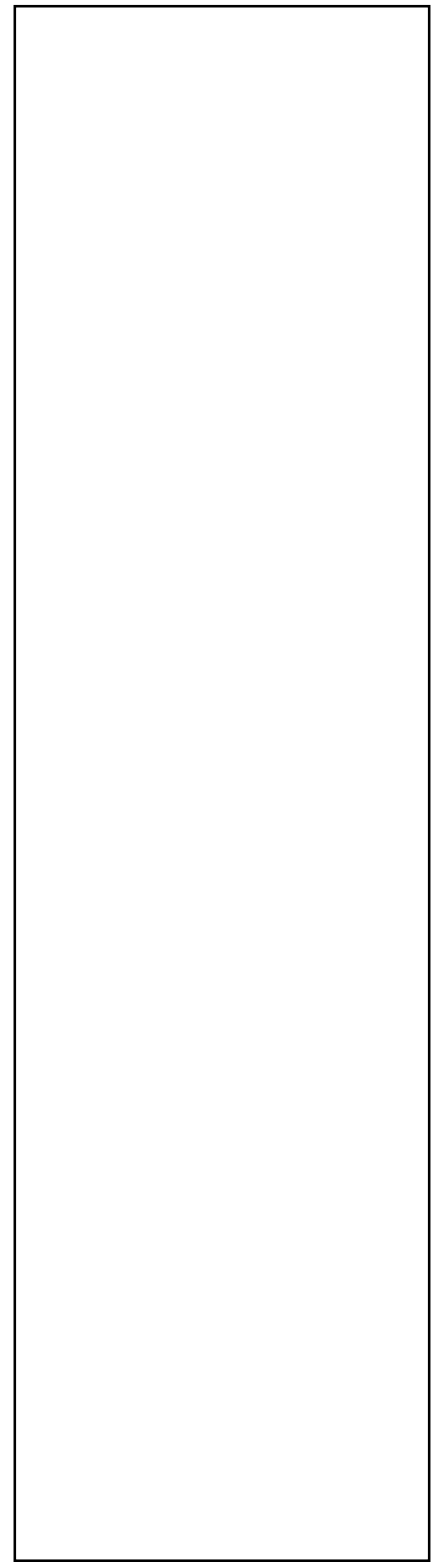


1LEO

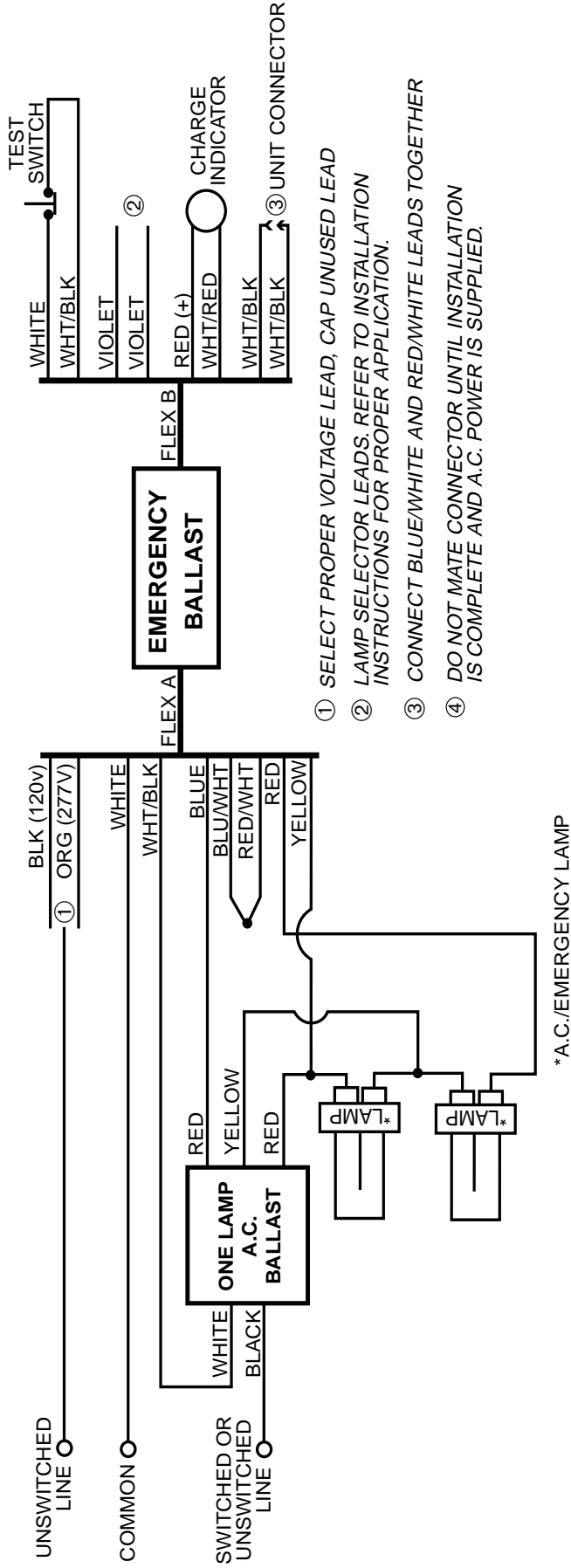
ONE LAMP EMERGENCY OPERATION ONLY



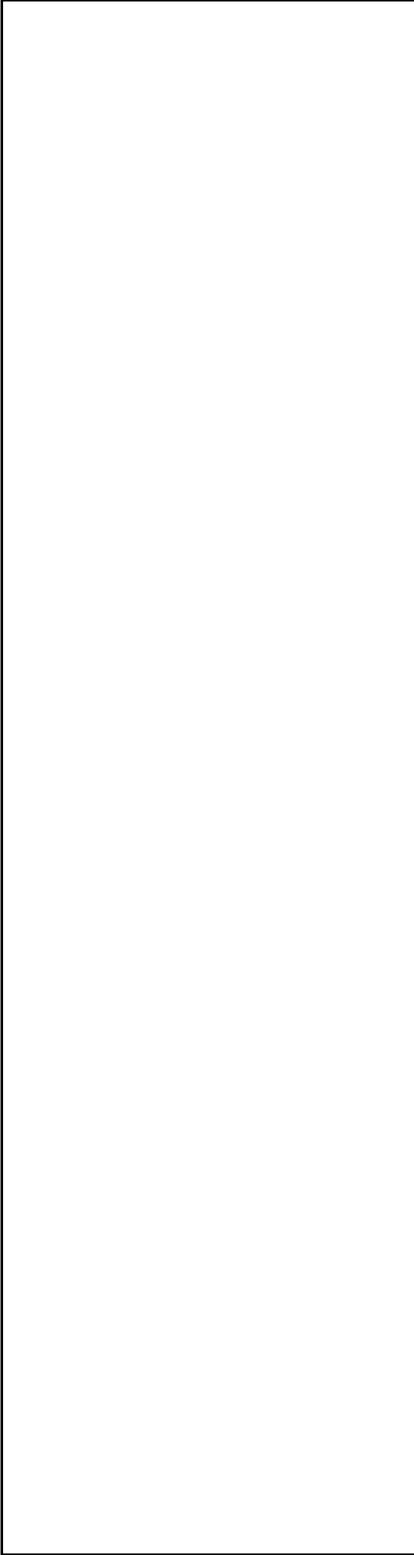
- ① SELECT PROPER VOLTAGE LEAD, CAP UNUSED LEAD
- ② LAMP SELECTOR LEADS. REFER TO INSTALLATION INSTRUCTIONS FOR PROPER APPLICATION.
- ③ DO NOT MATE CONNECTOR UNTIL INSTALLATION IS COMPLETE AND A.C. POWER IS SUPPLIED.



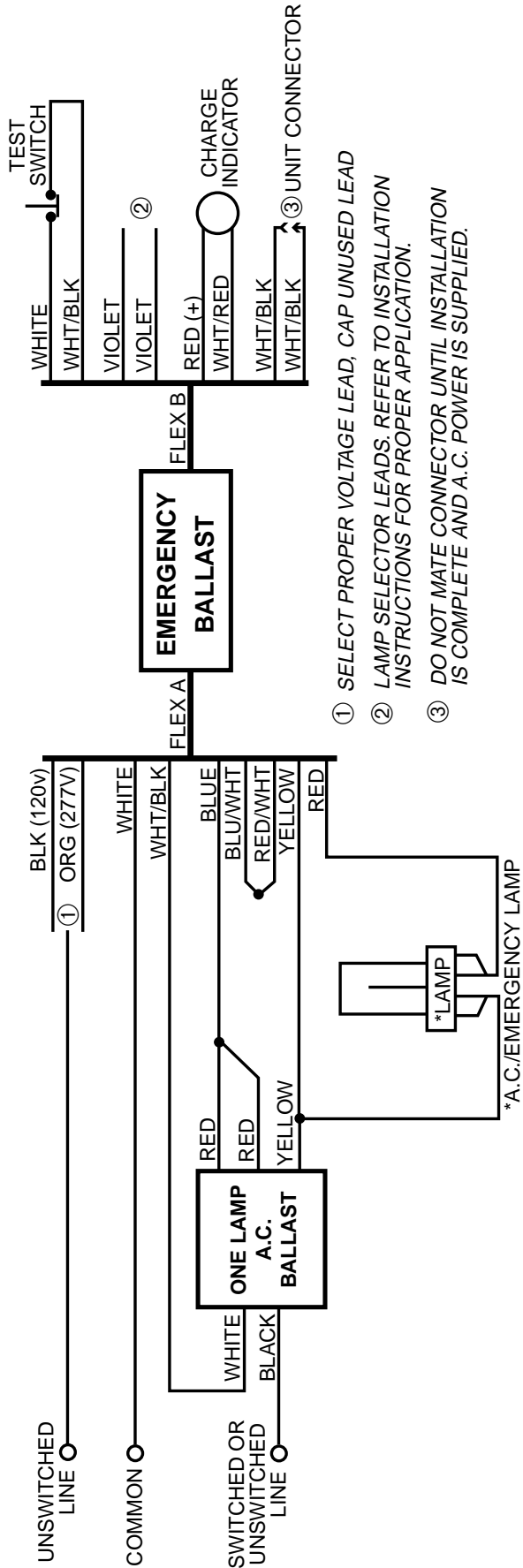
TWO COMPACT LAMP FULHAM BALLAST TWO LAMP EMERGENCY OPERATION



- ① SELECT PROPER VOLTAGE LEAD, CAP UNUSED LEAD
- ② LAMP SELECTOR LEADS. REFER TO INSTALLATION INSTRUCTIONS FOR PROPER APPLICATION.
- ③ CONNECT BLUE/WHITE AND RED/WHITE LEADS TOGETHER
- ④ DO NOT MATE CONNECTOR UNTIL INSTALLATION IS COMPLETE AND A.C. POWER IS SUPPLIED.



ONE LAMP INSTANT START FULLHAM BALLAST

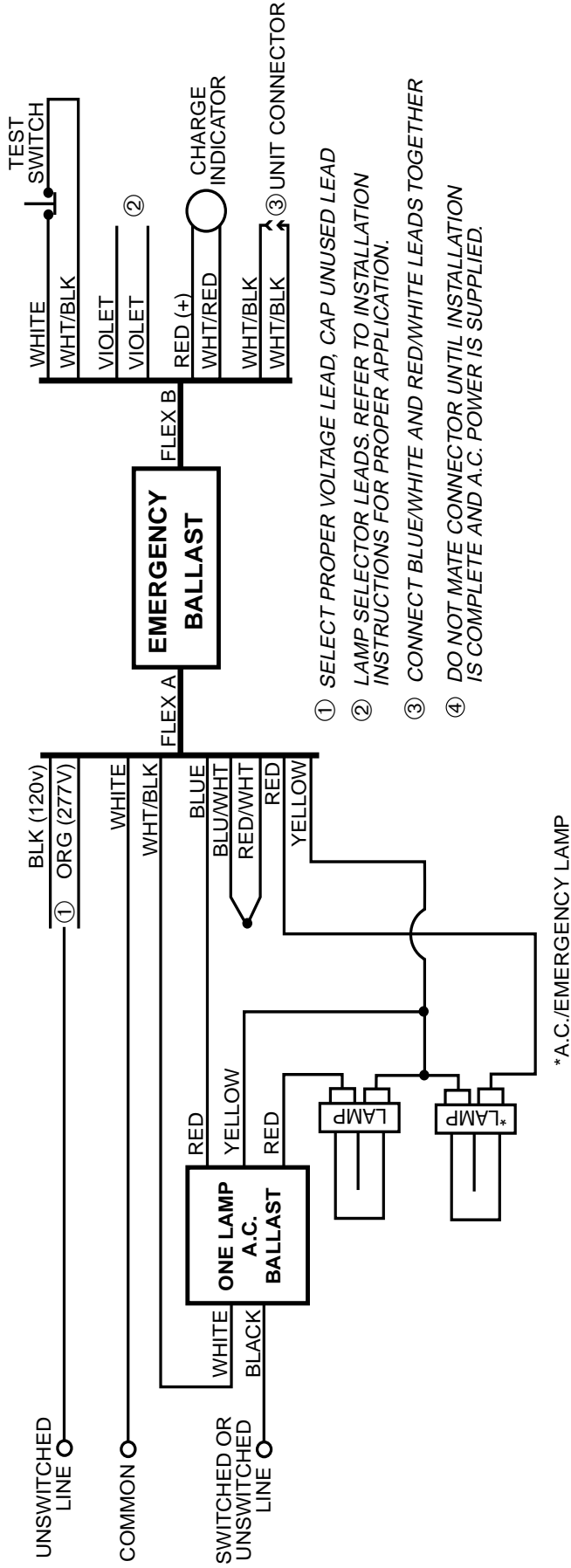


- ① SELECT PROPER VOLTAGE LEAD, CAP UNUSED LEAD
- ② LAMP SELECTOR LEADS. REFER TO INSTALLATION INSTRUCTIONS FOR PROPER APPLICATION.
- ③ DO NOT MATE CONNECTOR UNTIL INSTALLATION IS COMPLETE AND A.C. POWER IS SUPPLIED.

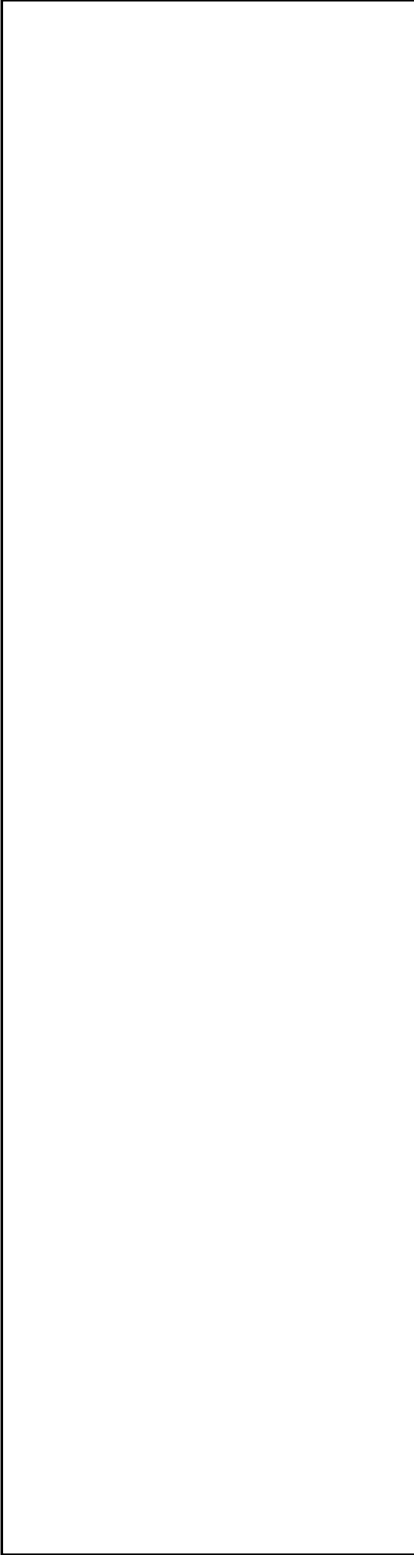
FULLHAM
WORKHORSE 2

ALL COMPATIBLE BALLASTS MAY NOT BE LISTED.
*DIMMING CONTROL WIRES ARE NOT AFFECTED BY EM PACK

TWO COMPACT LAMP FULHAM BALLAST

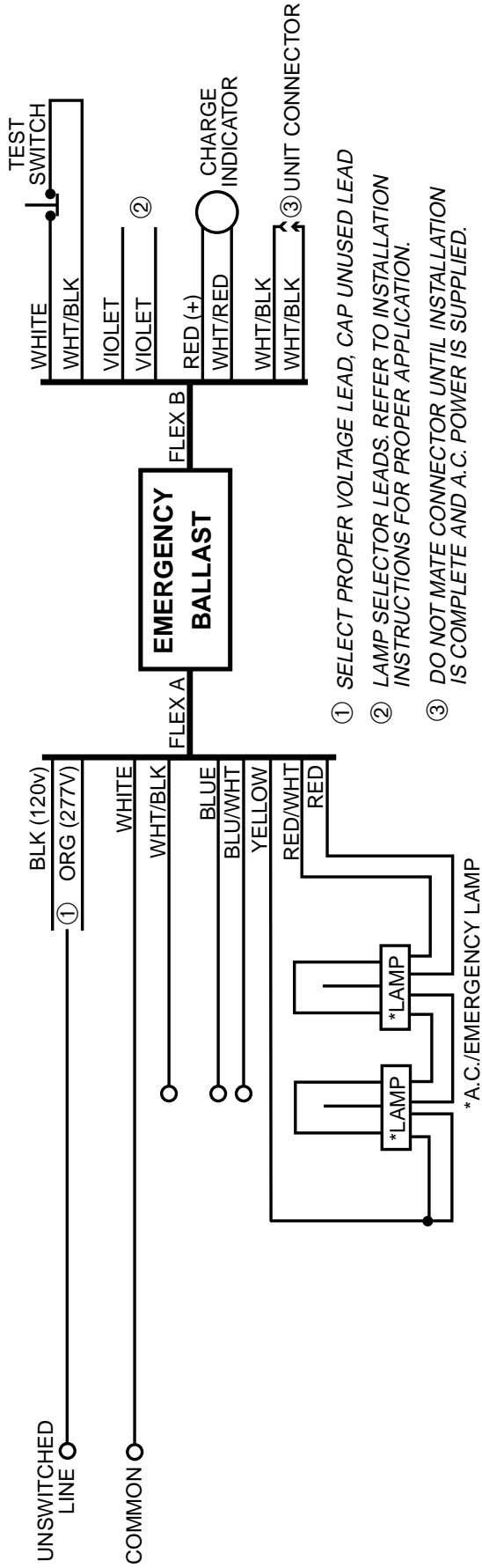


- ① SELECT PROPER VOLTAGE LEAD, CAP UNUSED LEAD
- ② LAMP SELECTOR LEADS. REFER TO INSTALLATION INSTRUCTIONS FOR PROPER APPLICATION.
- ③ CONNECT BLUE/WHITE AND RED/WHITE LEADS TOGETHER
- ④ DO NOT MATE CONNECTOR UNTIL INSTALLATION IS COMPLETE AND A.C. POWER IS SUPPLIED.

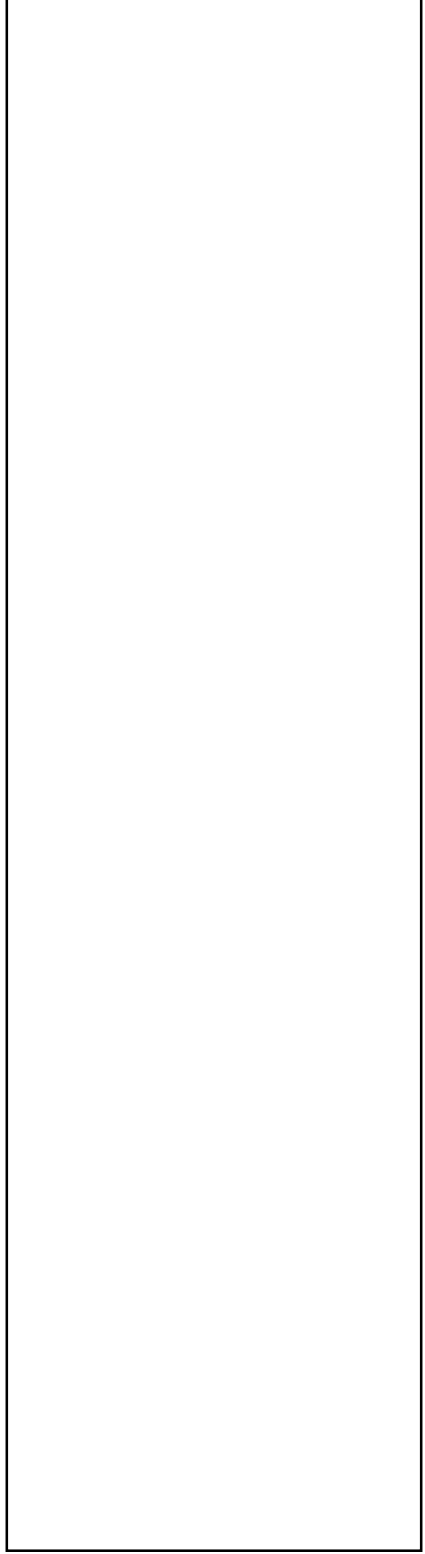


2LEO

TWO LAMP EMERGENCY OPERATION ONLY

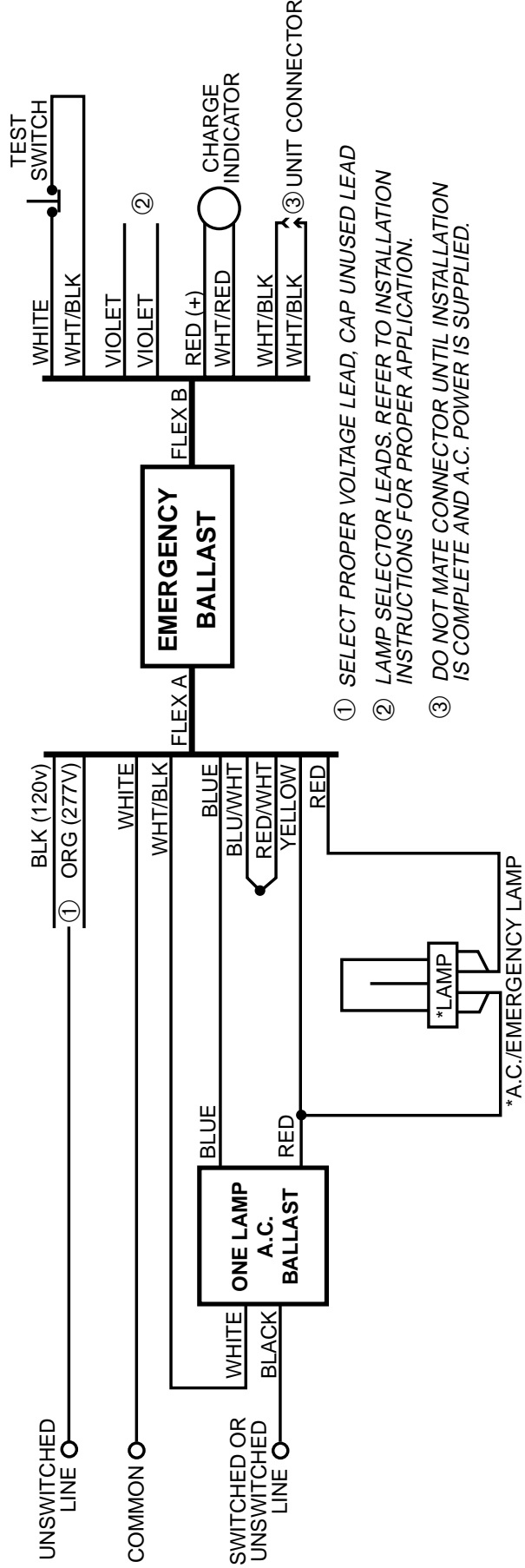


- ① SELECT PROPER VOLTAGE LEAD, CAP UNUSED LEAD
- ② LAMP SELECTOR LEADS. REFER TO INSTALLATION INSTRUCTIONS FOR PROPER APPLICATION.
- ③ DO NOT MATE CONNECTOR UNTIL INSTALLATION IS COMPLETE AND A.C. POWER IS SUPPLIED.

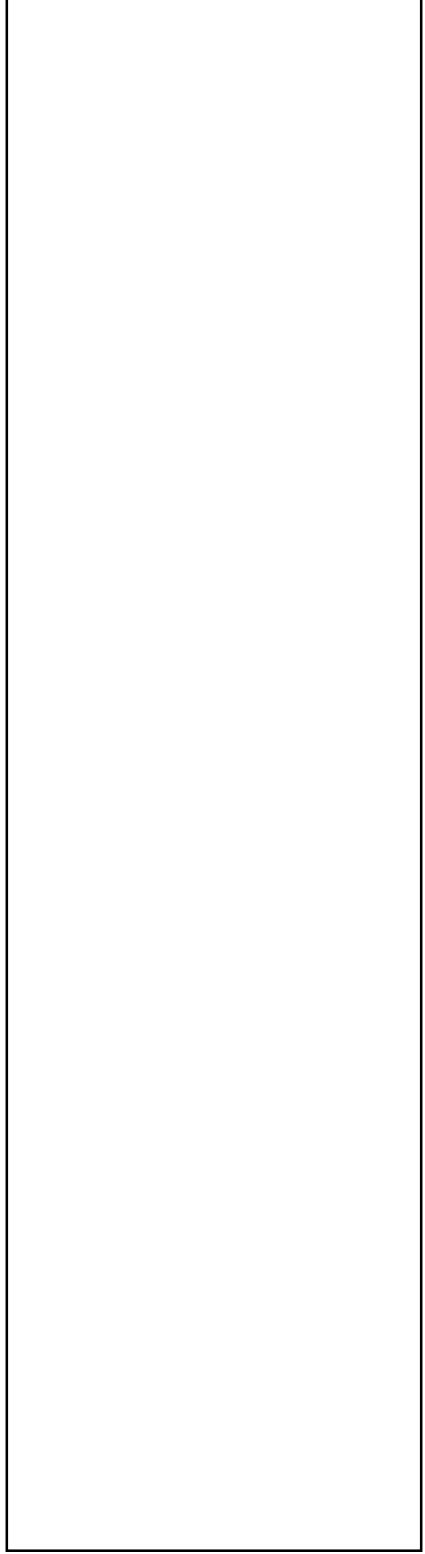


1LISB42

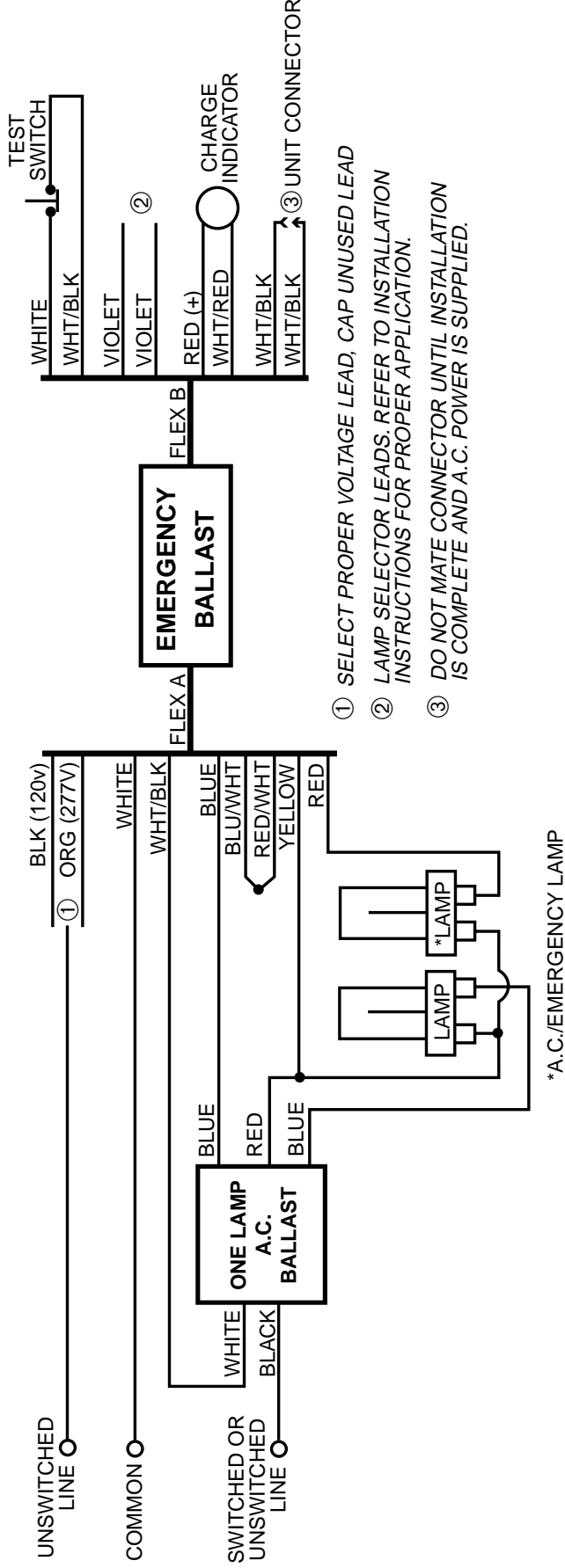
ONE LAMP INSTANT START BALLAST



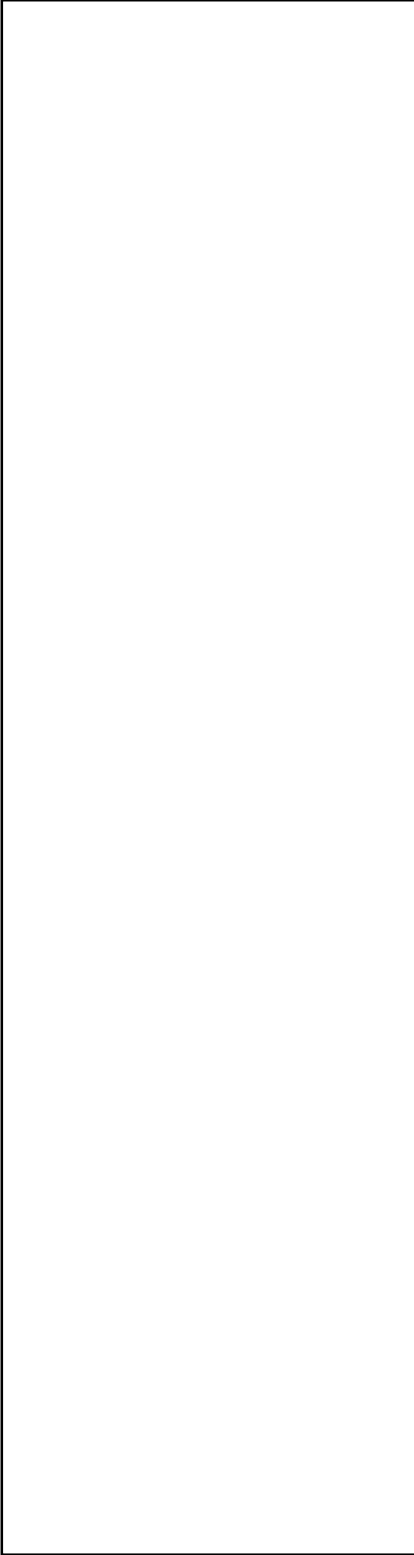
- ① SELECT PROPER VOLTAGE LEAD, CAP UNUSED LEAD
- ② LAMP SELECTOR LEADS. REFER TO INSTALLATION INSTRUCTIONS FOR PROPER APPLICATION.
- ③ DO NOT MATE CONNECTOR UNTIL INSTALLATION IS COMPLETE AND A.C. POWER IS SUPPLIED.



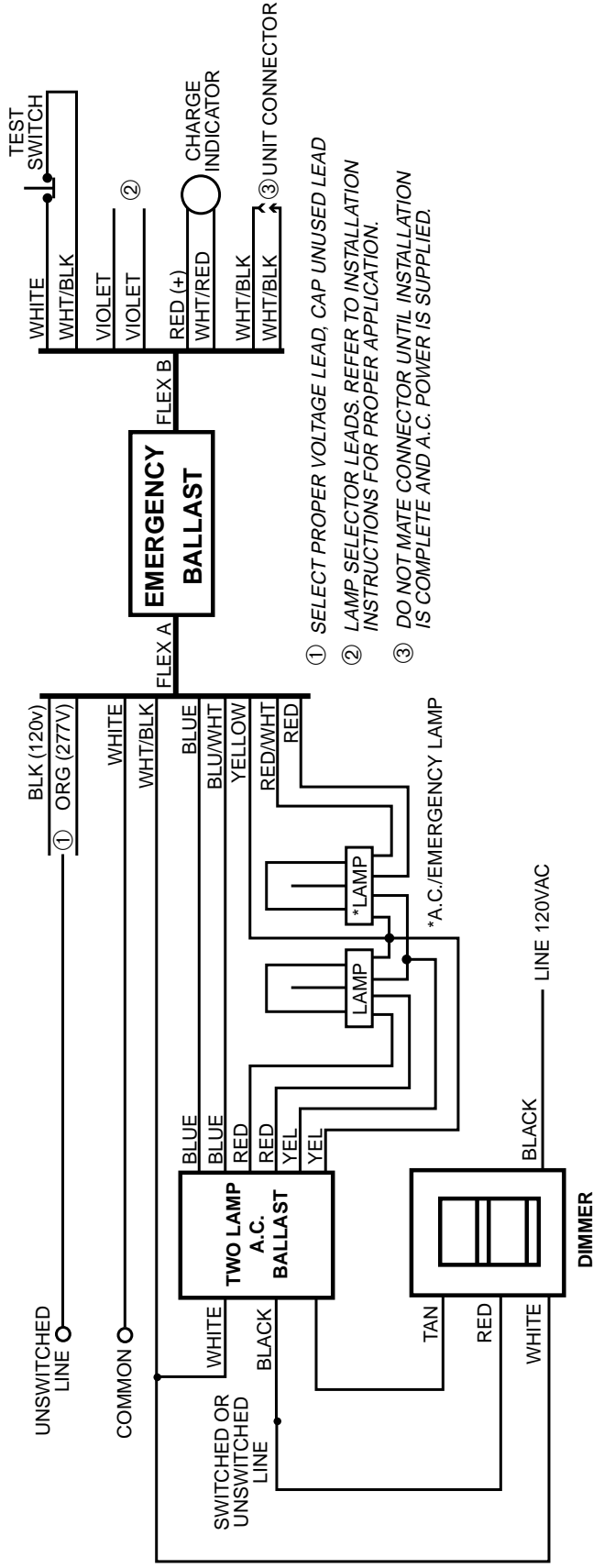
TWO LAMP INSTANT START BALLAST



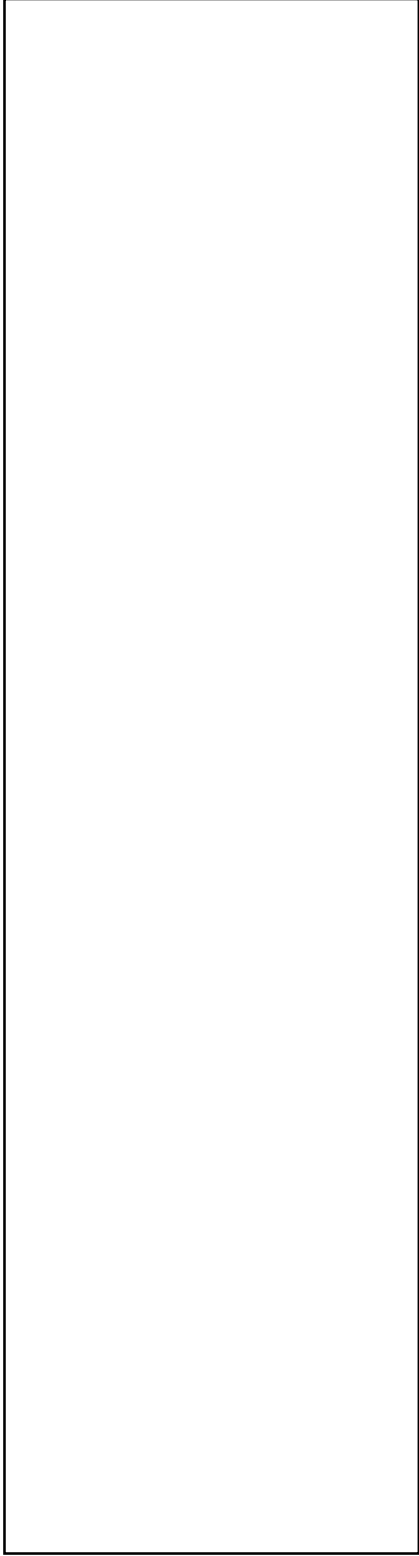
- ① SELECT PROPER VOLTAGE LEAD, CAP UNUSED LEAD
- ② LAMP SELECTOR LEADS. REFER TO INSTALLATION INSTRUCTIONS FOR PROPER APPLICATION.
- ③ DO NOT MATE CONNECTOR UNTIL INSTALLATION IS COMPLETE AND A.C. POWER IS SUPPLIED.



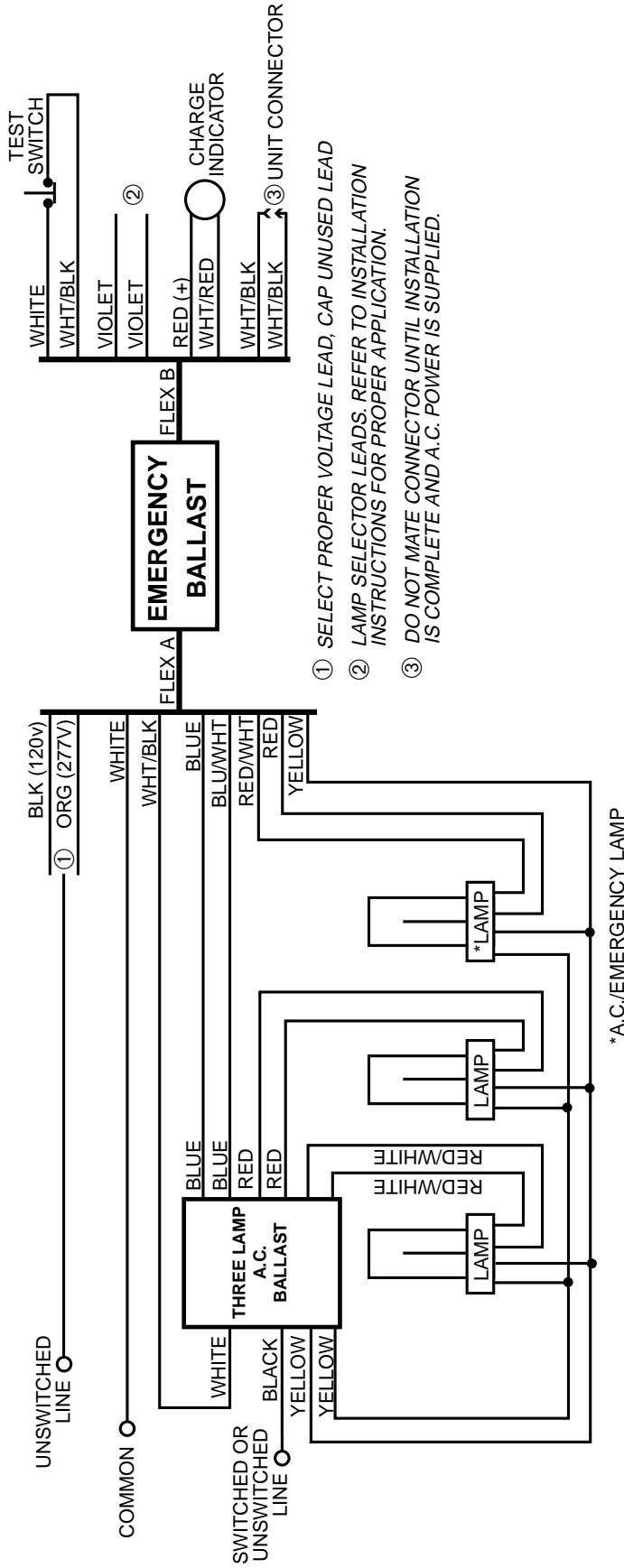
TWO LAMP RAPID START BALLAST WITH DIMMER ONE LAMP EMERGENCY OPERATION



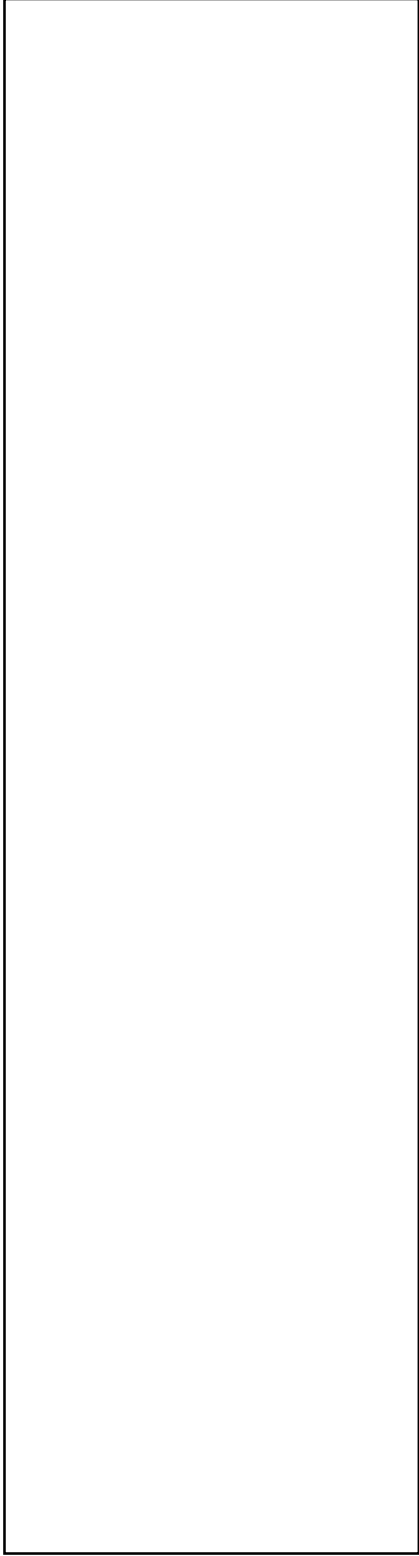
- ① SELECT PROPER VOLTAGE LEAD, CAP UNUSED LEAD
- ② LAMP SELECTOR LEADS. REFER TO INSTALLATION INSTRUCTIONS FOR PROPER APPLICATION.
- ③ DO NOT MATE CONNECTOR UNTIL INSTALLATION IS COMPLETE AND A.C. POWER IS SUPPLIED.



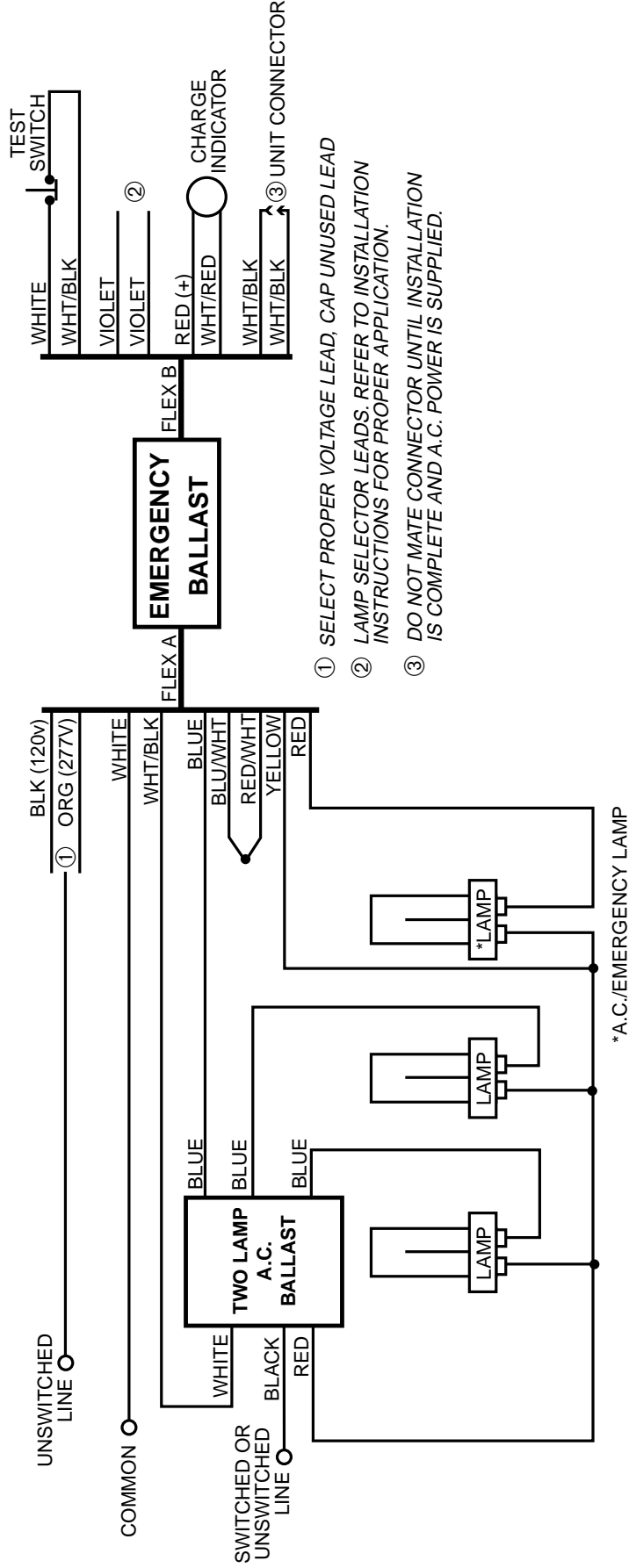
THREE LAMP RAPID START BALLAST WITH ONE LAMP EMERGENCY OPERATION



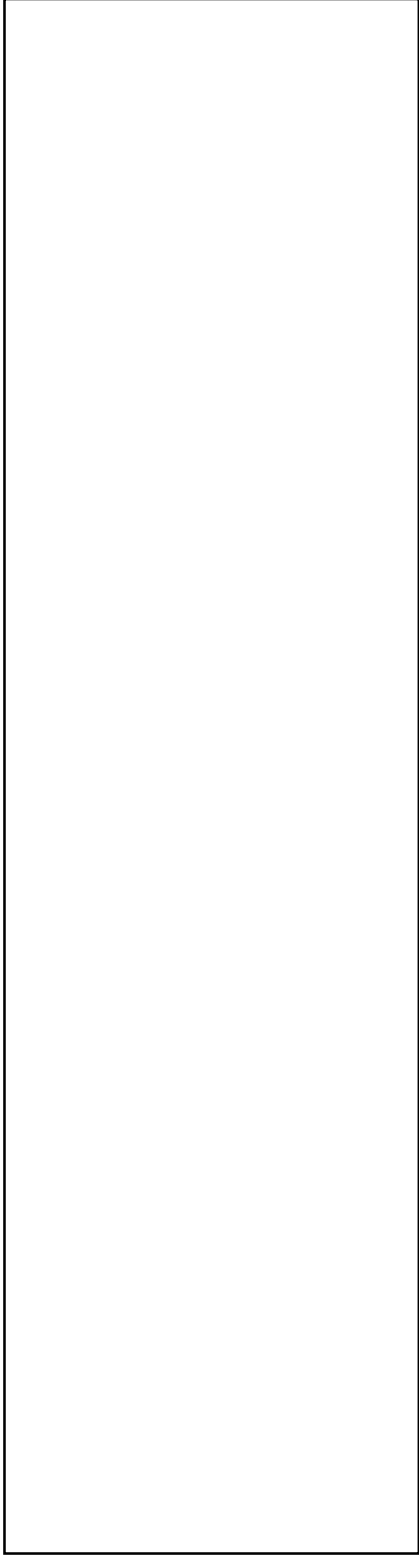
- ① SELECT PROPER VOLTAGE LEAD, CAP UNUSED LEAD
- ② LAMP SELECTOR LEADS. REFER TO INSTALLATION INSTRUCTIONS FOR PROPER APPLICATION.
- ③ DO NOT MATE CONNECTOR UNTIL INSTALLATION IS COMPLETE AND A.C. POWER IS SUPPLIED.



THREE LAMP INSTANT START BALLAST

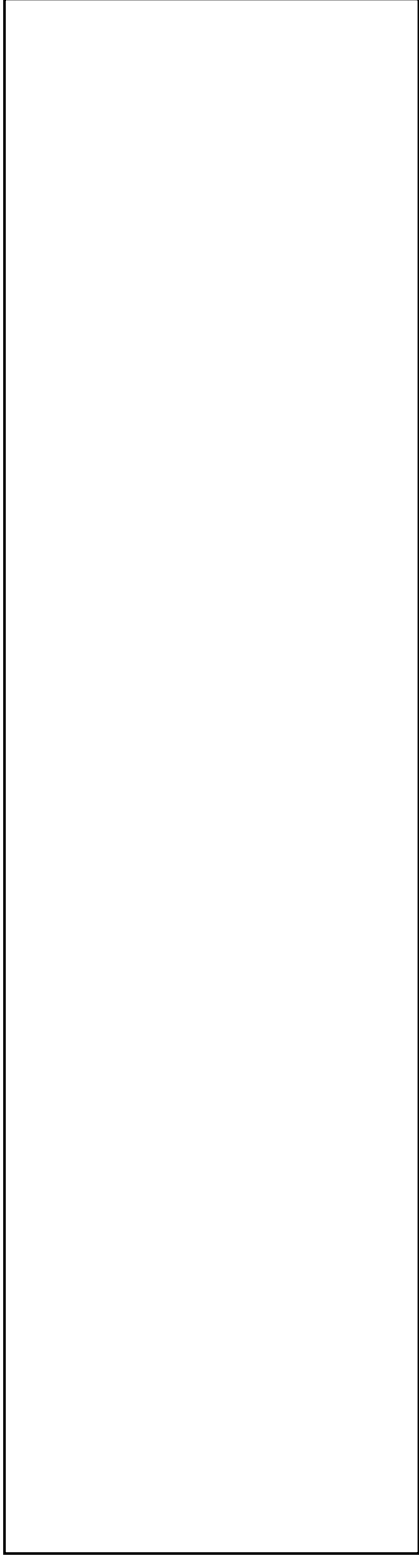
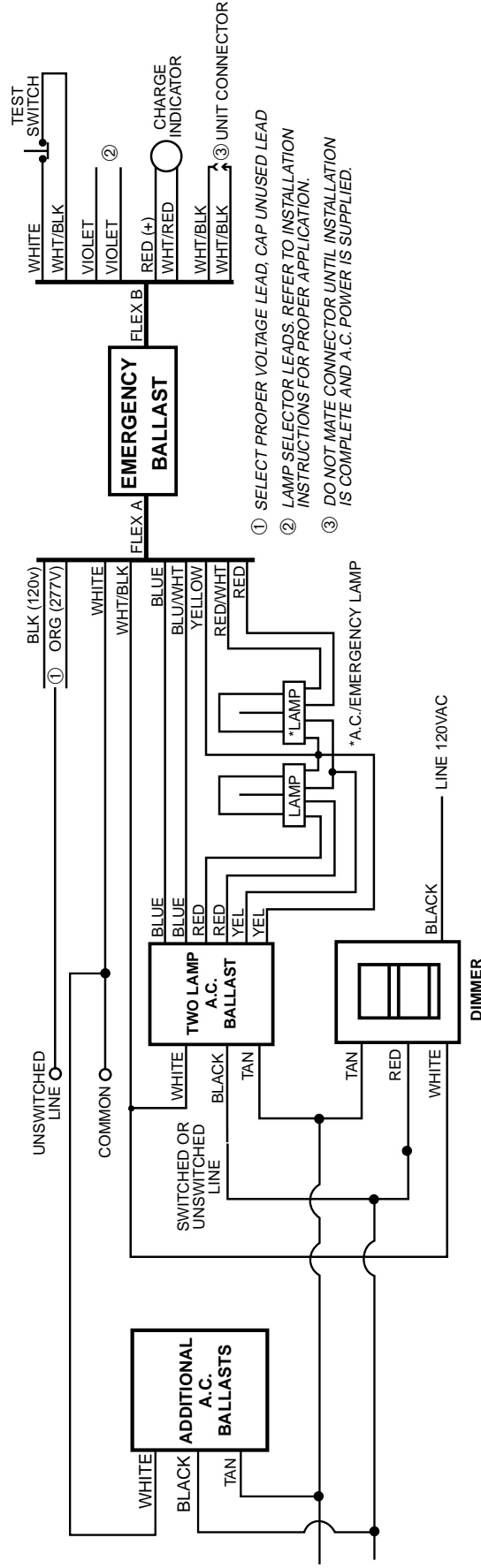


- ① SELECT PROPER VOLTAGE LEAD, CAP UNUSED LEAD
- ② LAMP SELECTOR LEADS. REFER TO INSTALLATION INSTRUCTIONS FOR PROPER APPLICATION.
- ③ DO NOT MATE CONNECTOR UNTIL INSTALLATION IS COMPLETE AND A.C. POWER IS SUPPLIED.



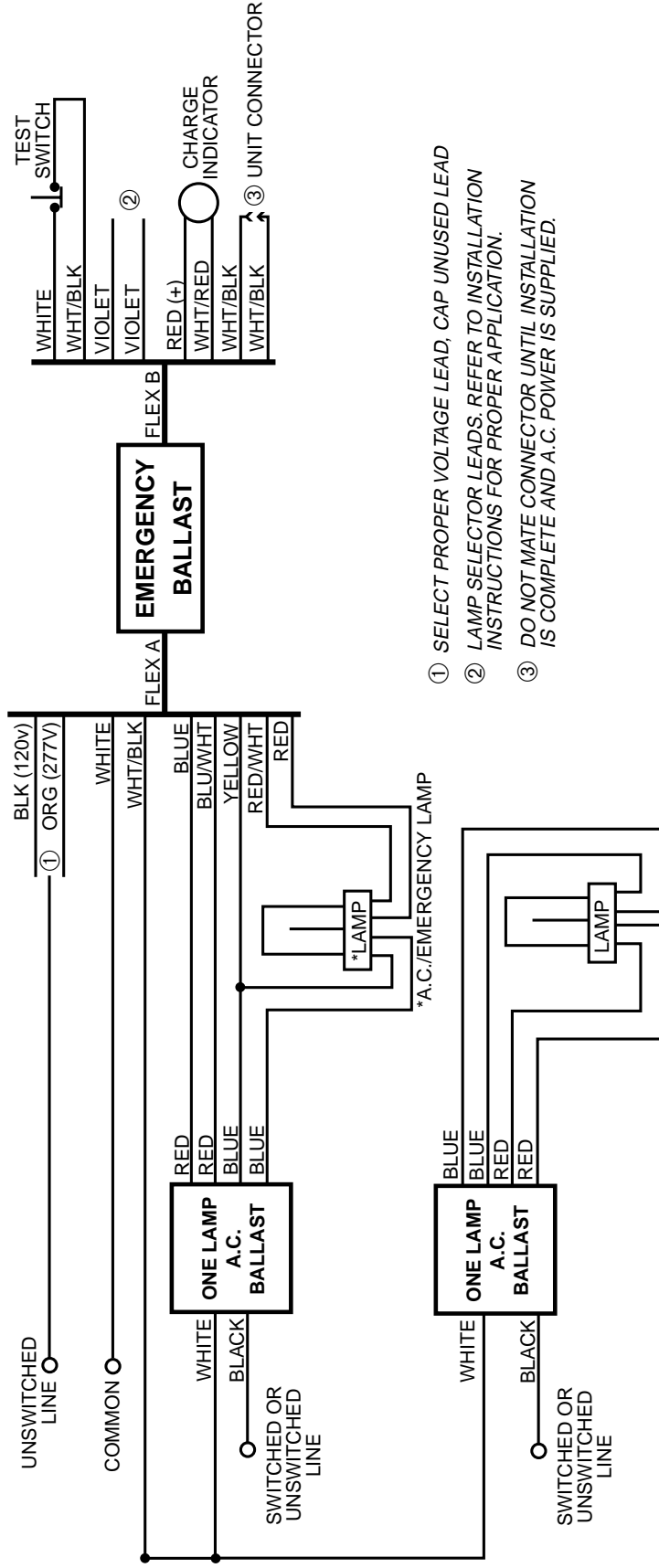
2LRSBD2_1LEO42

TWO LAMP RAPID START BALLAST WITH DIMMER ONE LAMP EMERGENCY OPERATION

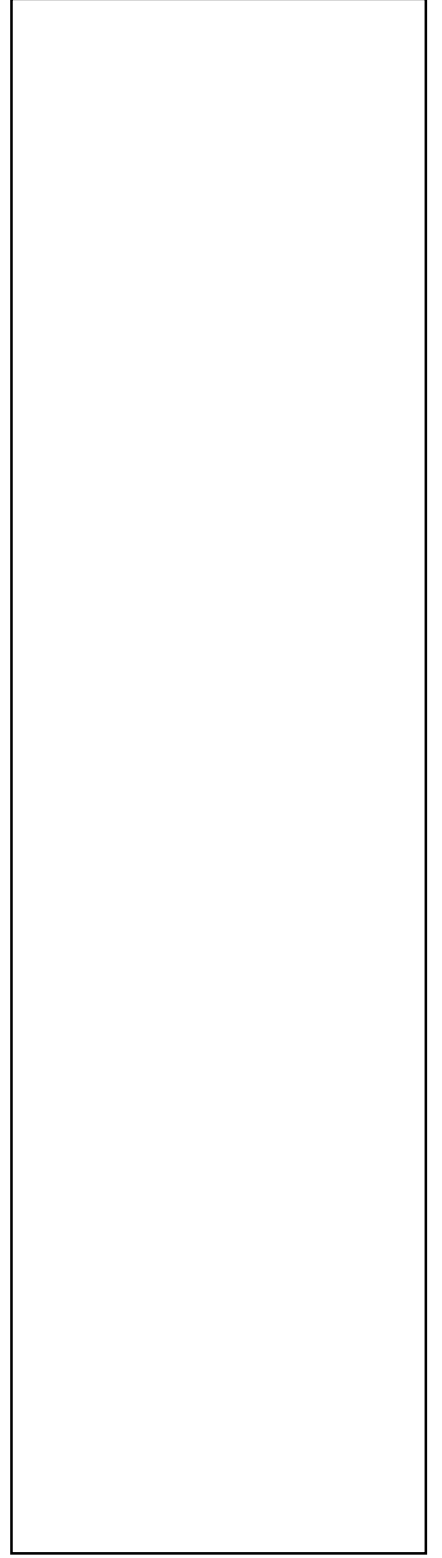


TWO1LR5B42

TWO SINGLE LAMP RAPID START BALLASTS

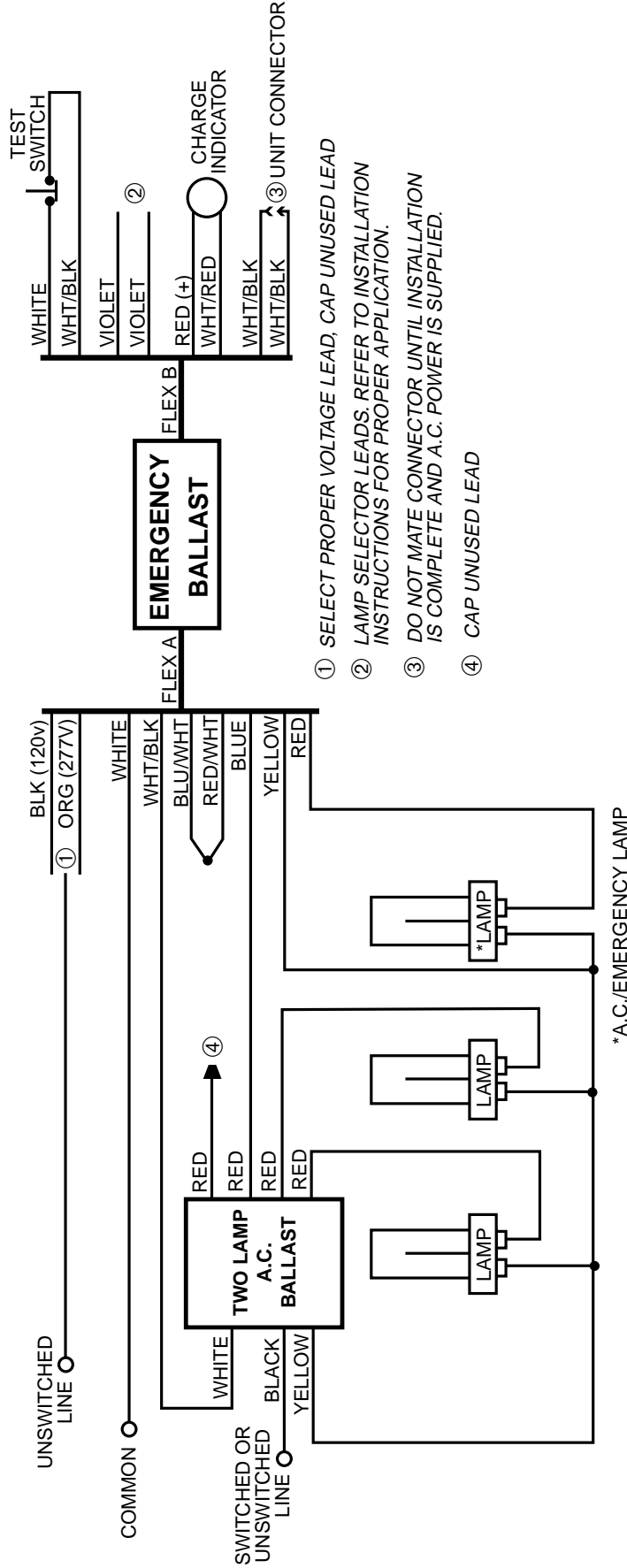


- ① SELECT PROPER VOLTAGE LEAD, CAP UNUSED LEAD
- ② LAMP SELECTOR LEADS. REFER TO INSTALLATION INSTRUCTIONS FOR PROPER APPLICATION.
- ③ DO NOT MATE CONNECTOR UNTIL INSTALLATION IS COMPLETE AND A.C. POWER IS SUPPLIED.



3LISFB42

THREE LAMP INSTANT START BALLAST



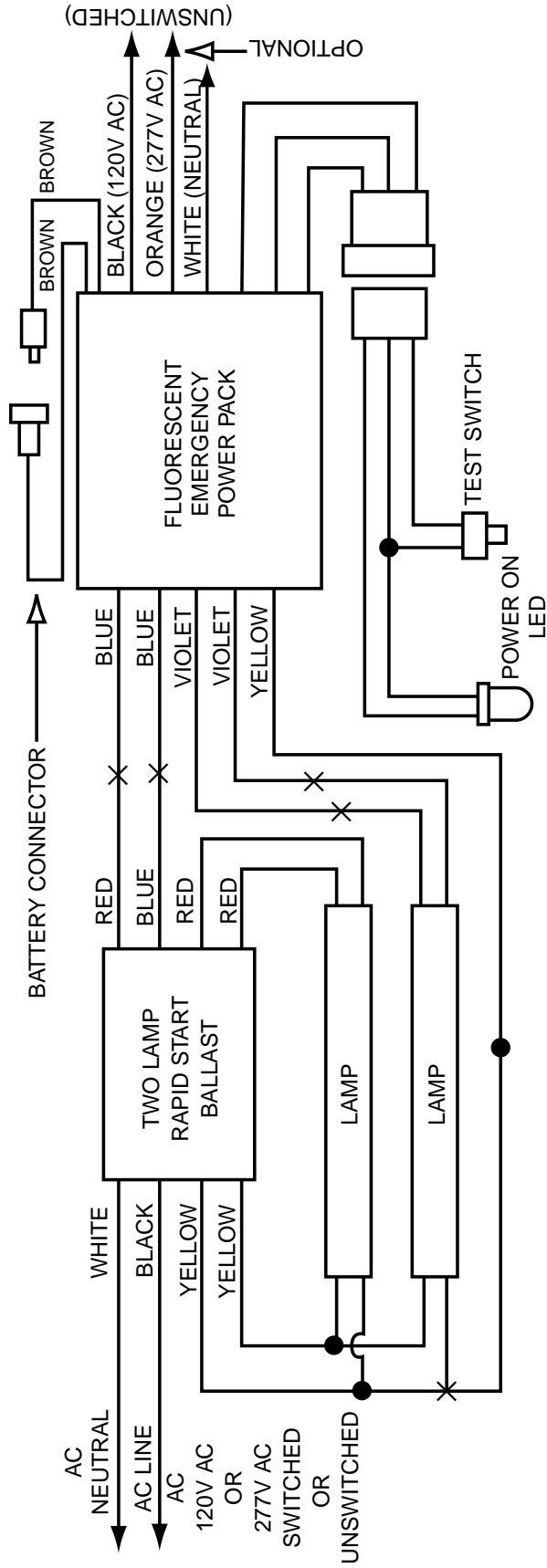
- ① SELECT PROPER VOLTAGE LEAD, CAP UNUSED LEAD
- ② LAMP SELECTOR LEADS. REFER TO INSTALLATION INSTRUCTIONS FOR PROPER APPLICATION.
- ③ DO NOT MATE CONNECTOR UNTIL INSTALLATION IS COMPLETE AND A.C. POWER IS SUPPLIED.
- ④ CAP UNUSED LEAD

FULHAM

WORKHORSE 5

2LR5B_AM10

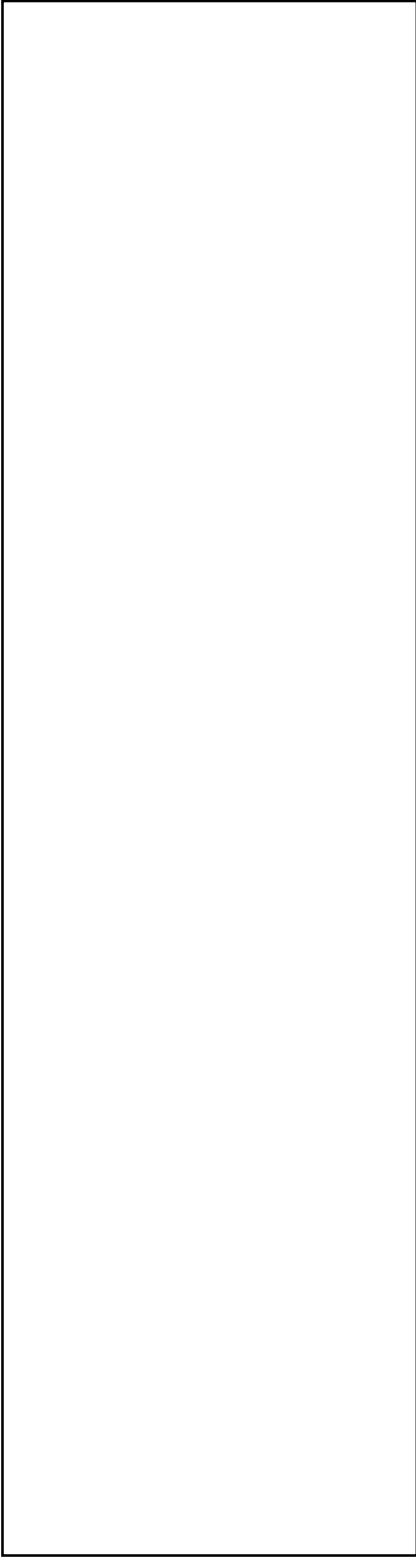
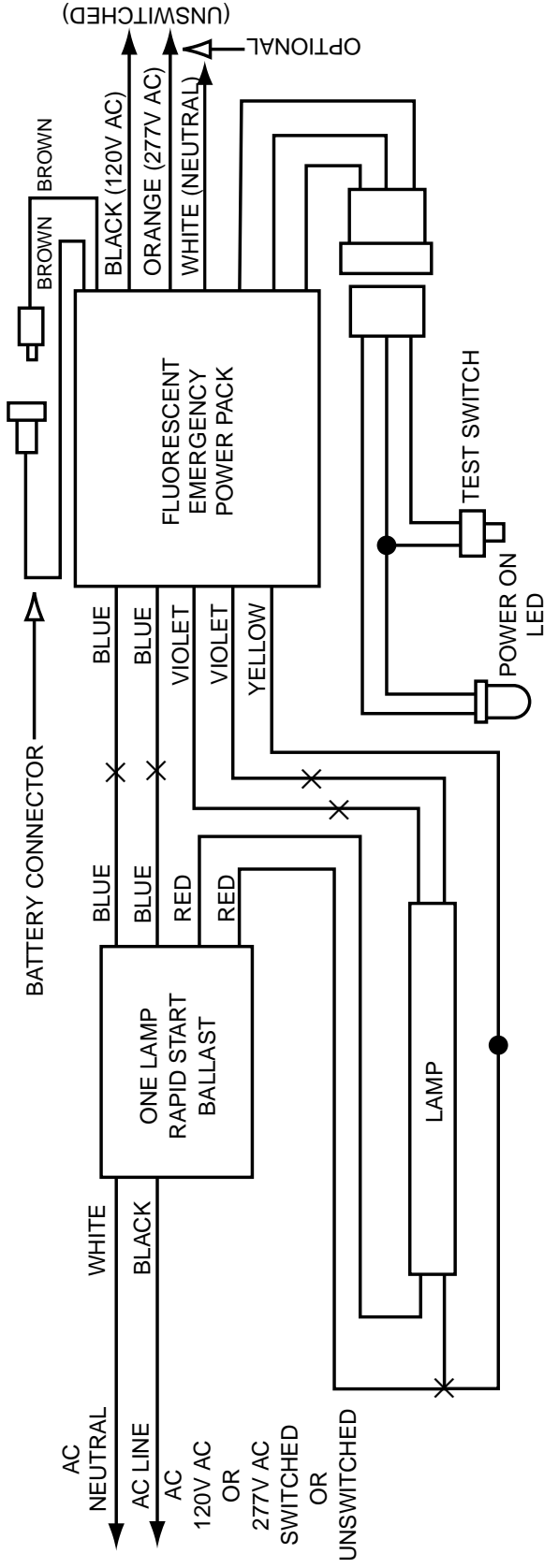
TWO LAMP RAPID START BALLAST



ALL COMPATIBLE BALLASTS MAY NOT BE LISTED.
 *DIMMING CONTROL WIRES ARE NOT AFFECTED BY EM PACK

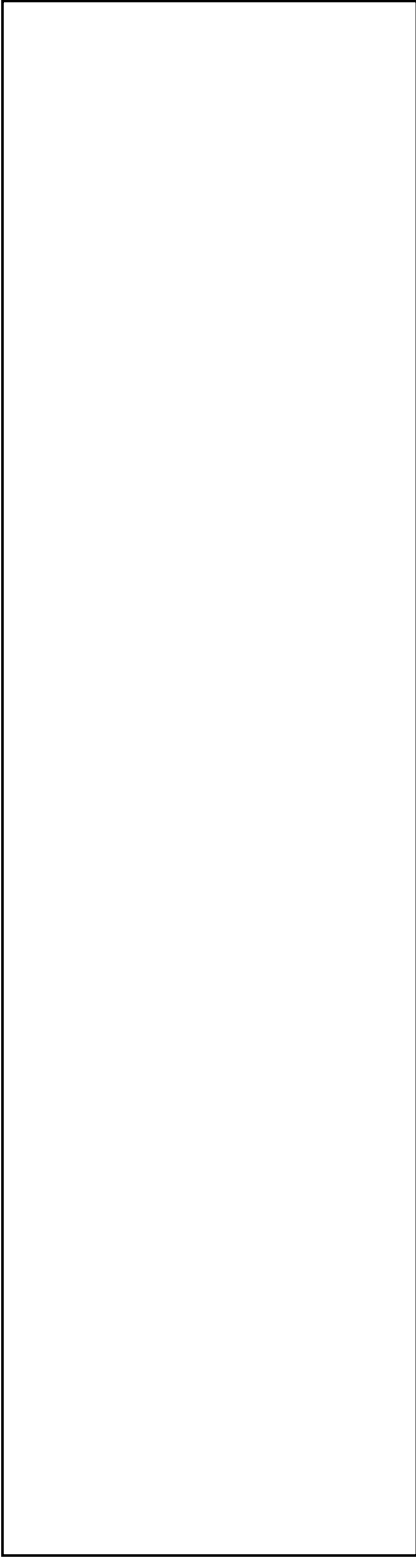
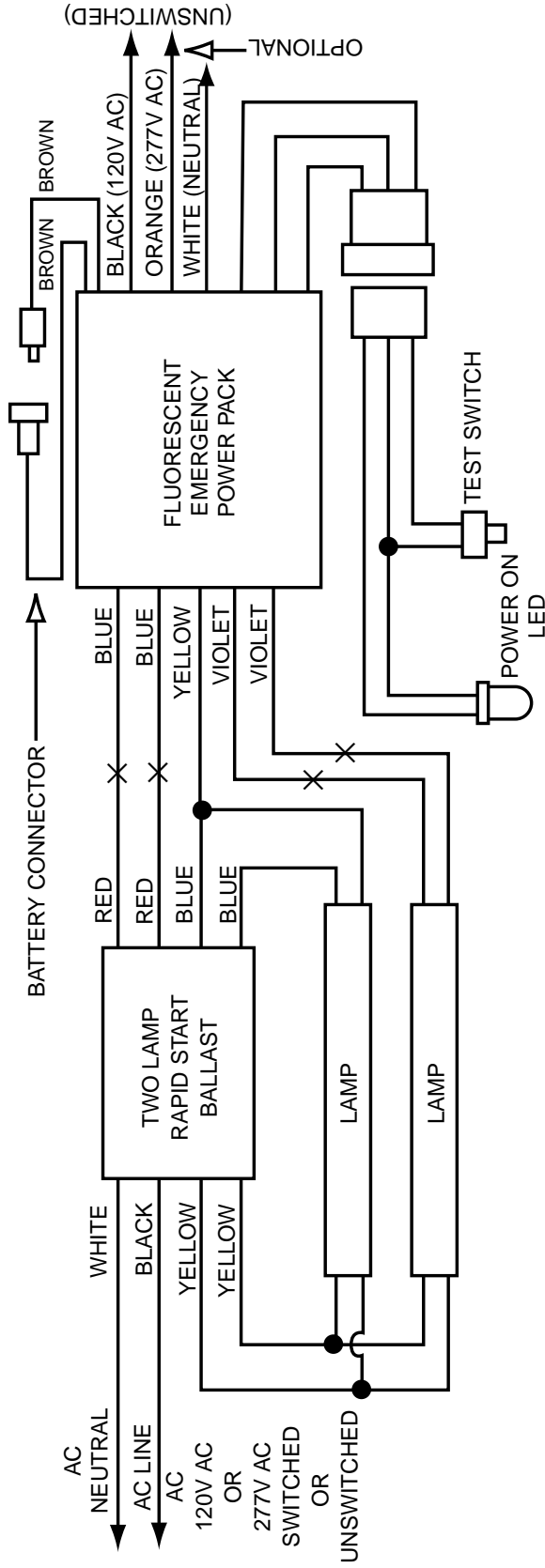
1LR5B_AM10

ONE LAMP RAPID START BALLAST



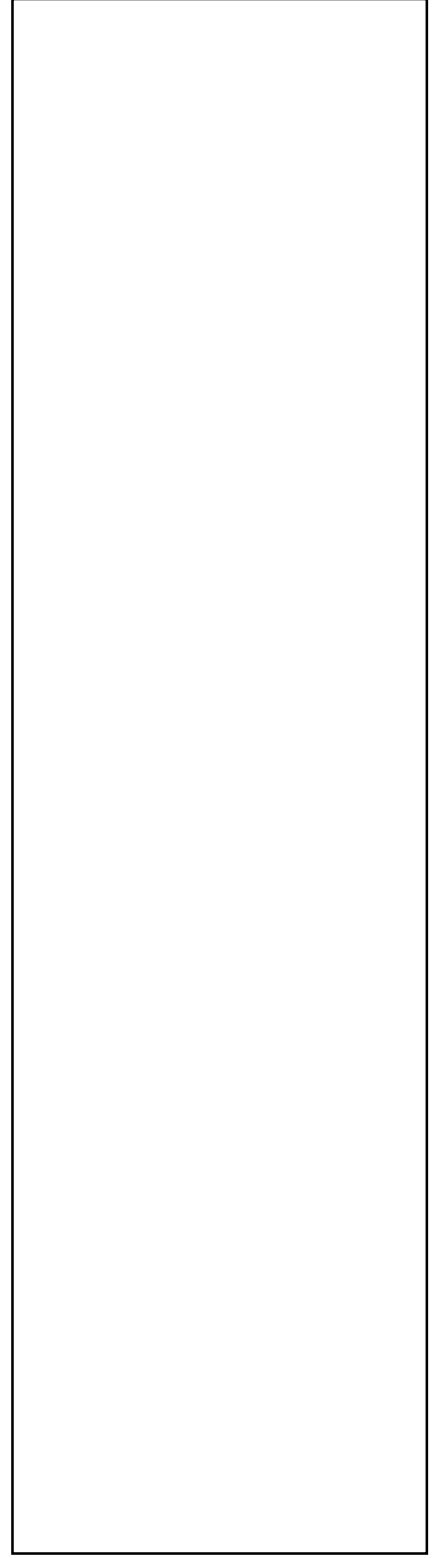
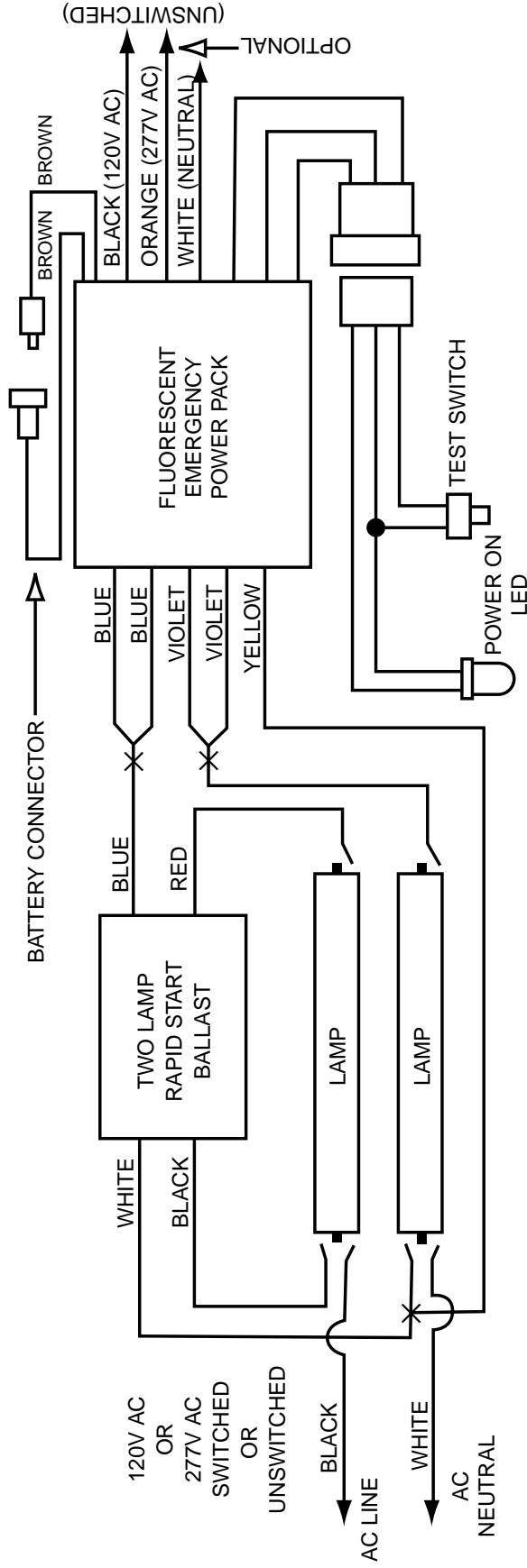
2LR5B_2LEO_AM10

TWO LAMP RAPID START BALLAST TWO LAMP EMERGENCY OPERATION



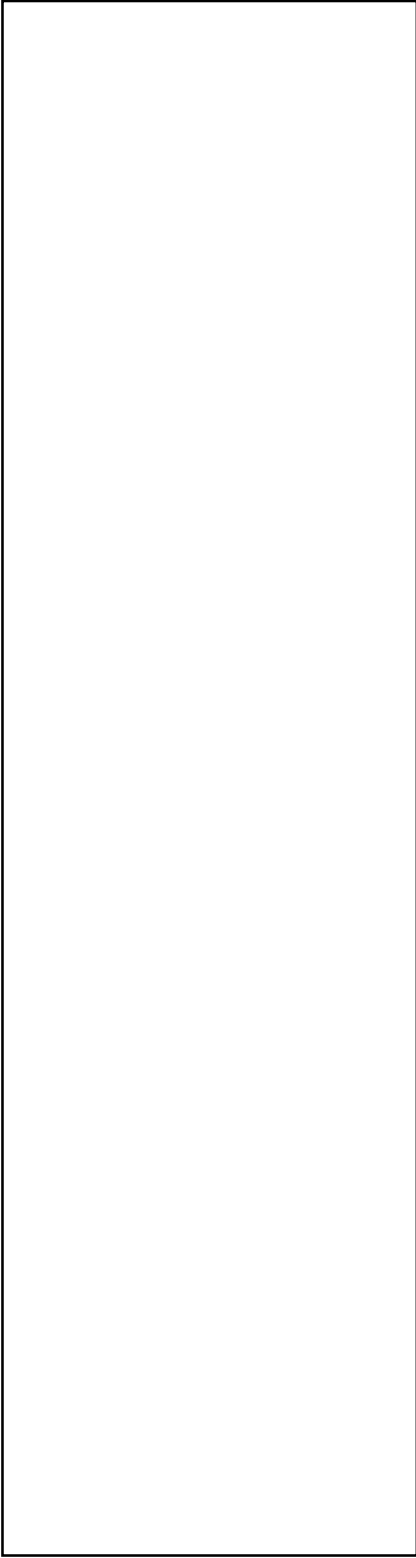
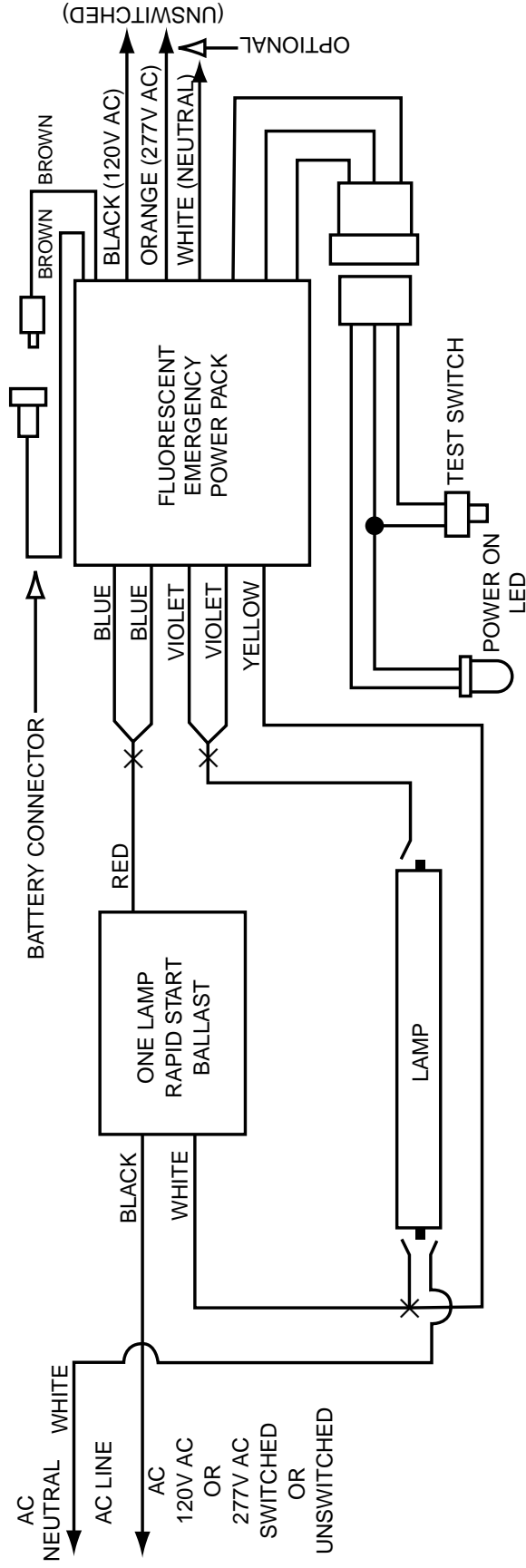
2LRSB_2_AM10

TWO LAMP RAPID START BALLAST



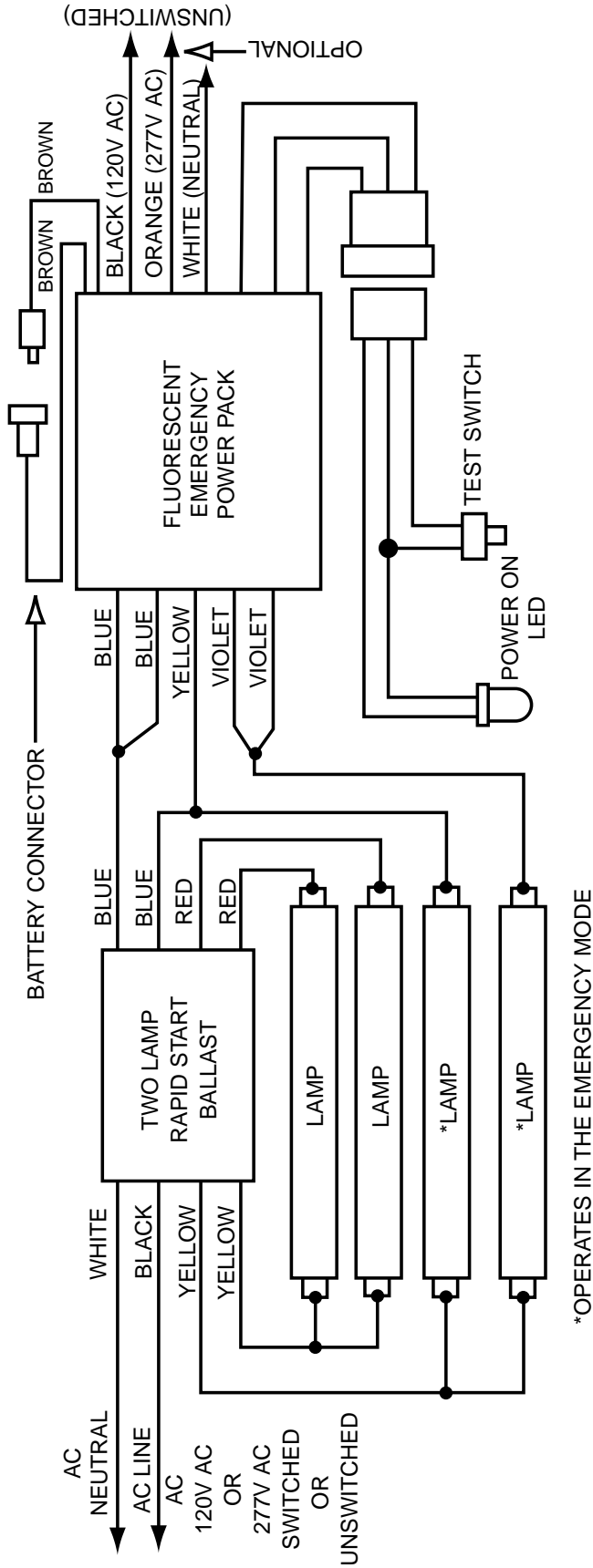
1LR5B2_AM10

ONE LAMP RAPID START BALLAST



4LR5B_AM10

FOUR LAMP RAPID START BALLAST TWO LAMP EMERGENCY OPERATION

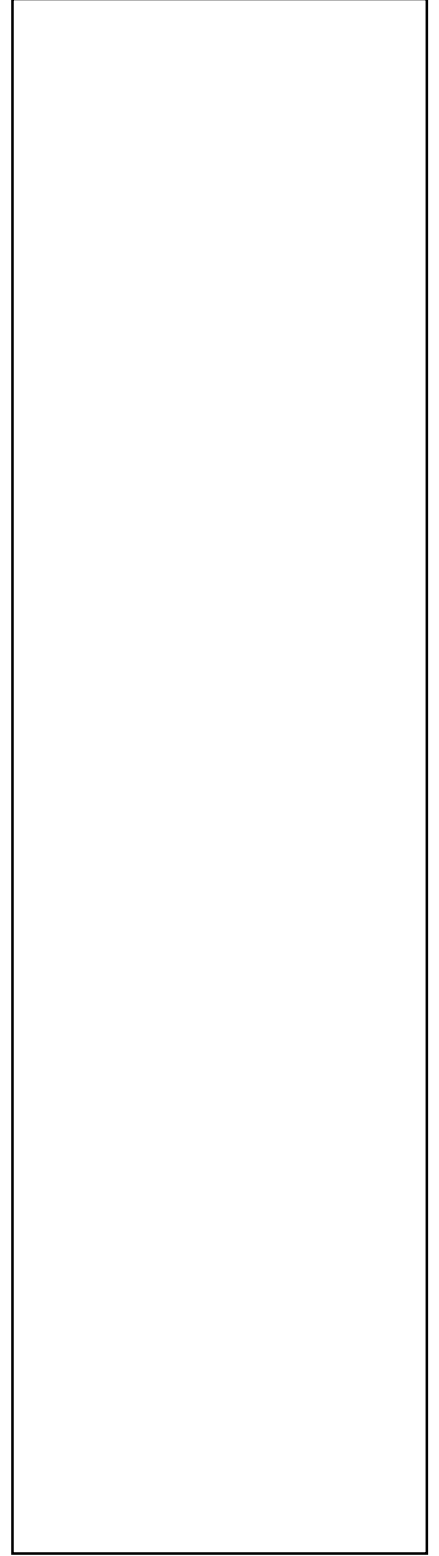
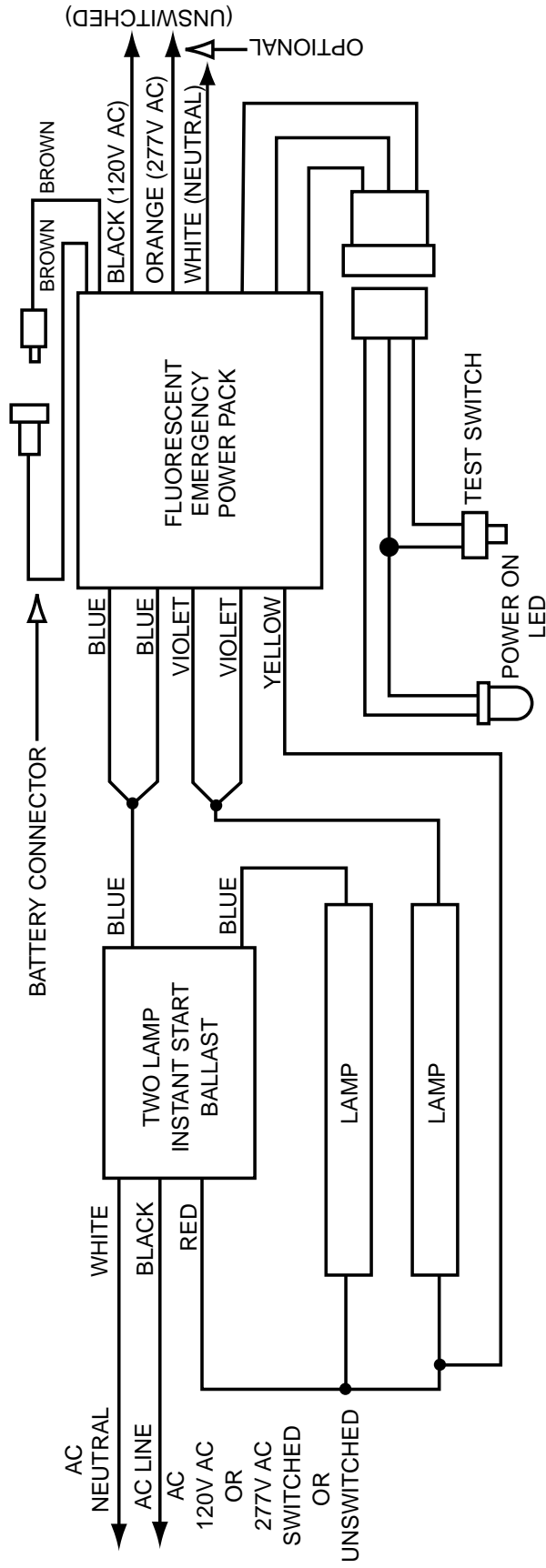


ADVANCE

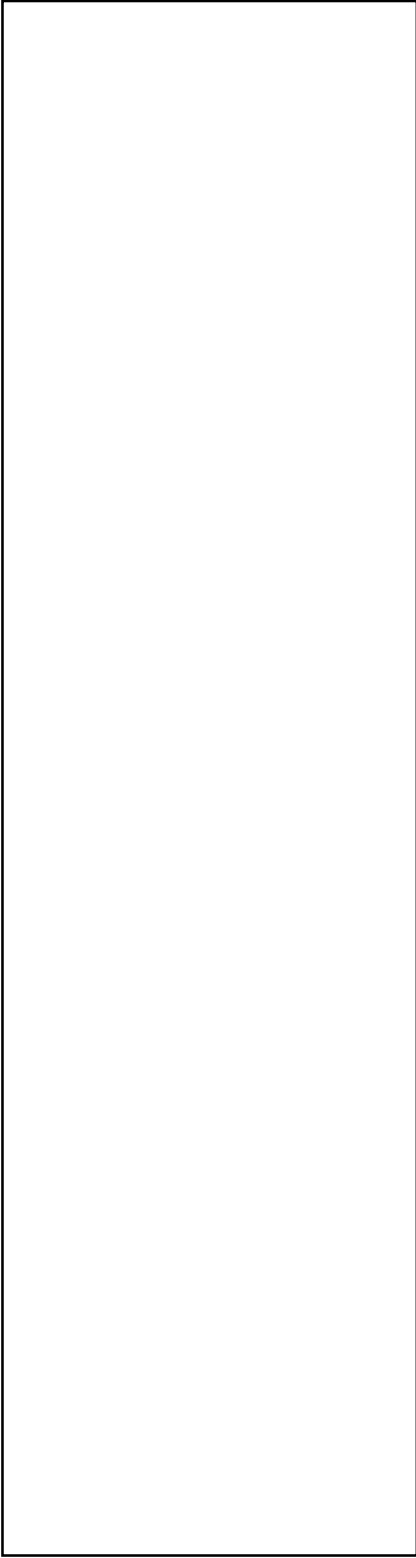
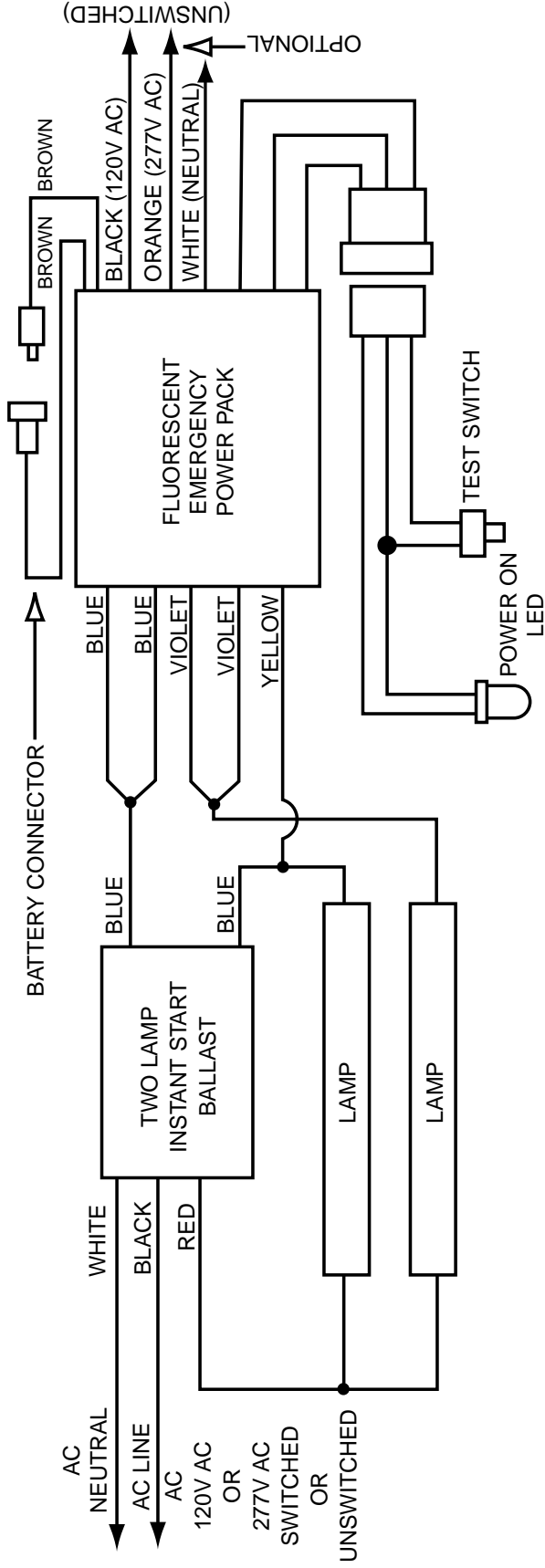
VEL-4P32-SC

2LISB_AM10

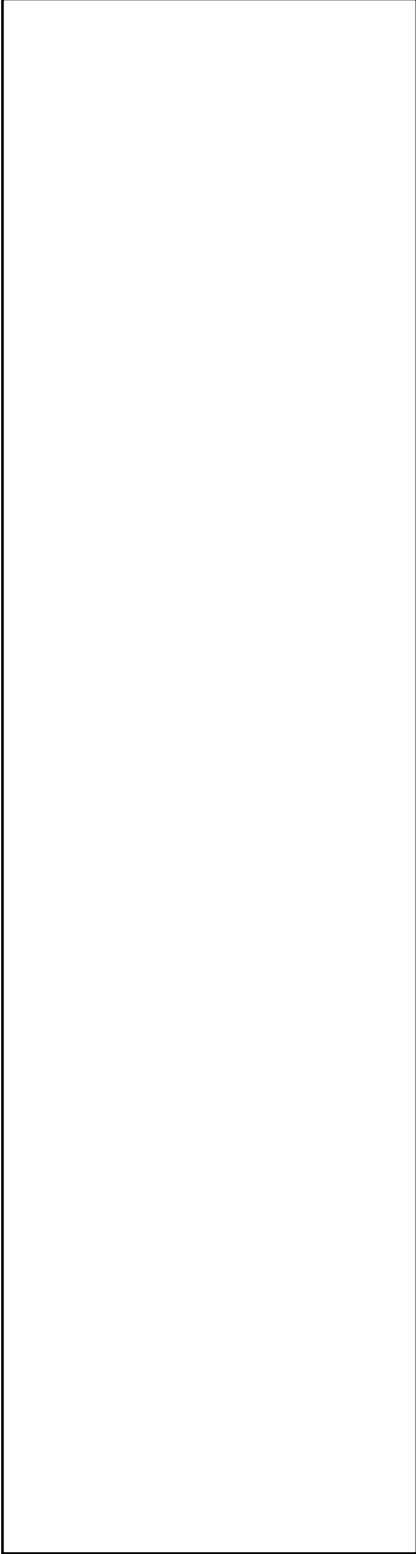
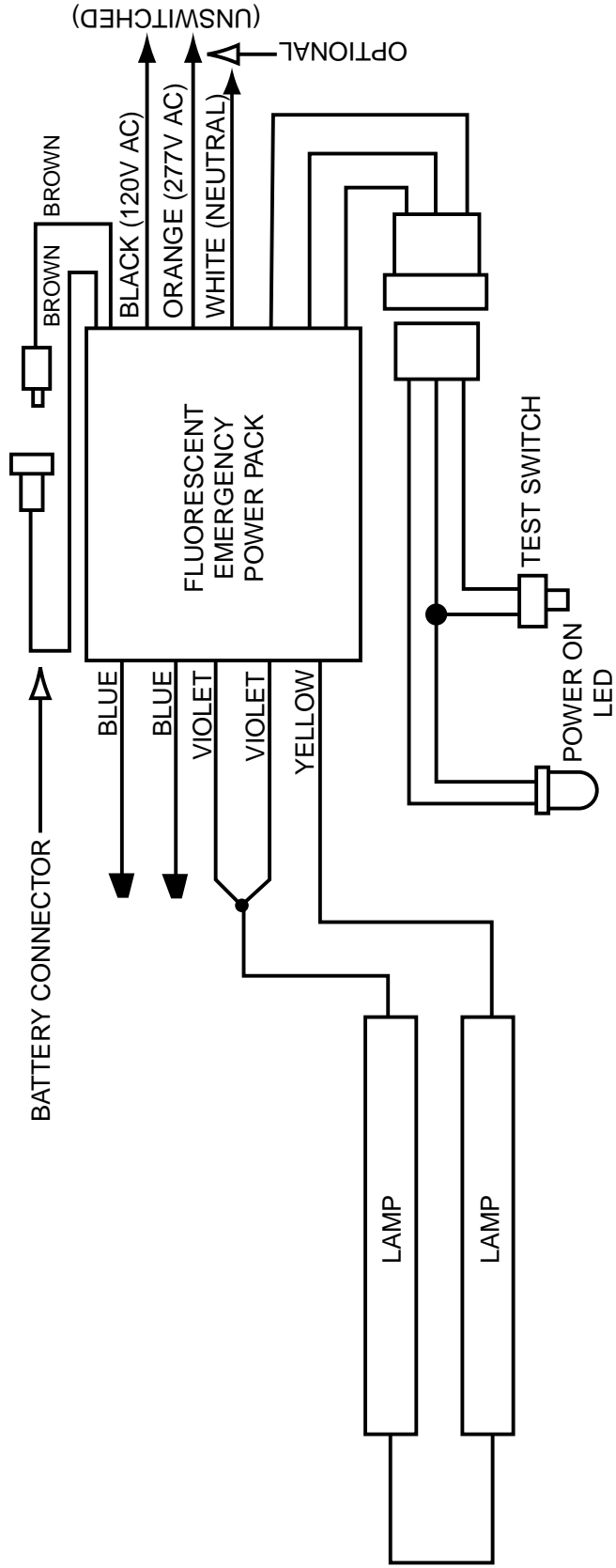
TWO LAMP INSTANT START BALLAST



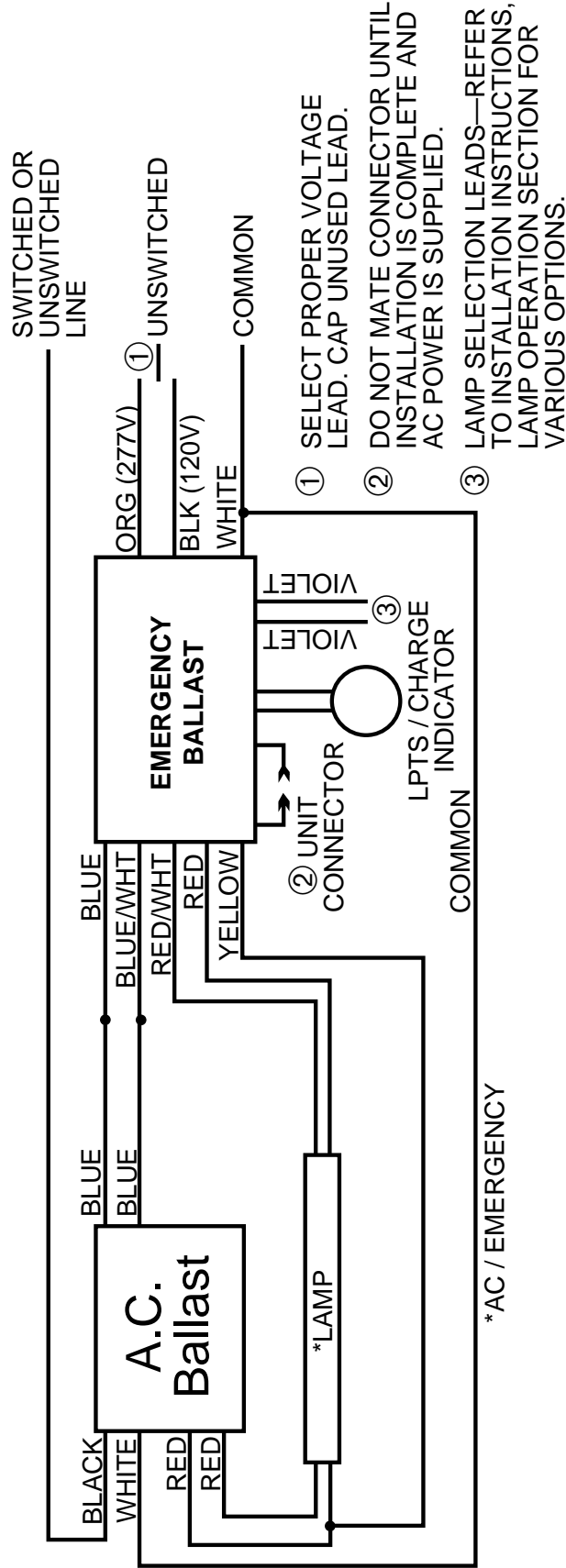
TWO LAMP INSTANT START BALLAST TWO LAMP EMERGENCY OPERATION



TWO LAMP EMERGENCY OPERATION ONLY



ONE LAMP RAPID START BALLAST



ADVANCE

HM/VM-1P30-TP
 HM/VHM-1P20-TP
 LQ/VLQ-106F-TP
 R/V-1P817-TP
 R/V-1P825-TP
 R/V-1P32-TP
 R/V-1P840-TP
 R/V-140-TP
 R/V-1U40P-TP
 RC/VC-160-TP
 RC/VC-1P40-TP
 RCN/VCN-1S32
 RCN/VCN-1S40
 REL/VEL-1S40-RH-TP
 REZ-132
 RIC/VIC-132-TP
 RIC/VIC-140-TP
 RK/VK-132-TP
 RK/VK-134-TP
 RS/VS-110-TP
 RS/VS-160-TP
 RZT/VZT-132*

EBT

ECG-120/277-1/40 SR
 SSB1-120/277-1/40 LH

GE

G1-RL-T8-1LL-120/277
 G1-RN-T8-10C-120/277
 G1-RN-T8-1LL-120/277
 G1-RN-T12-1LL-120/277

KINGTEC

132K120/277

LUTRON

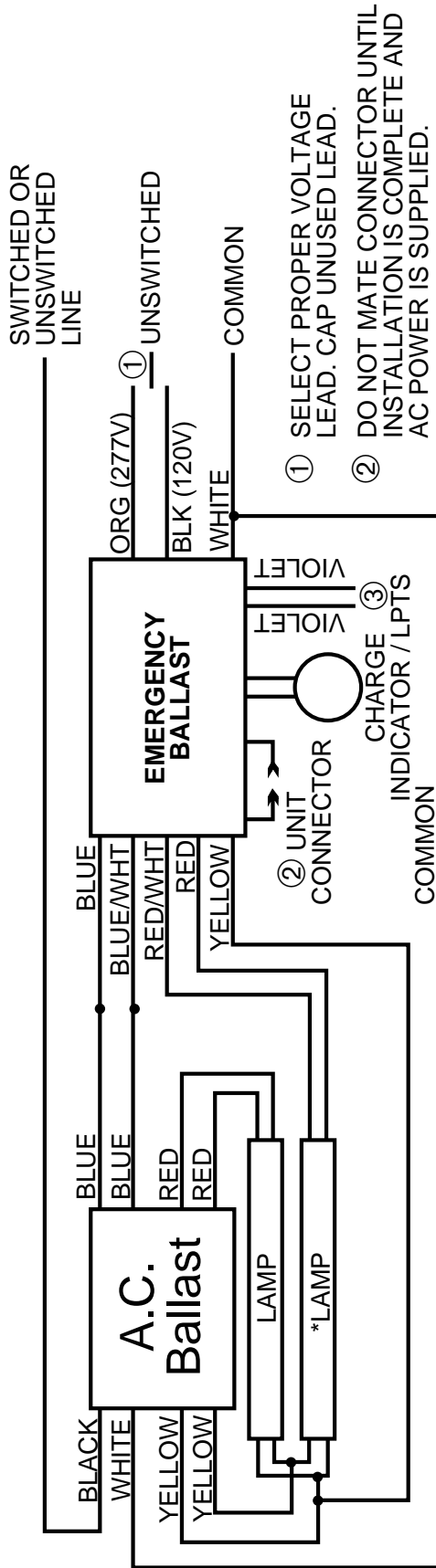
ECO-T832-120/277-1*
 FDB-4827-120/277-1*

MOTOROLA

M1-RL-T8-1LL-A-120/277
 M1-RL-T8-050-D-120
 M1-RN-T12-1LL-B-120/277
 M1-RN-T8-10C-B-120/277
 M1-RN-T8-1LL-D-120/277
 M1-RN-T8-HO-A-120/277
 M1-RV-T8-001-B-120

ALL COMPATIBLE BALLASTS MAY NOT BE LISTED.
 *DIMMING CONTROL WIRES ARE NOT AFFECTED BY EM PACK

TWO LAMP RAPID START BALLAST



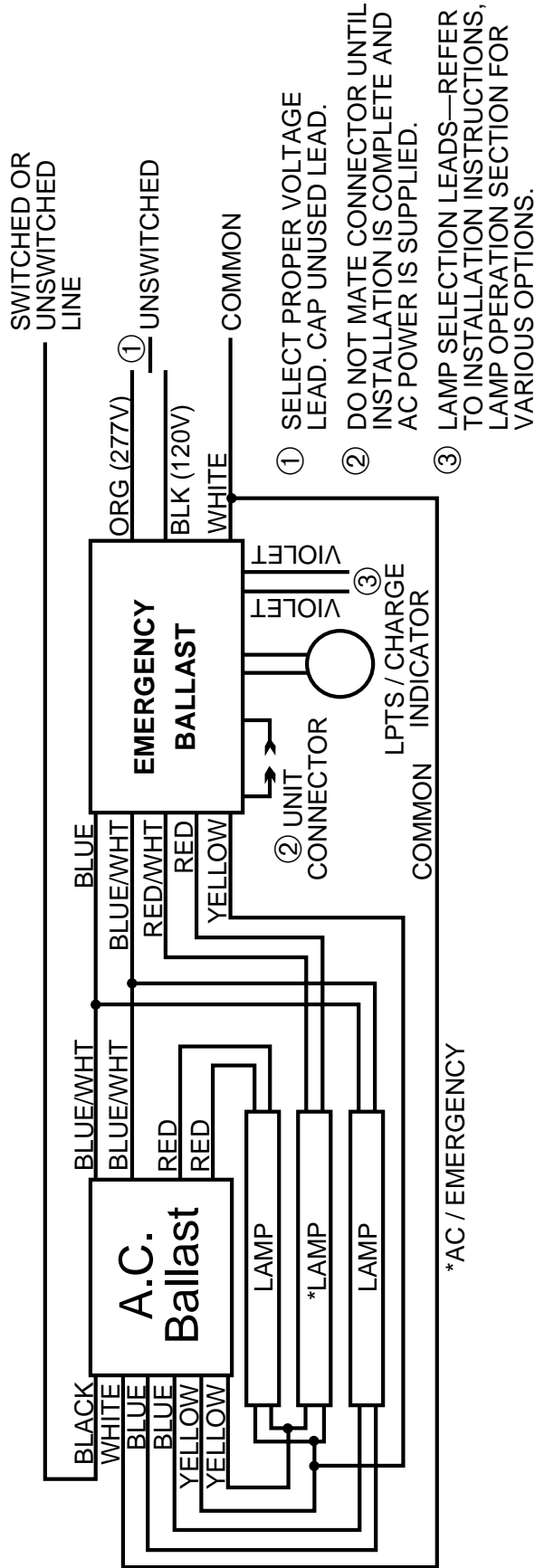
- ① SELECT PROPER VOLTAGE LEAD. CAP UNUSED LEAD.
- ② DO NOT MATE CONNECTOR UNTIL INSTALLATION IS COMPLETE AND AC POWER IS SUPPLIED.
- ③ LAMP SELECTION LEADS—REFER TO INSTALLATION INSTRUCTIONS, LAMP OPERATION SECTION FOR VARIOUS OPTIONS.

*AC / EMERGENCY

ADVANCE
HM/VM-2SP20-TP
R/V-2P817-TP
R/V-2P825-TP
R/V-2P832-TP
R/V-2P840-TP
R/V-2S40-TP
R/V-2SP30-TP
R/V-2S110-TP
RC/VC-2SP40-TP
RC/VC-2S85-TP/FO/RO
RC/VC-2S110-FO/RO
RC-2SP830-TP
RCN/VCN-2S32
RCN/VCN-2S40
REL/VEL-2S40-RH-TP
REL/VEL-2S110-RH-TP
REL/VEL-2TTS39-RH-TP
REL/VEL-2TTS40-RH-TP
REL/VEL-2TTS50-RH-TP
RL-2SP20-TP
RM-2S35-TP
RM/VM-2SP30-TP
RIC/VIC-2S32
RIC/VIC
REZ/VEZ-2S32
EBT
ECG-120/277-2/32 SR
ECG-120/277-2/40 SR
SSB1-120/277-2/32 LH
SSB1-120/277-2/40 LH /-(75%)/-(MPX)
SSB7-120/277-2/32 LH
GE
G2-RH-T8-8FT-120/277
G2-RL-T8-1LL-120/277
G2-RN-T8-10C-120/277
G2-RN-T8-1LL-120/277
G2-RN-T12-1LL-120/277
GOLDSTAR
GB 2x32/FL/R/VHP
KINGTEC
232K120/277
232K120-75%
232K2120
240K120/277
LUTRON
ECO-T832-120/277-2*
FDB-4827-120/277-2*
MAGNETEK
B232 R277 HP
MOTOROLA
M2-RH-T8-1LL-B-120/277
M2-RL-T8-1LL-A-120/277
M2-RN-T12-1LL-B-120/277
M2-RN-T8-10C-B-120/277
M2-RN-T8-1LL-D-120/277

ALL COMPATIBLE BALLASTS MAY NOT BE LISTED.
*DIMMING CONTROL WIRES ARE NOT AFFECTED BY EM PACK

THREE LAMP RAPID START BALLAST



ADVANCE

- R/V-3S34-TP
- RCN/VCN-3S32
- RCN/VCN-3S40
- REL/VEL-3S40-RH-TP
- RIC/VIC-3S32-TP
- RIC/VIC-3S40-TP
- RK/VK-3S34-TP
- RL-2SP20-TP
- RZT/VZT-3S32*
- REZ/VEZ-3S32*

EBT

- SSB1-120/277-3/32 LH
- SSB1-120/277-3/40 LH

GE

- G3-RL-T8-ILL-120/277
- G3-RL-T8-10C-120/277
- G3-RN-T8-1LL-120/277
- G3-RN-T12-1LL-120/277

LUTRON

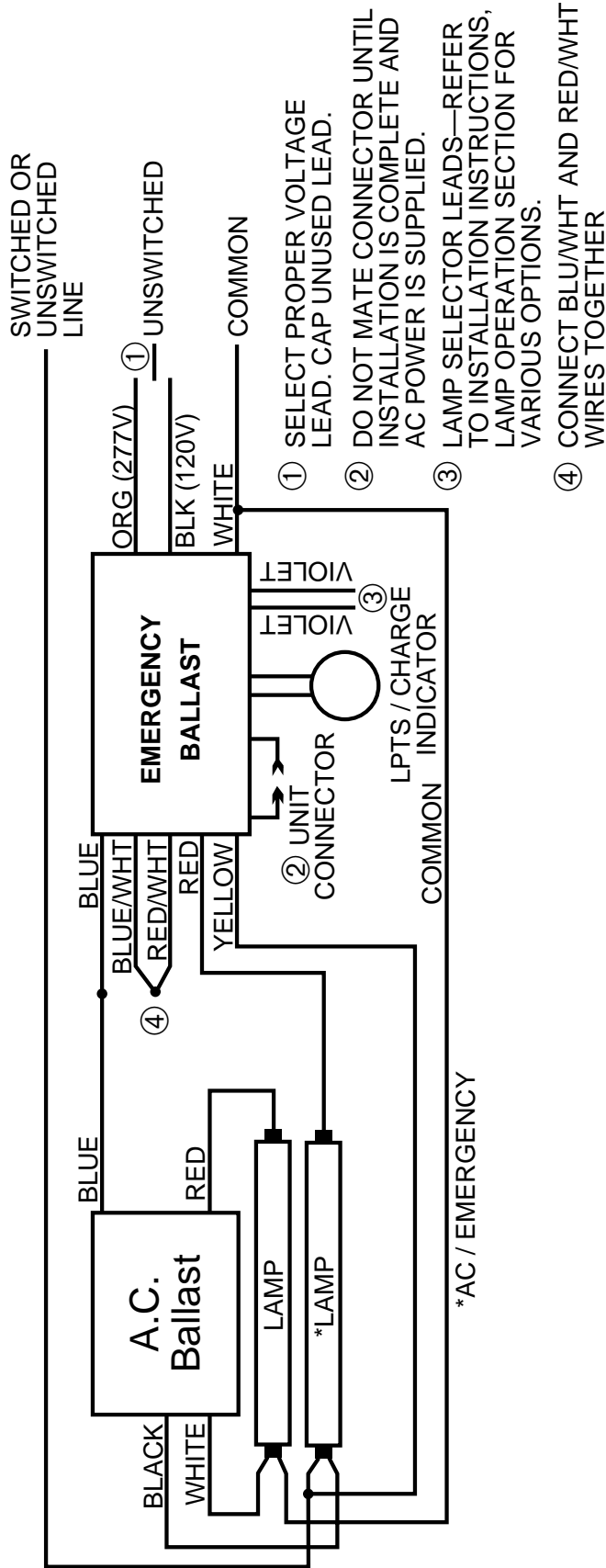
- ECO-T832-120/277-3*
- FDB-4827-120/277-3*

MOTOROLA

- M3-RL-T8-1LL-A-120/277
- M3-RN-T12-1LL-B-120/277
- M3-RN-T8-1LL-A-120/277

ALL COMPATIBLE BALLASTS MAY NOT BE LISTED.
 *DIMMING CONTROL WIRES ARE NOT AFFECTED BY EM PACK

TWO LAMP INSTANT START BALLAST

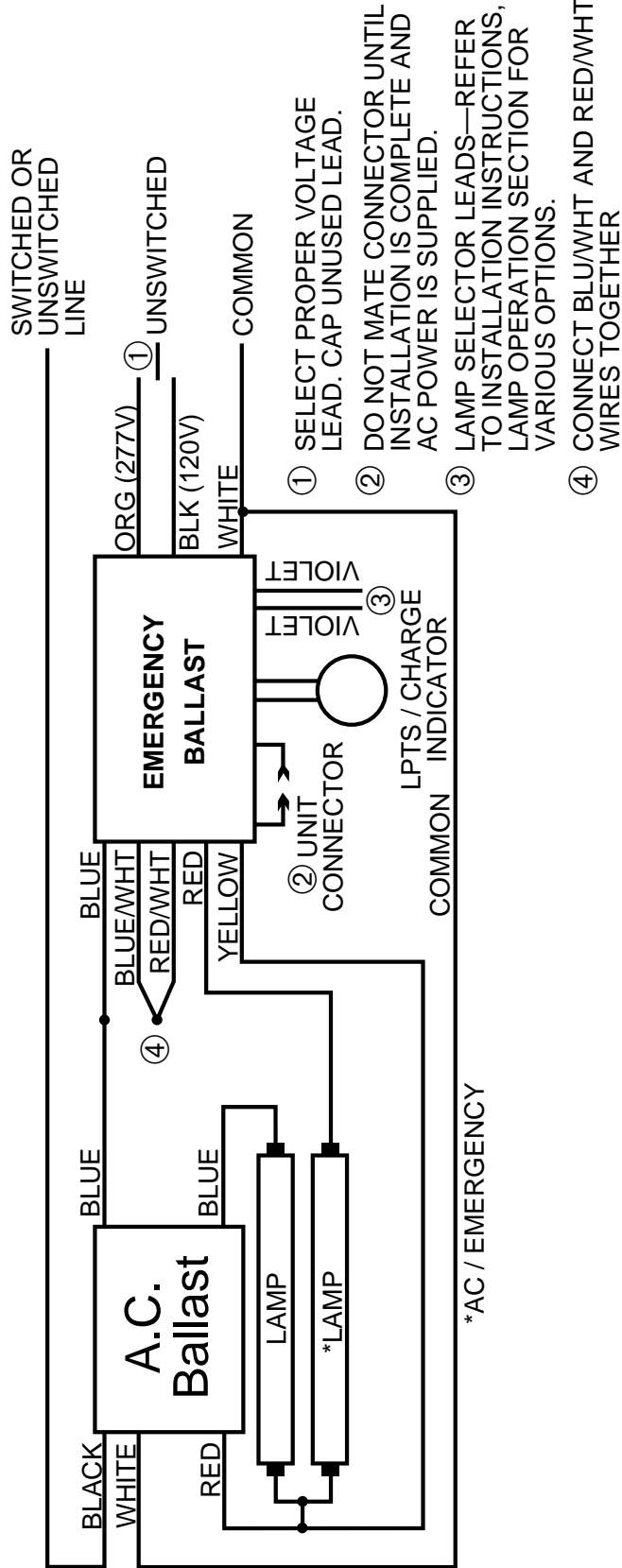


ADVANCE

R-2E75-S-TP

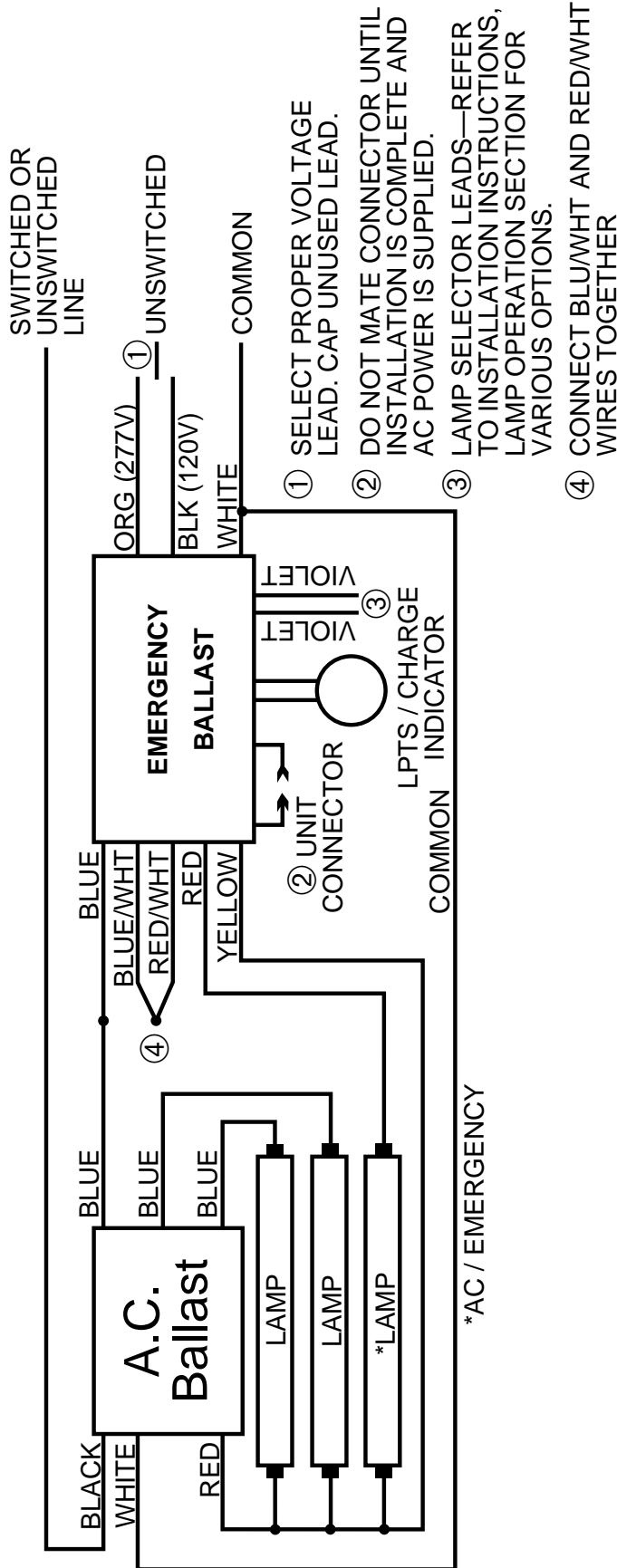
ALL COMPATIBLE BALLASTS MAY NOT BE LISTED.
*DIMMING CONTROL WIRES ARE NOT AFFECTED BY EM PACK

TWO LAMP INSTANT START BALLAST



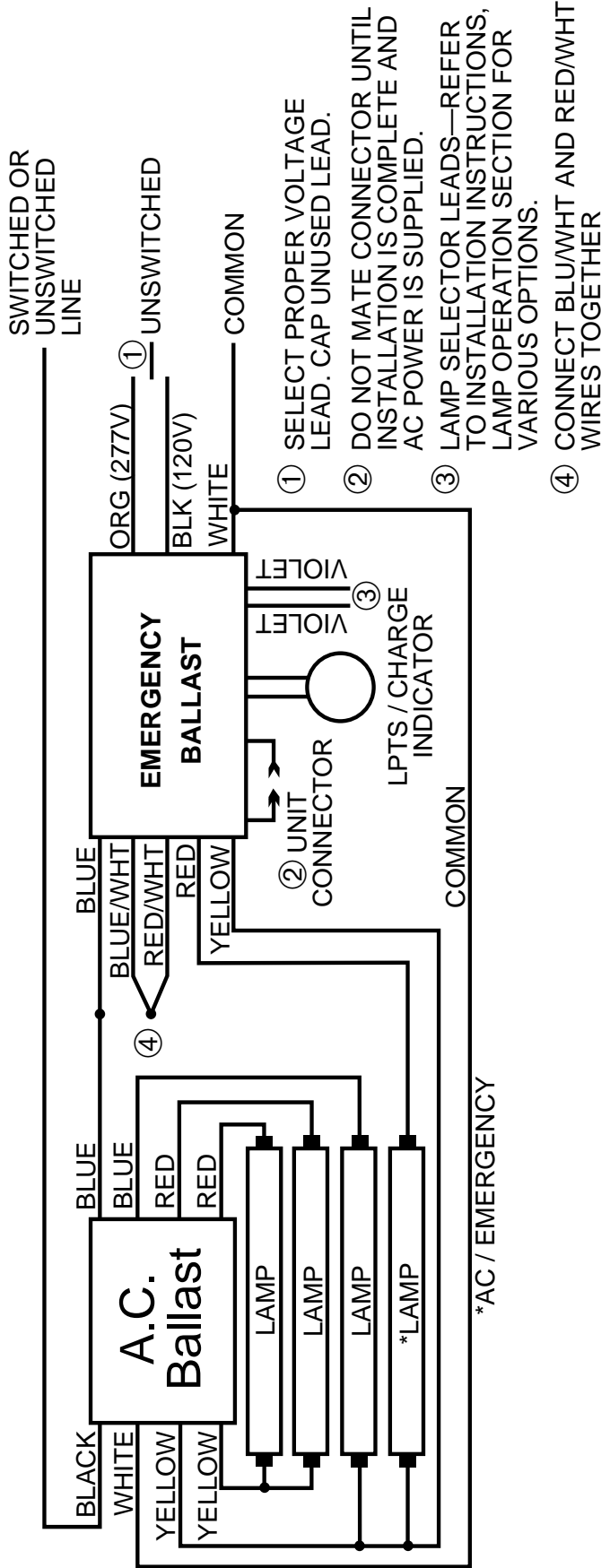
ADVANCE
RCN/VCN-2P32
REL-2P60-S-RH-TP
REL/VEL-2P17-RH-TP
REL/VEL-2P32-LW-RH-TP
REL/VEL-2P32-RH-TP
REL/VEL-2P32-SC
REL/VEL-2P59-S-RH-TP
REL/VEL-2S86-RH-TP
VEL-2P75-S-RH-TP
EBT
ECG-120/277-2/32 PI
SSB2-120/277-2/17 IS LH
SSB2-120/277-2/32 IS LH
SSB2-120/277-2/59 IS LH
SSB2-120/277-2/96 IS LH /-(MEX)
SSB2-120/277-2/90 IS MPX LH
GE
G2-1L-T8-8FT-120/277
G2-IN-T8-120/277
GOLDSTAR
GB 1x32/FL/I/120-277
GB 1x32/FL/I/120L-277L
GB 1x32/FL/I/120HBF-277HBF
HOWARD
E2/32IS-120/277
EC2/32IS-120/277
KINGTEC
232K1120-IS/277-IS
296K120-T12/277-T12
296K120-T8/277-T8
MAGNETEK
B232120/277HP
B232120/277RH
MOTOROLA
M2-IL-T8-GP-D-120/277
M2-IN-T8-D-120/277
M2-IN-T8-1LL-D-120/277
M2-IN-T8-8FT-A-120/277
M2-IN-T8-8GP-A-120/277
M2-IN-T8-GP-D-120/277
ALL COMPATIBLE BALLASTS MAY NOT BE LISTED. *DIMMING CONTROL WIRES ARE NOT AFFECTED BY EM PACK

THREE LAMP INSTANT START BALLAST



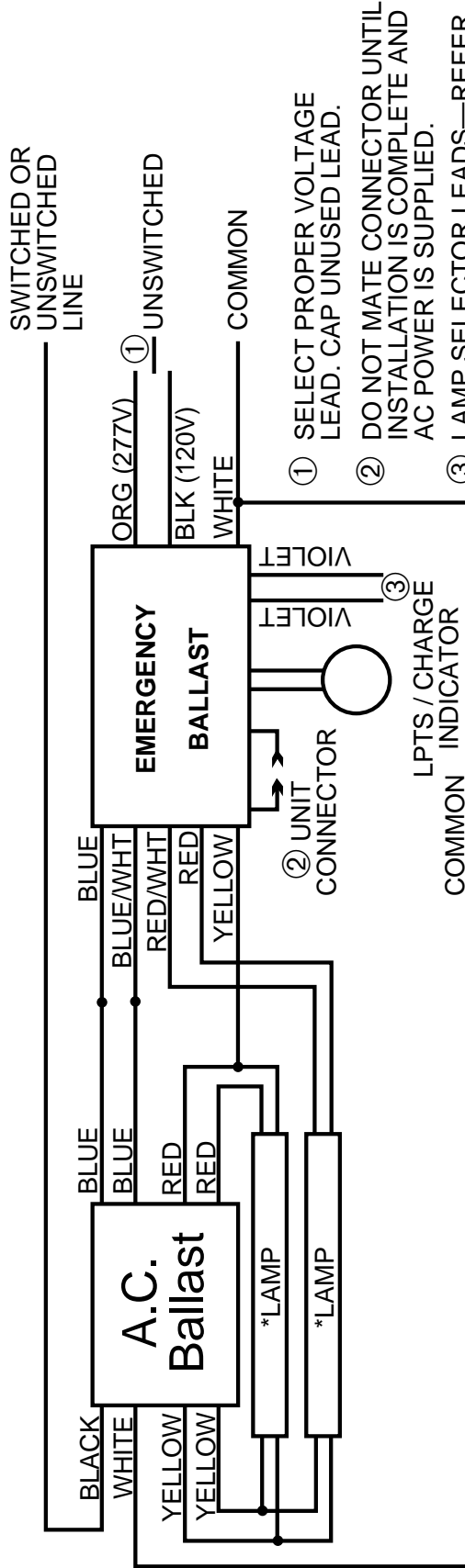
ADVANCE
RCN/VCN-3P32 REL/VEL 3P32-RH-TP REL/VEL-3P32-LW-RH-TP
EBT
SSB2-120/277-3/32 IS LH
GE
G3-IN-T8-120/277
GOLDSTAR
GB 3x32/FL/I/120-277 GB 3x32/FL/I/120L-277L
HOWARD
E3/32IS-120/277 EC3/32IS-120/277 ECL3/32IS-120/277 EL3/32IS-120/277
MAGNETEK
B3321120/277RH B3321120/277HP
MOTOROLA
M3-IL-T8-GP-A-120/277 M3-IN-T8-A-120/277 M3-IN-T8-D-120/277 M3-IN-T8-GP-A-120/277
ALL COMPATIBLE BALLASTS MAY NOT BE LISTED. *DIMMING CONTROL WIRES ARE NOT AFFECTED BY EM PACK

FOUR LAMP INSTANT START BALLAST



ADVANCE
RCN/VCN-4P32 REL/VEL-4P32-RH-TP REL/VEL-4P32-LW-RH-TP
EBT
SSB2-120/277-4/32 IS LH /-(75%)
GE
G4-IN-T8-120/277
GOLDSTAR
GB 4X32/FL/I/120-277 GB 4X32/FL/I/120L-277L
HOWARD
E4/32IS-120/277 EC4/32IS-120/277
KINGTEC
432K120-IS/277-IS 432K120-75%
MAGNETEK
B4321120/277HP B4321120/277RH
MOTOROLA
M4-IL-T8-GP-A-120/277 M4-IN-T8-A-120/277 M4-IN-T8-D-120/277 M4-IN-T8-GP-A-120/277
ALL COMPATIBLE BALLASTS MAY NOT BE LISTED. *DIMMING CONTROL WIRES ARE NOT AFFECTED BY EM PACK

TWO LAMP RAPID START BALLAST WITH TWO LAMP EMERGENCY OPERATION



*AC / EMERGENCY

ADVANCE

- HM/VM-2SP20-TP
- R/V-2P817-TP
- R/V-2P825-TP
- R/V-2P832-TP
- R/V-2P840-TP
- R/V-2S40-TP
- R/V-2SP30-TP
- R/V-2S110-TP
- RC/VC-2SP40-TP
- RC/VC-2S85-TP
- RC-2SP830-TP
- RCN/VCN-2S32
- RCN/VCN-2S40
- REL/VEL-2S40-RH-TP
- RM-2S35-TP
- RM/VM-2SP30-TP
- RL-2SP20-TP
- RIC/VIC-2S32
- RIC/VIC-2S40-TP
- REZ/VEZ-2S32
- RK/VK-2S32-TP
- RK/VK-2S34-TP
- RK/VK-2S40-TP
- RK/VK-2S110-TP
- RS/VS-2S60-TPS
- RS/VS-2S110-TP
- RZT/VZT-2S32*

EBT

- ECG-120/277-2/32 SR
- ECG-120/277-2/40 SR
- SSB1-120/277-2/32 LH
- SSB1-120/277-2/40 LH /-(75%)/-(MPX)
- SSB7-120/277-2/32 LH

GE

- G2-RH-T8-1LL-120/277
- G2-RL-T8-1LL-120/277
- G2-RN-T8-10C-120/277
- G2-RN-T8-1LL-120/277
- G2-RN-T12-1LL-120/277

GOLDSTAR

- GB 2X32/FL/R/VHP

KINGTEC

- 232K120/277
- 232K120-75%
- 232K2120
- 240K120/277

LUTRON

- ECO T832-120/277-2*
- FDB 4827-120/277-2*

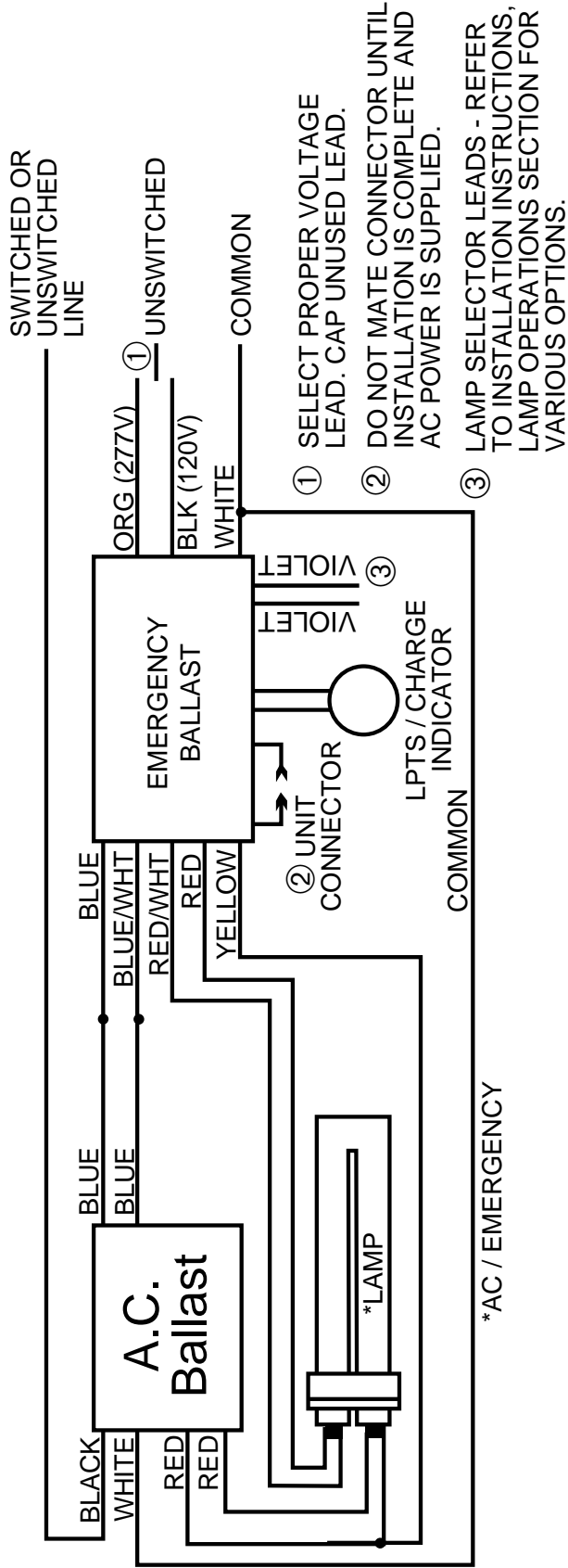
MOTOROLA

- M2-RH-T8-1LL-B-120/277
- M2-RL-T8-1LL-A-120/277
- M2-RN-T12-1LL-B-120/277
- M2-RN-T8-10C-B-120/277
- M2-RN-T8-1LL-D-120/277

ALL COMPATIBLE BALLASTS MAY NOT BE LISTED.
*DIMMING CONTROL WIRES ARE NOT AFFECTED BY EM PACK

1BXLR5B

ONE BIAX LAMP RAPID START BALLAST



ADVANCE

R/V-1BP27-TP
R/V-1BP39-TP
R/V-1BP40-TP

EBT

SSB1-120/277-1/50 TT LH

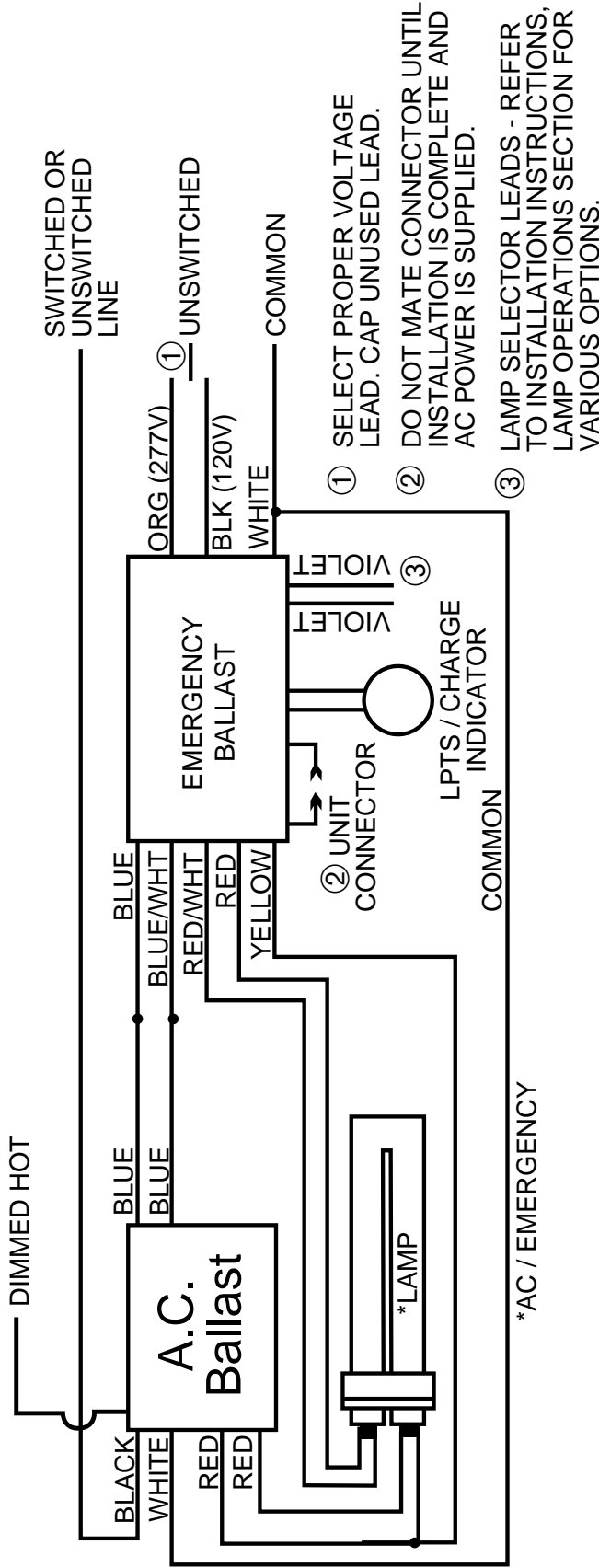
MOTOROLA

M1-RL-T8-1LL-A-120/277
M1-RL-T8-050-D-120
M1-RN-T12-1LL-B-120/277
M1-RN-T8-10C-B-120/277
M1-RN-T8-1LL-D-120/277
M1-RN-T8-HO-A-120/277
M1-RV-T8-001-B-120

ALL COMPATIBLE BALLASTS MAY NOT BE LISTED.
*DIMMING CONTROL WIRES ARE NOT AFFECTED BY EM PACK

1BXLRSB_DM_80

ONE BIAx LAMP RAPID START BALLAST WITH DIMMING CONTROL



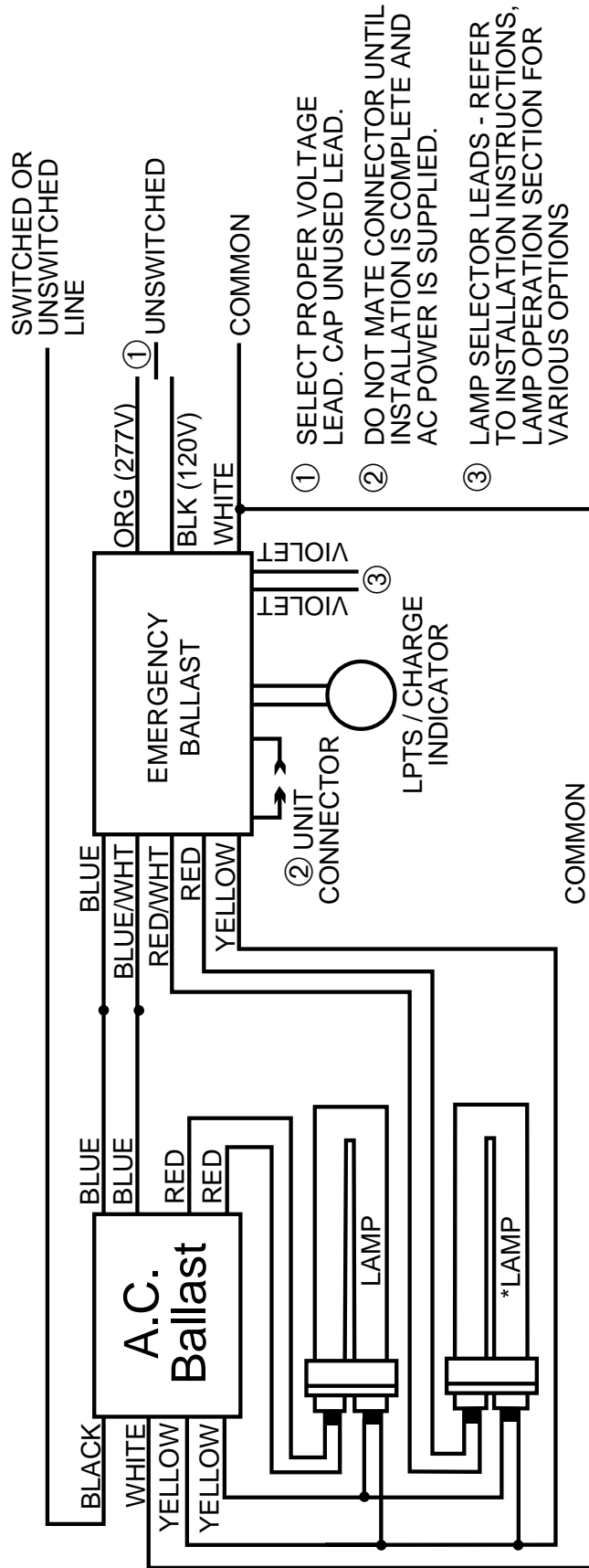
LUTRON

ECO-T540-120/277-1

ALL COMPATIBLE BALLASTS MAY NOT BE LISTED.
 *DIMMING CONTROL WIRES ARE NOT AFFECTED BY EM PACK

2BXLRSB_80

TWO BIAX LAMP RAPID START BALLAST



*AC / EMERGENCY

ADVANCE

R/V-2BS27-TP
R/V-2BS39-TP
R/V-2BS40-TP

EBT

SSB1-120/277-2/39 TT LH
SSB1-120/277-2/40 TT LH /-(75%)
SSB1-120/277-2/50 TT LH

GE

G2-RN-T5/40-ILL-120/277

LUTRON

ECO-T540-120/277-2

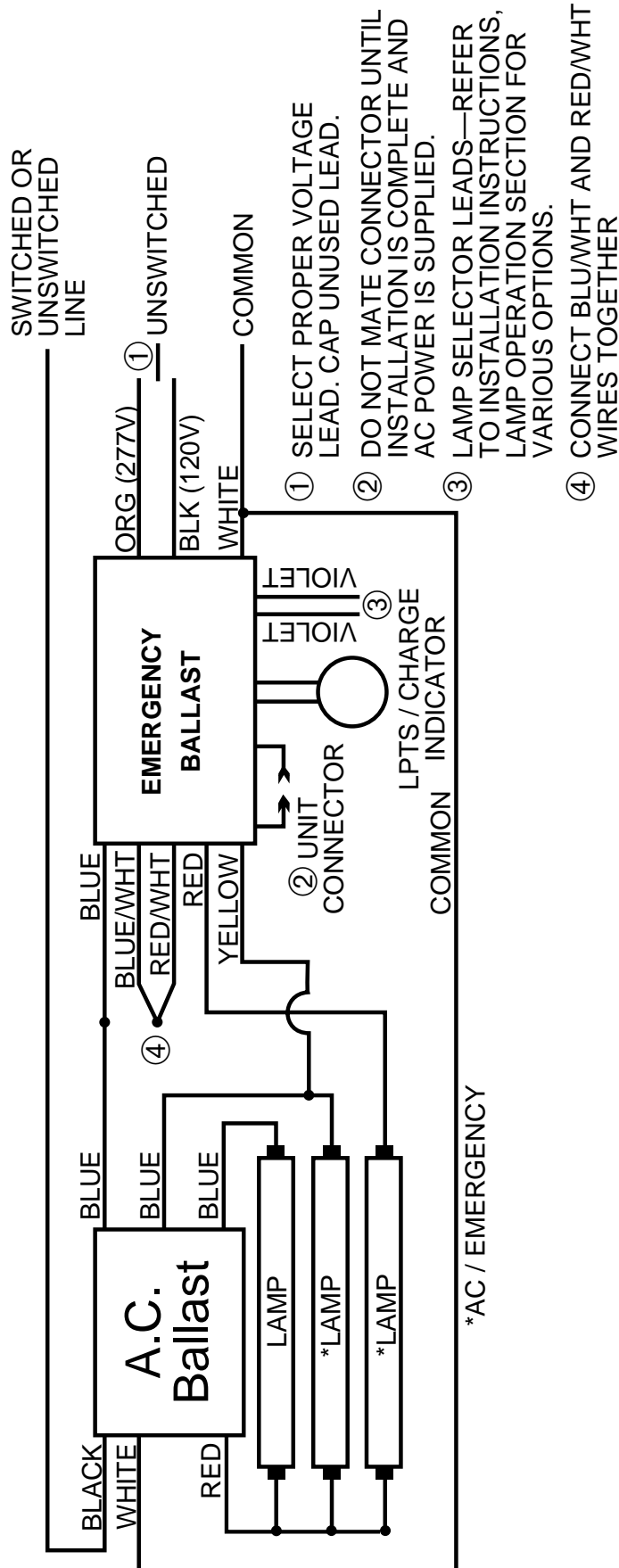
MOTOROLA

M2-RH-T8-1LL-B-120/277
M2-RL-T8-1LL-A-120/277
M2-RN-T12-1LL-B-120/277
M2-RN-T5/40-1LL-B-120/277
M2-RN-T8-10C-B-120/277
M2-RN-T8-1LL-D-120/277

ALL COMPATIBLE BALLASTS MAY NOT BE LISTED.
*DIMMING CONTROL WIRES ARE NOT AFFECTED BY EM PACK

3LISB_2LEO_80

THREE LAMP INSTANT START BALLAST WITH TWO LAMP EMERGENCY OPERATION



ADVANCE

RCN/VCN-3P32
REL/VEL 3P32-RH-TP
REL/VEL-3P32-RH-TP

EBT

SSB2-120/277-3/32 IS LH

GE

G3-IN-T8-120/277

GOLDSTAR

GB 3x32/FL/I/120-277
GB 3x32/FL/I/120L-277

HOWARD

E3/32IS-120/277
EC3/32IS-120/277
ECL3/32IS-120/277
EL3/32IS-120/277

MAGNETEK

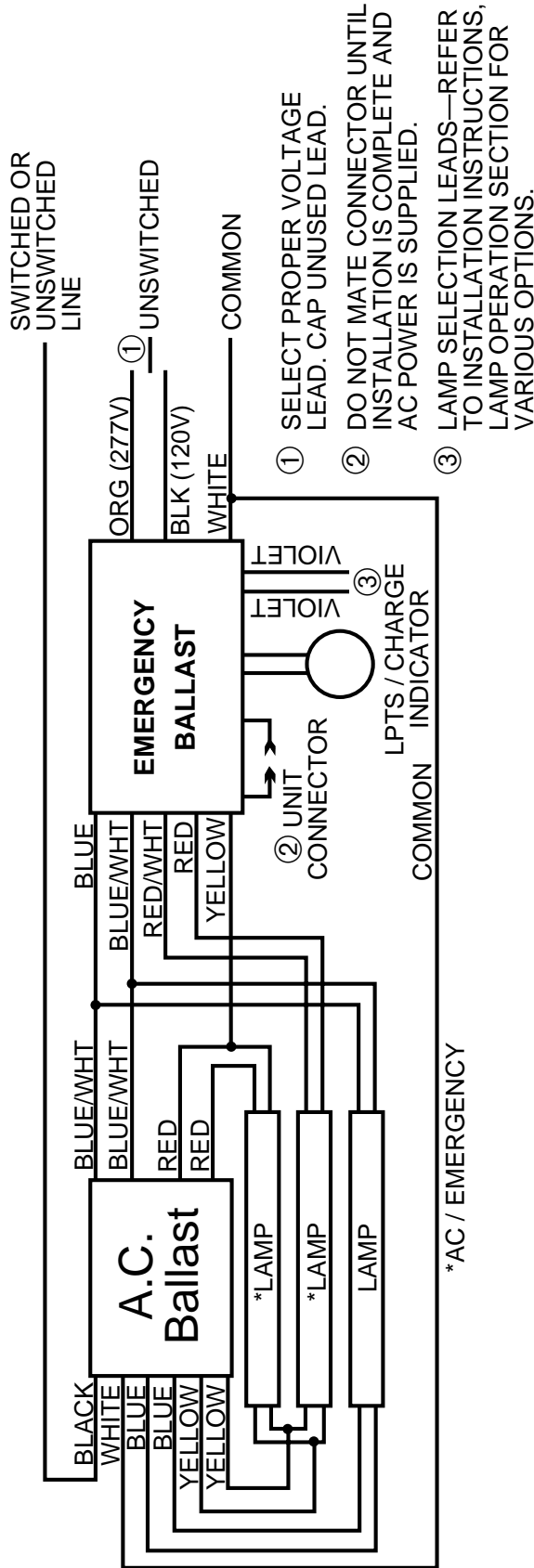
B3321120/277RH
B3321120/277HP

MOTOROLA

M3-IL-T8-GP-A-120/277
M3-IN-T8-A-120/277
M3-IN-T8-D-120/277
M3-IN-T8-GP-A-120/277

ALL COMPATIBLE BALLASTS MAY NOT BE LISTED.
*DIMMING CONTROL WIRES ARE NOT AFFECTED BY EM PACK

THREE LAMP RAPID START BALLAST WITH TWO LAMP EMERGENCY OPERATION



ADVANCE

R/V-3S34-TP
 RCN/VCN-3S32
 RCN/VCN-3S40
 REL/VEL-3S40-RH-TP
 RIC/MIC-3S32-TP
 RIC/MIC-3S40-TP
 RK/VK-3S34-TP
 RL-3SP20-TP
 RZT/VZT-3S32*
 REZ/VEZ-3S32*

EBT

SSB1-120/277-3/32 LH
 SSB1-120/277-3/40 LH

GE

G3-RL-T8-1LL-120/277
 G3-RN-T8-10C-120/277
 G3-RN-T8-1LL-120/277
 G3-RN-T12-1LL-120/277

LUTRON

ECO-T832-120/277-3*
 FDB-4827-120/277-3*

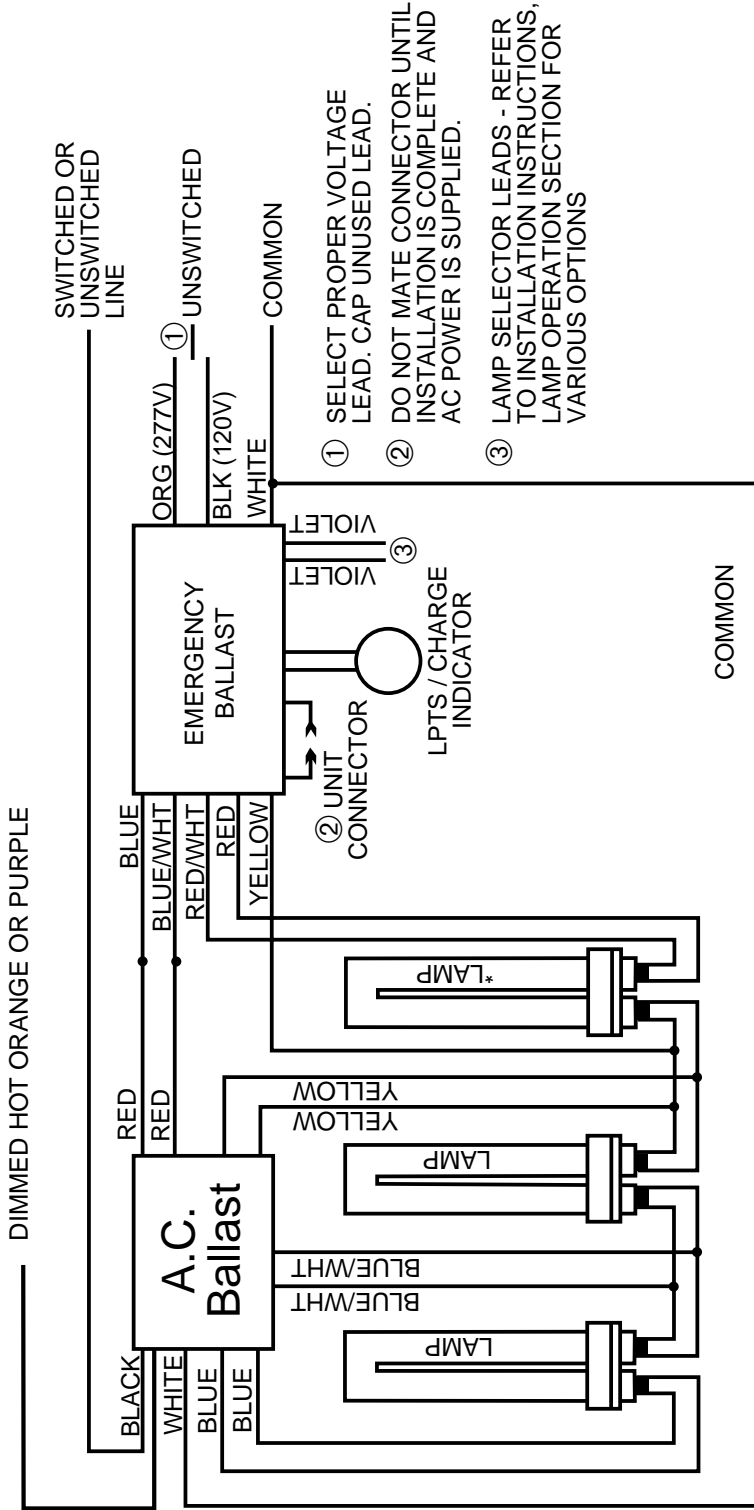
MOTOROLA

M3-RL-T8-1LL-A-120/277
 M3-RN-T12-1LL-B-120/277
 M3-RN-T8-1LL-A-120/277

ALL COMPATIBLE BALLASTS MAY NOT BE LISTED.
 *DIMMING CONTROL WIRES ARE NOT AFFECTED BY EM PACK

3BXLRSB_DM_80

THREE BIAx RAPID START BALLAST WITH DIMMING CONTROL



*AC / EMERGENCY

EBT

SSB1-120/277-3/39 TT LH

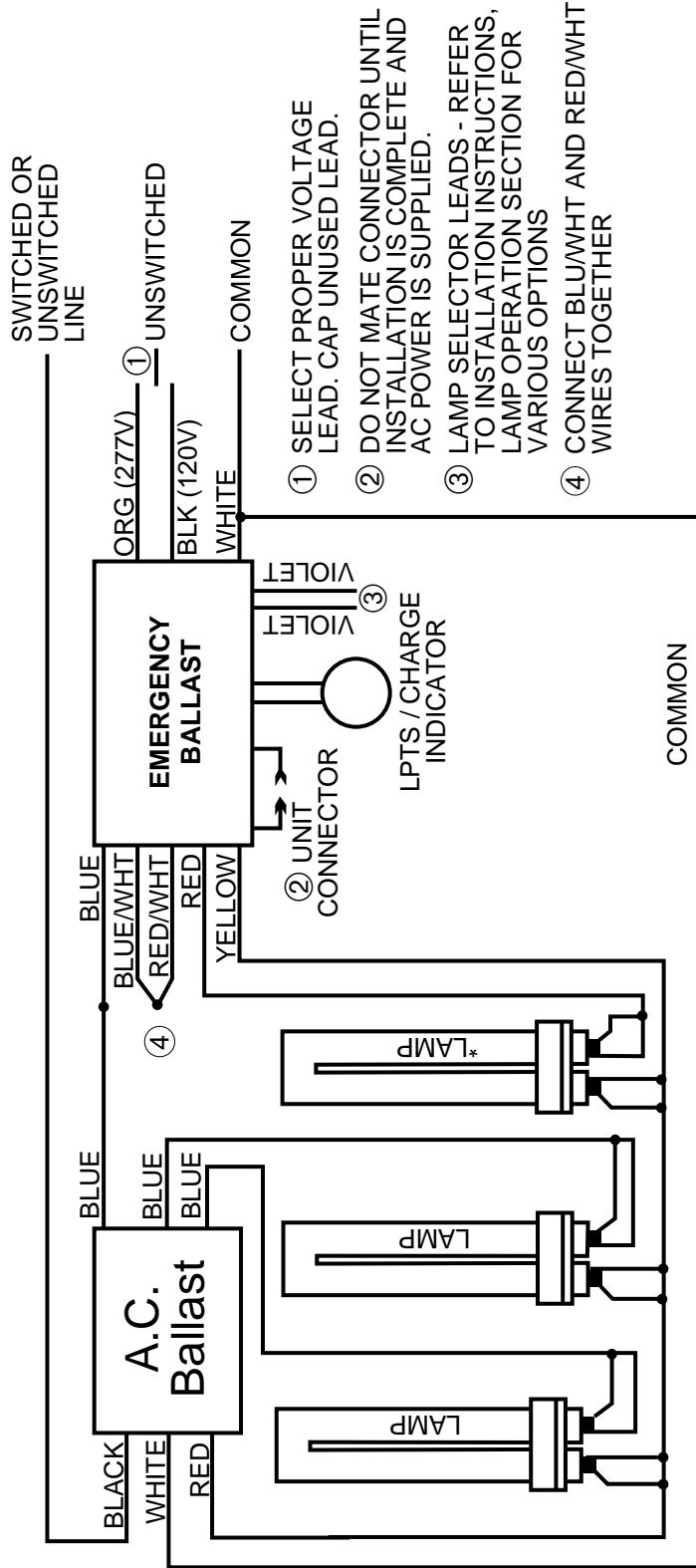
LUTRON

ECO-T540-120/277-3

ALL COMPATIBLE BALLASTS MAY NOT BE LISTED.
*DIMMING CONTROL WIRES ARE NOT AFFECTED BY EM PACK

3LBXIN_80

THREE LAMP BIAx INSTANT START

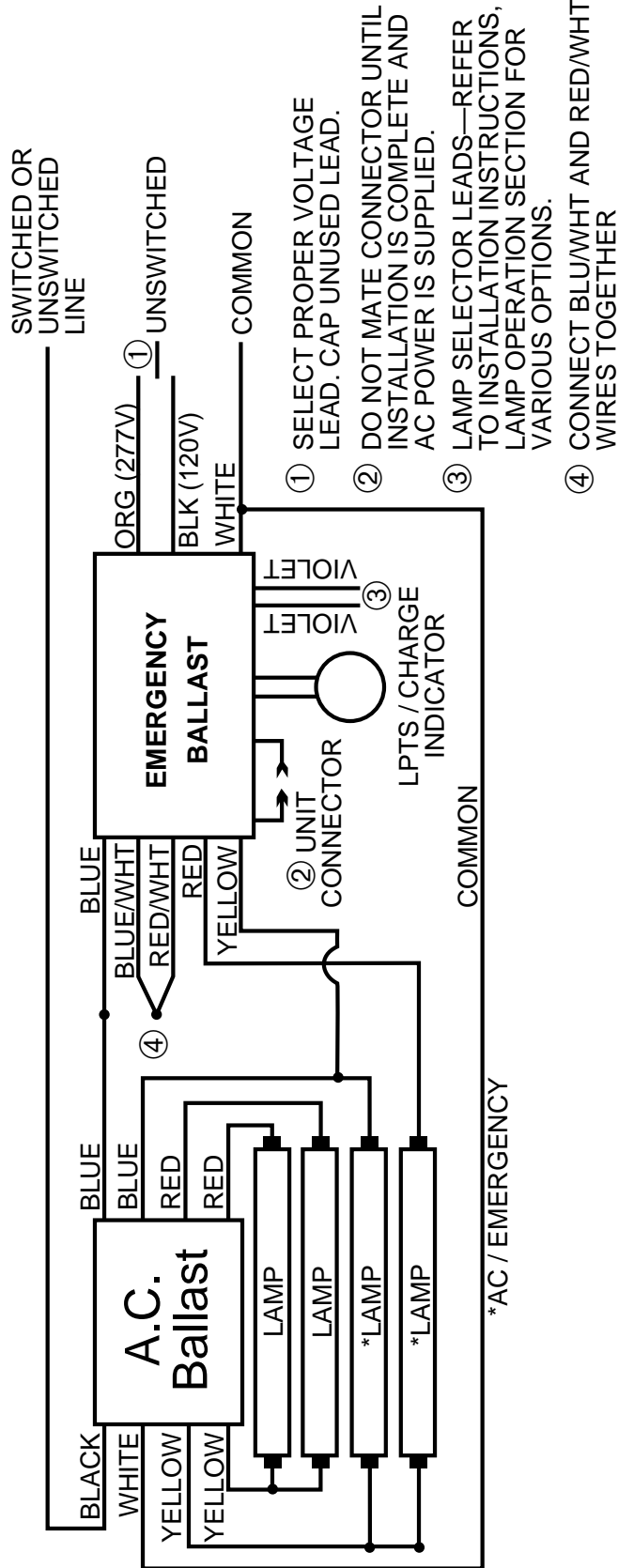


- ① SELECT PROPER VOLTAGE LEAD. CAP UNUSED LEAD.
- ② DO NOT MATE CONNECTOR UNTIL INSTALLATION IS COMPLETE AND AC POWER IS SUPPLIED.
- ③ LAMP SELECTOR LEADS - REFER TO INSTALLATION INSTRUCTIONS, LAMP OPERATION SECTION FOR VARIOUS OPTIONS
- ④ CONNECT BLU/WHT AND RED/WHT WIRES TOGETHER

EBT
SSB2-120/277-3/40 IS TT LH
MAGNETEK
C340I120/277RH
MOTOROLA
M3-IL-T8-GP-A-120/277
M3-IN-T8-A-120/277
M3-IN-T8-D-120/277
M3-IN-T8-GP-A-120/277

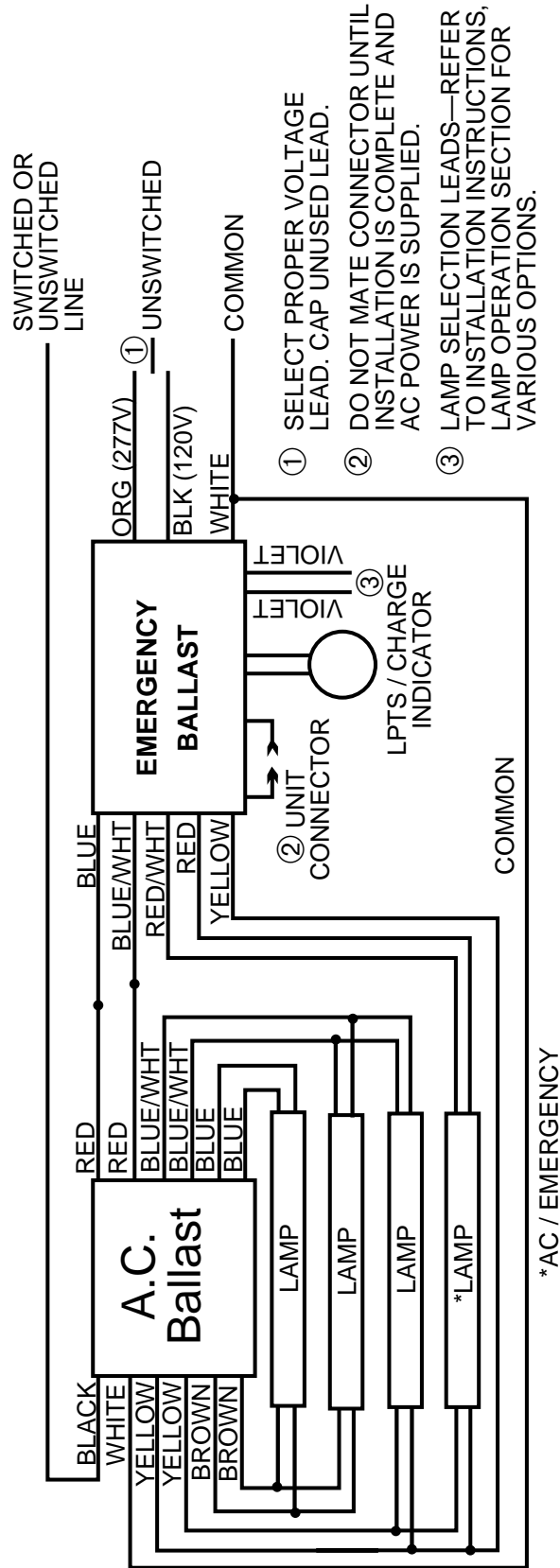
ALL COMPATIBLE BALLASTS MAY NOT BE LISTED.
 *DIMMING CONTROL WIRES ARE NOT AFFECTED BY EM PACK

FOUR LAMP INSTANT START BALLAST WITH TWO LAMP EMERGENCY OPERATION



ADVANCE
RCN/VCN-4P32 REL/VEL-4P32-RH-TP REL/VEL-4P32-LW-RH-TP
EBT
SSB2-120/277-4/32 IS LH /-(75%)
GE
G4-IN-T8-120/277
GOLDSTAR
GB 4x32/FL/I/120-277 GB 4x32/FL/I/120L-277L
HOWARD
E4/32IS-120/277 EC4/32IS-120/277
KINGTEC
432K120-IS/277-IS 432K120-75%
MAGNETEK
B4321120/277HP B4321120/277RH
MOTOROLA
M4-IL-T8-GP-A-120/277 M4-IN-T8-A-120/277 M4-IN-T8-D-120/277 M4-IN-T8-GP-A-120/277
ALL COMPATIBLE BALLASTS MAY NOT BE LISTED. *DIMMING CONTROL WIRES ARE NOT AFFECTED BY EM PACK

FOUR LAMP RAPID START BALLAST



ADVANCE

RC-4S60-TP
RC-4S85-TP
VCN-4S32-SC

GE

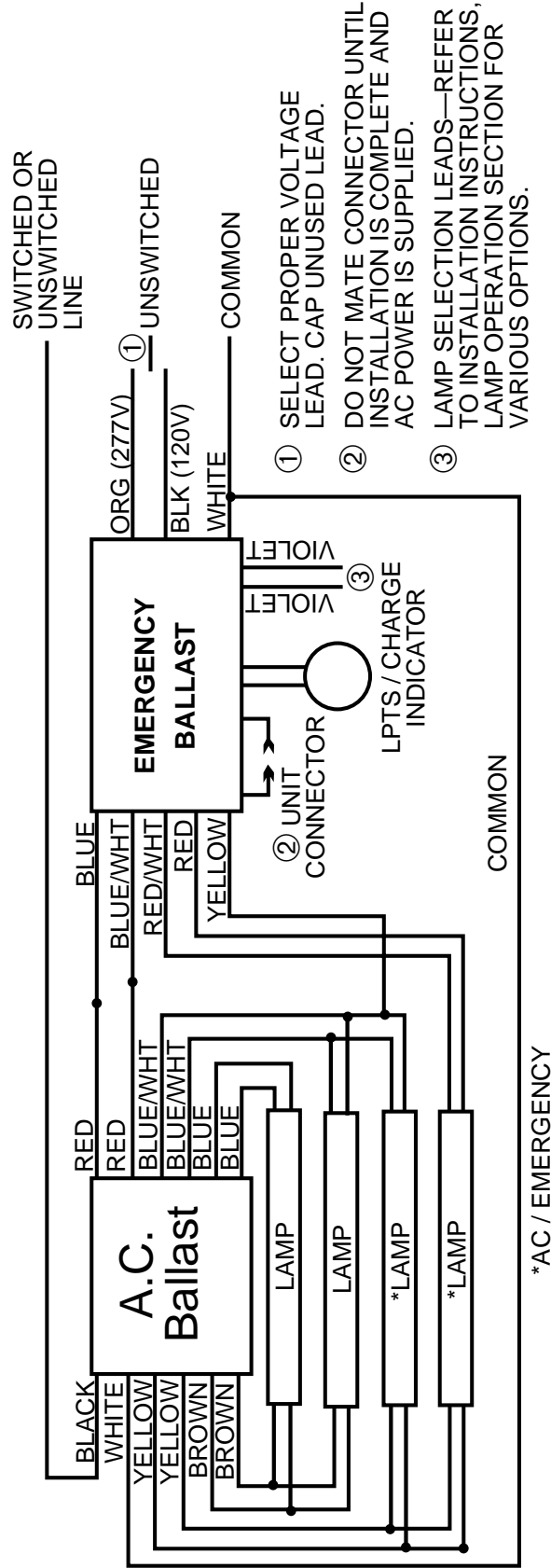
G4-RL-T8-1LL-120/277
G4-RN-T8-10C-120/277
G4-RN-T8-1LL-120/277

MOTOROLA

M4-RL-T8-1LL-A-120/277
M4-RL-T8-1LL-B-120/277
M4-RN-T8-1LL-A-120/277
M4-RN-T8-1LL-B-120/277

ALL COMPATIBLE BALLASTS MAY NOT BE LISTED.
*DIMMING CONTROL WIRES ARE NOT AFFECTED BY EM PACK

FOUR LAMP RAPID START BALLAST WITH TWO LAMP EMERGENCY OPERATION



ADVANCE

RC-4S60-TP
RC-4S85-TP
VCN-4S32-SC

GE

G4-RL-T8-1LL-120/277
G4-RN-T8-10C-120/277
G4-RN-T8-1LL-120/277

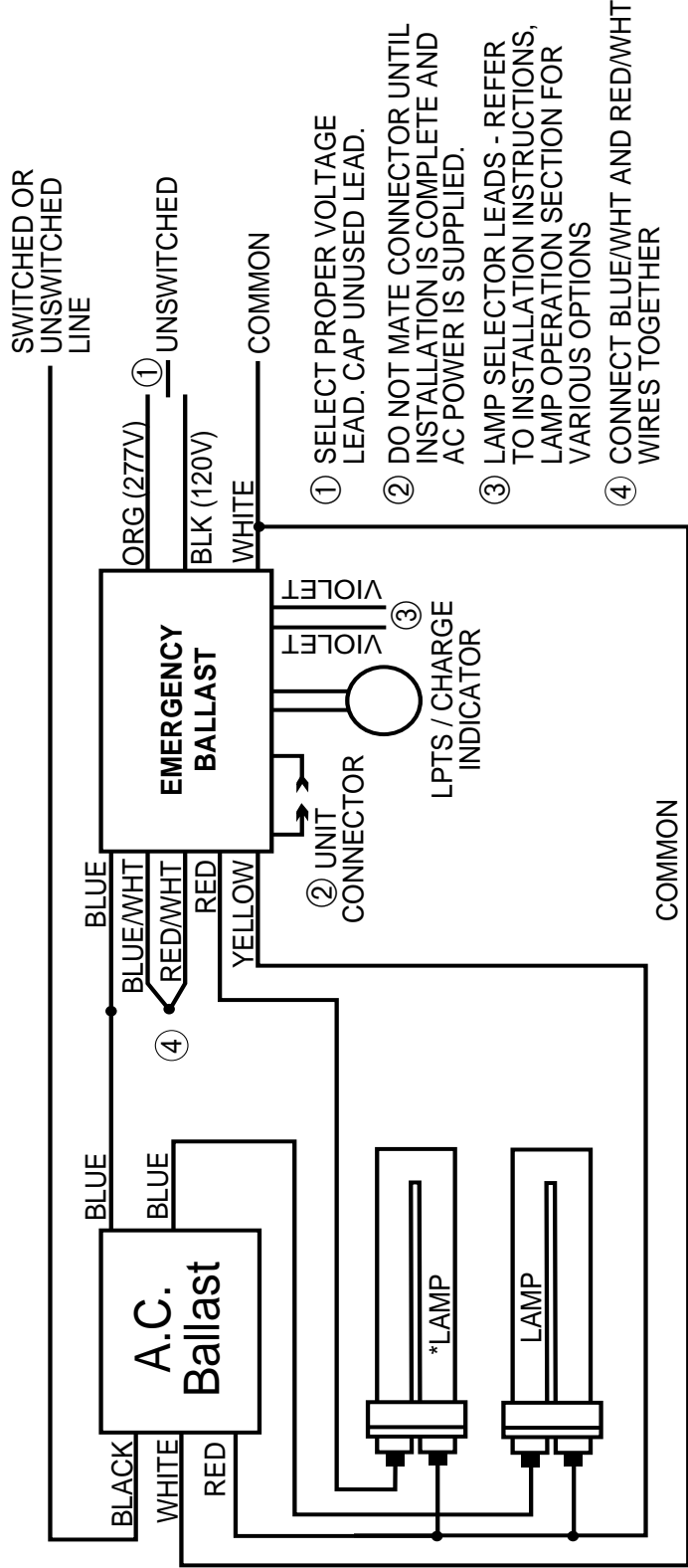
MOTOROLA

M4-RL-T8-1LL-A-120/277
M4-RL-T8-1LL-B-120/277
M4-RN-T8-1LL-A-120/277
M4-RN-T8-1LL-B-120/277

ALL COMPATIBLE BALLASTS MAY NOT BE LISTED.
*DIMMING CONTROL WIRES ARE NOT AFFECTED BY EM PACK

2LISBX_80

TWO BIAX LAMP INSTANT START BALLAST



- ① SELECT PROPER VOLTAGE LEAD. CAP UNUSED LEAD.
- ② DO NOT MATE CONNECTOR UNTIL INSTALLATION IS COMPLETE AND AC POWER IS SUPPLIED.
- ③ LAMP SELECTOR LEADS - REFER TO INSTALLATION INSTRUCTIONS, LAMP OPERATION SECTION FOR VARIOUS OPTIONS
- ④ CONNECT BLUE/WHT AND RED/WHT WIRES TOGETHER

MAGNETEK

B232I120/277HP
B232I120/277RH

MOTOROLA

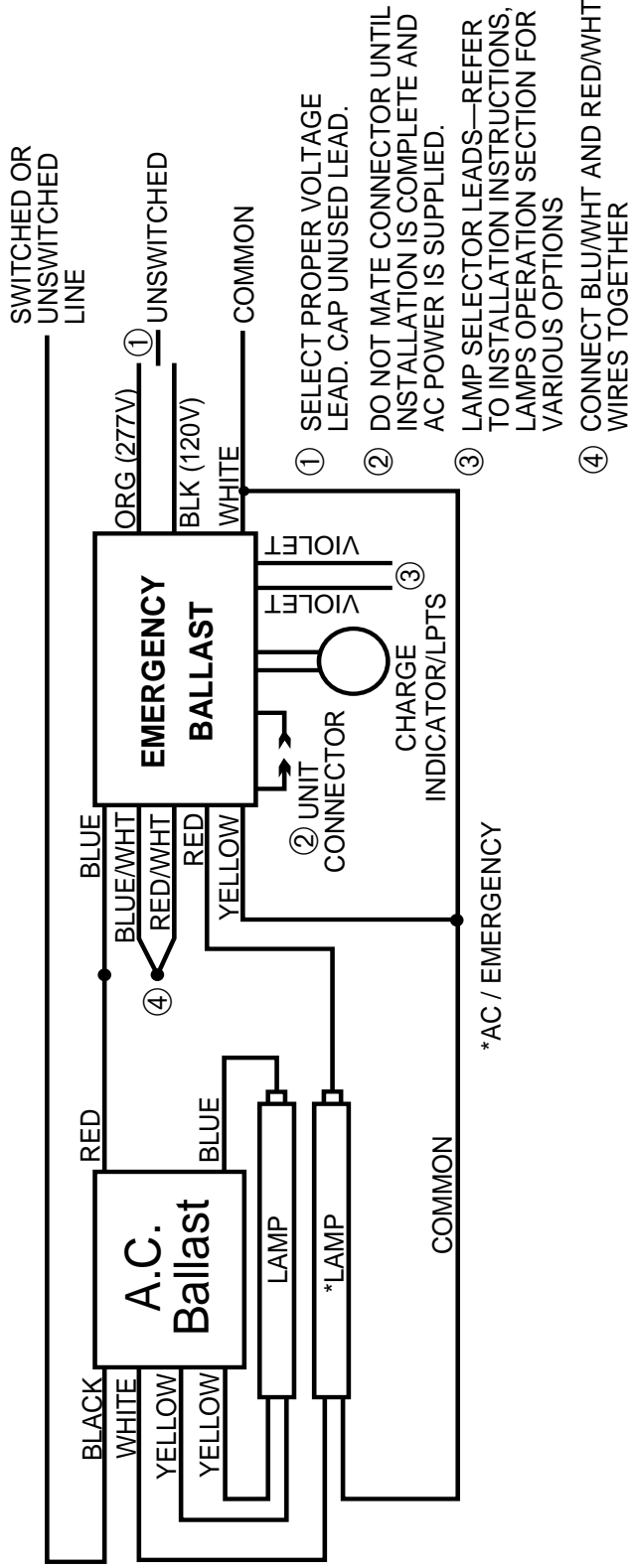
M2-IL-T8-GP-D-120/277
M2-IN-T8-D-120/277
M2-IN-T8-1LL-D-120/277
M2-IN-T8-8FT-A-120/277
M2-IN-T8-8GP-A-120/277
M2-IN-T8-GP-D-120/277

SYLVANIA

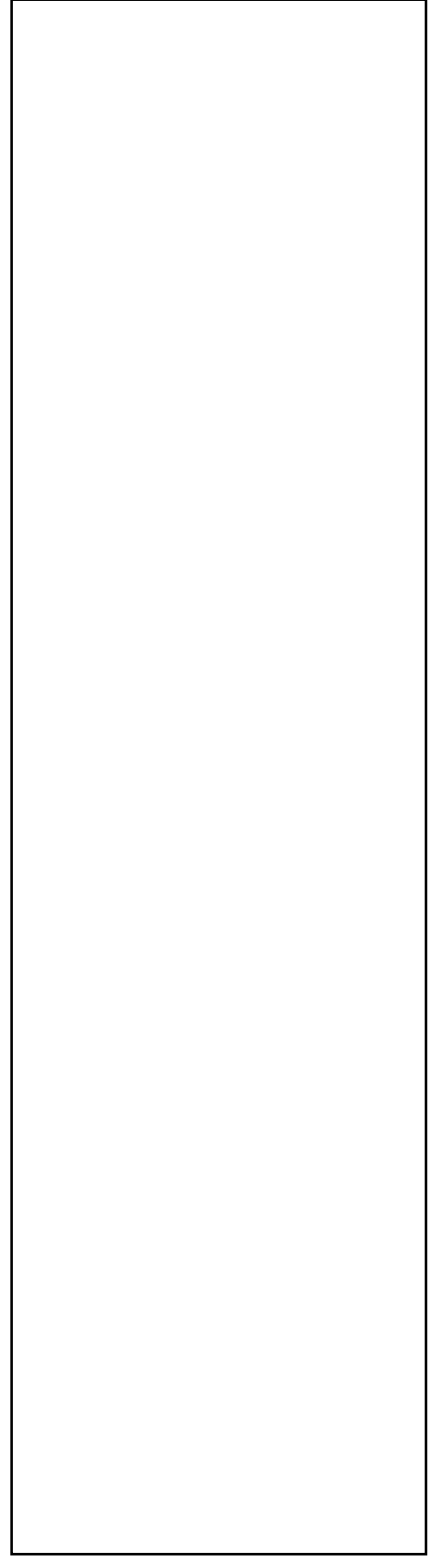
QT2X40/120DL

ALL COMPATIBLE BALLASTS MAY NOT BE LISTED.
*DIMMING CONTROL WIRES ARE NOT AFFECTED BY EM PACK

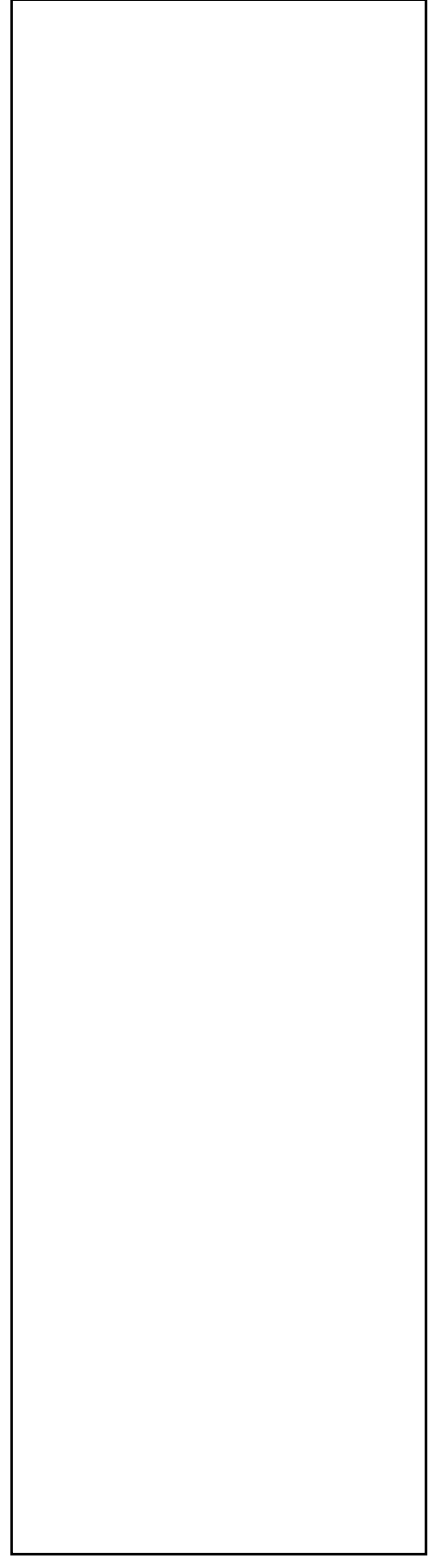
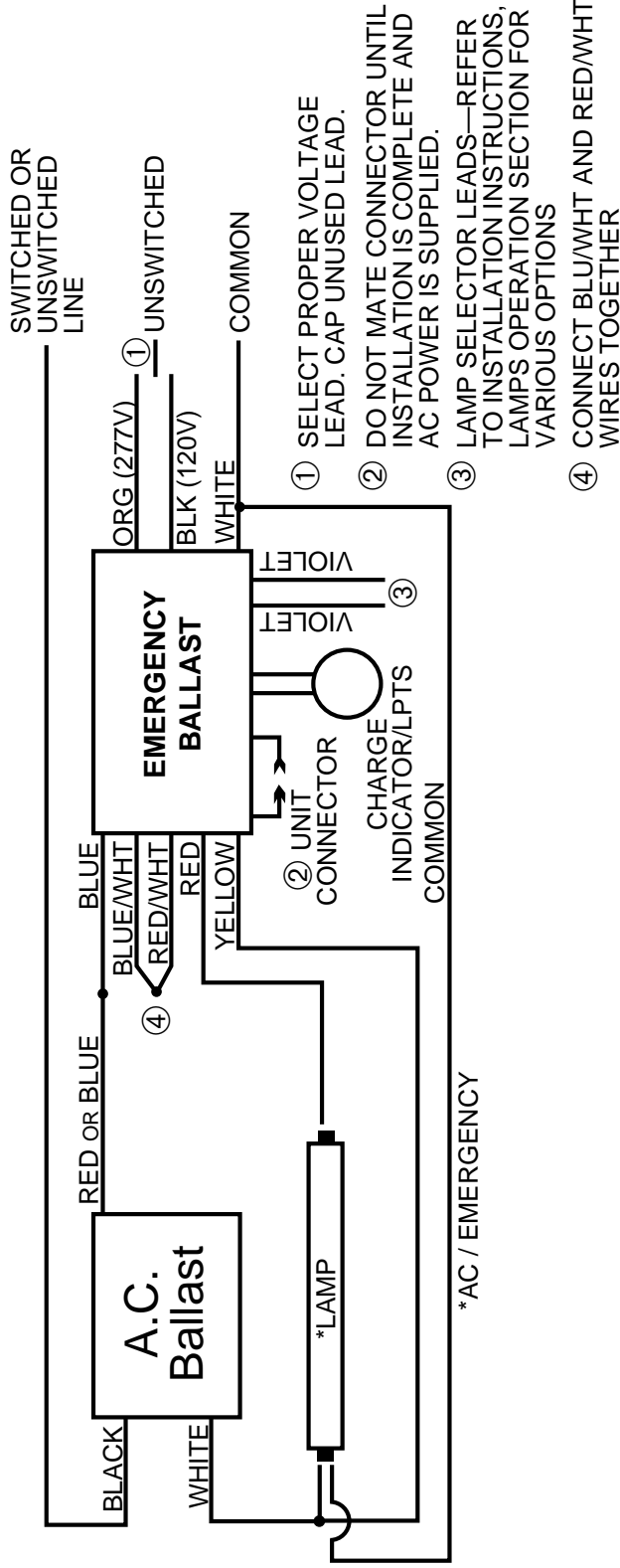
TWO LAMP BALLAST



- ① SELECT PROPER VOLTAGE LEAD. CAP UNUSED LEAD.
- ② DO NOT MATE CONNECTOR UNTIL INSTALLATION IS COMPLETE AND AC POWER IS SUPPLIED.
- ③ LAMP SELECTOR LEADS—REFER TO INSTALLATION INSTRUCTIONS, LAMPS OPERATION SECTION FOR VARIOUS OPTIONS
- ④ CONNECT BLU/WHT AND RED/WHT WIRES TOGETHER

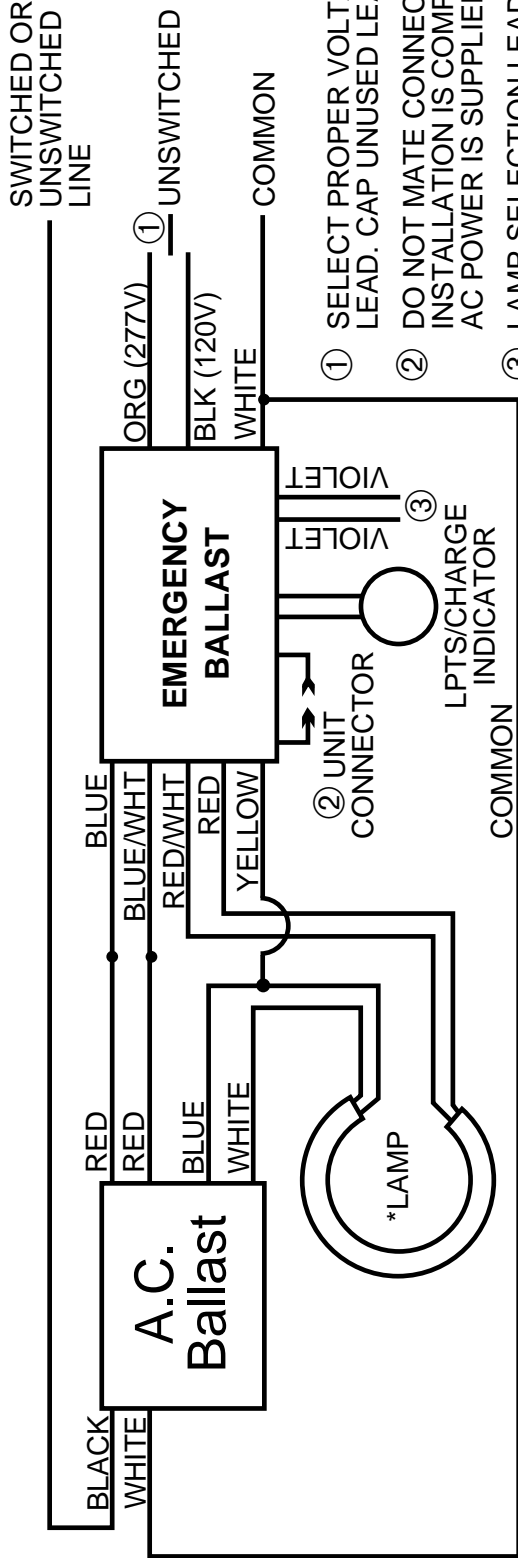


ONE LAMP MAGNETIC BALLAST



1LCRSB_80

ONE LAMP CIRCLINE RAPID START BALLAST



- ① SELECT PROPER VOLTAGE LEAD. CAP UNUSED LEAD.
- ② DO NOT MATE CONNECTOR UNTIL INSTALLATION IS COMPLETE AND AC POWER IS SUPPLIED.
- ③ LAMP SELECTION LEADS—REFER TO INSTALLATION INSTRUCTIONS, LAMP OPERATION SECTION FOR VARIOUS OPTIONS.

*AC / EMERGENCY

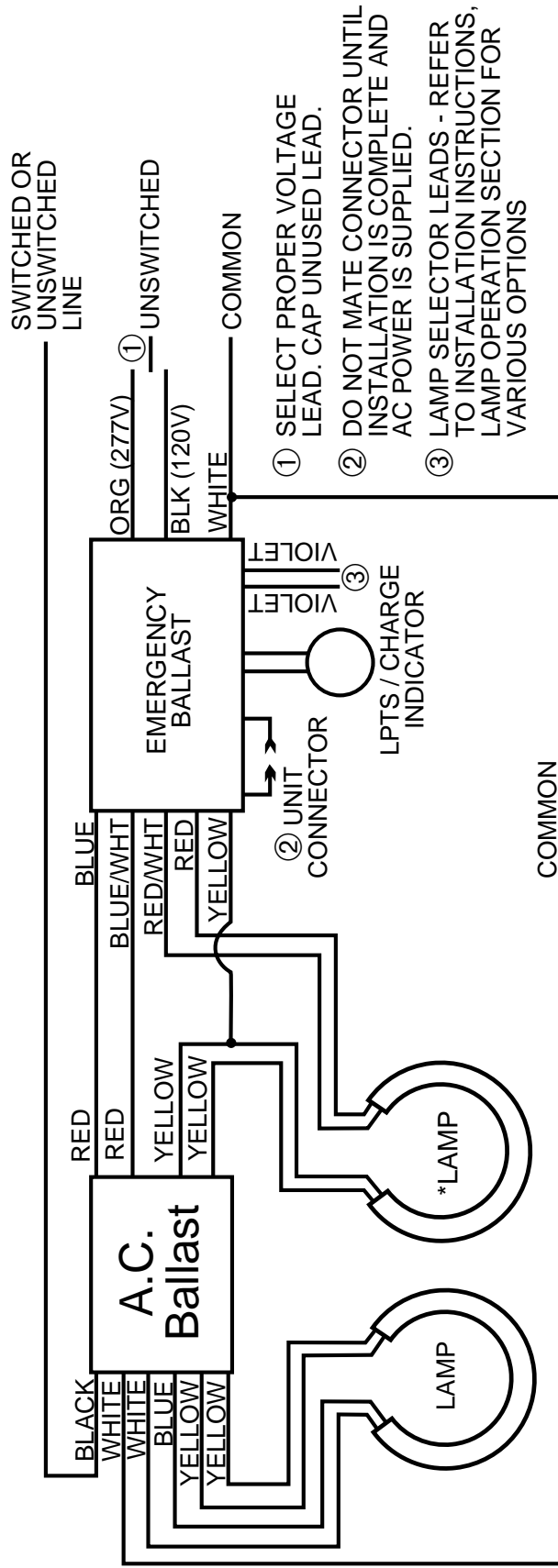
ADVANCE

RLCS-140-TP
 RLQS-122-TP

ALL COMPATIBLE BALLASTS MAY NOT BE LISTED.
 *DIMMING CONTROL WIRES ARE NOT AFFECTED BY EM PACK

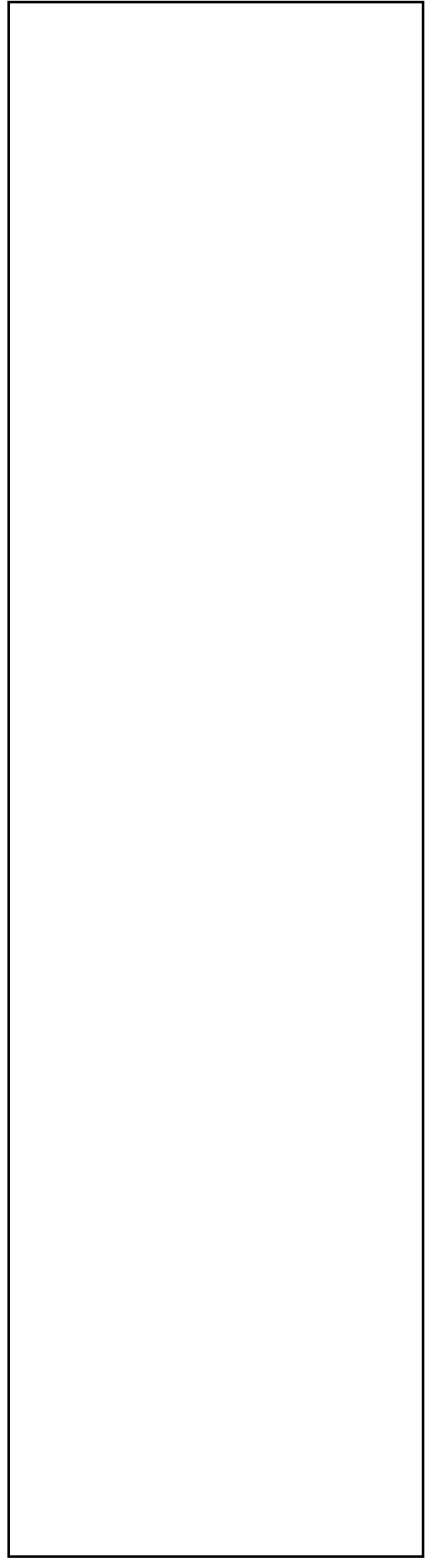
3LR5B_80

TWO LAMP CIRCLINE RAPID START BALLAST



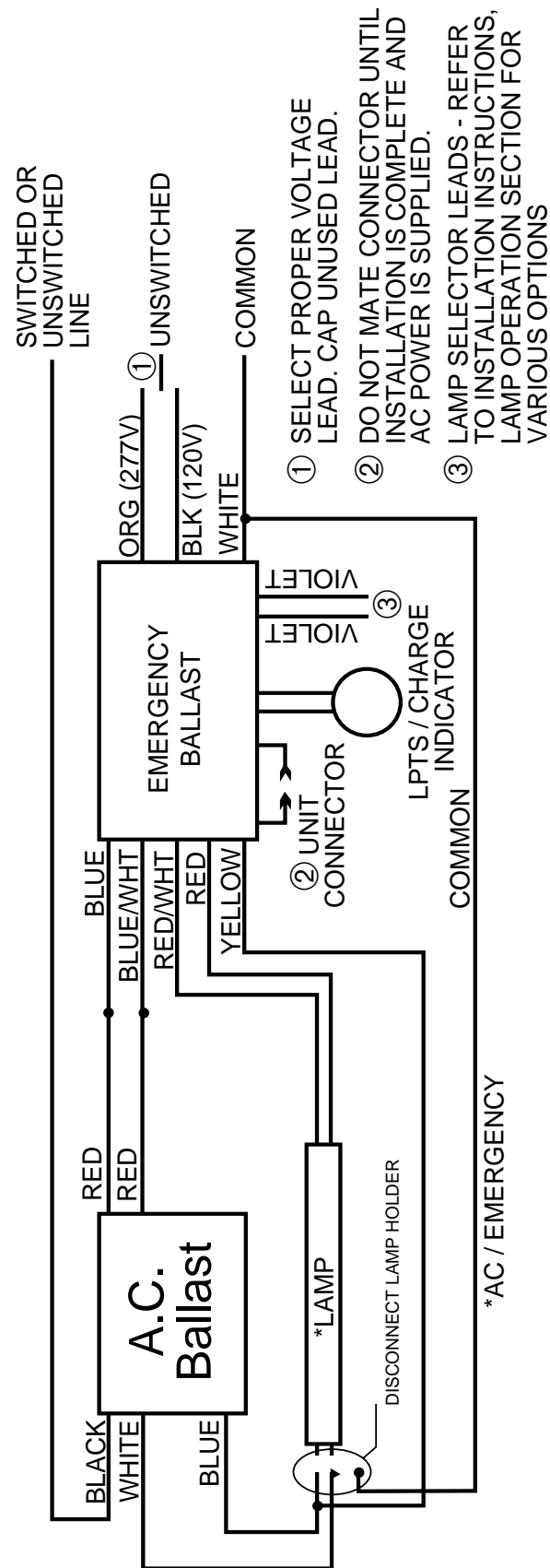
- ① SELECT PROPER VOLTAGE LEAD. CAP UNUSED LEAD.
- ② DO NOT MATE CONNECTOR UNTIL INSTALLATION IS COMPLETE AND AC POWER IS SUPPLIED.
- ③ LAMP SELECTOR LEADS - REFER TO INSTALLATION INSTRUCTIONS, LAMP OPERATION SECTION FOR VARIOUS OPTIONS

*AC / EMERGENCY



1LLAG_80

ONE LAMP LAG BALLAST

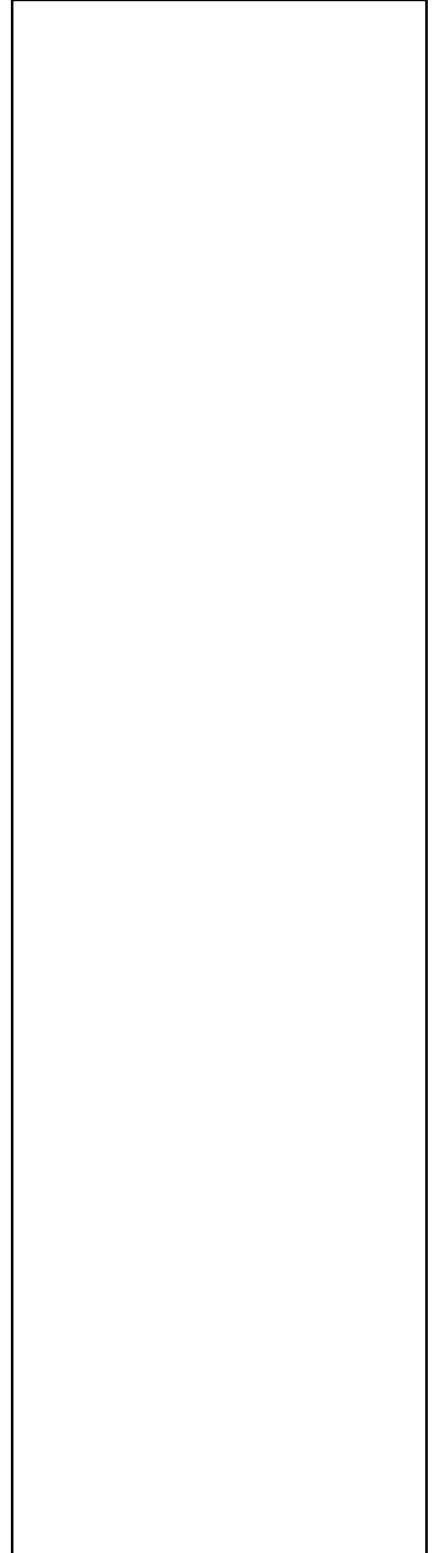
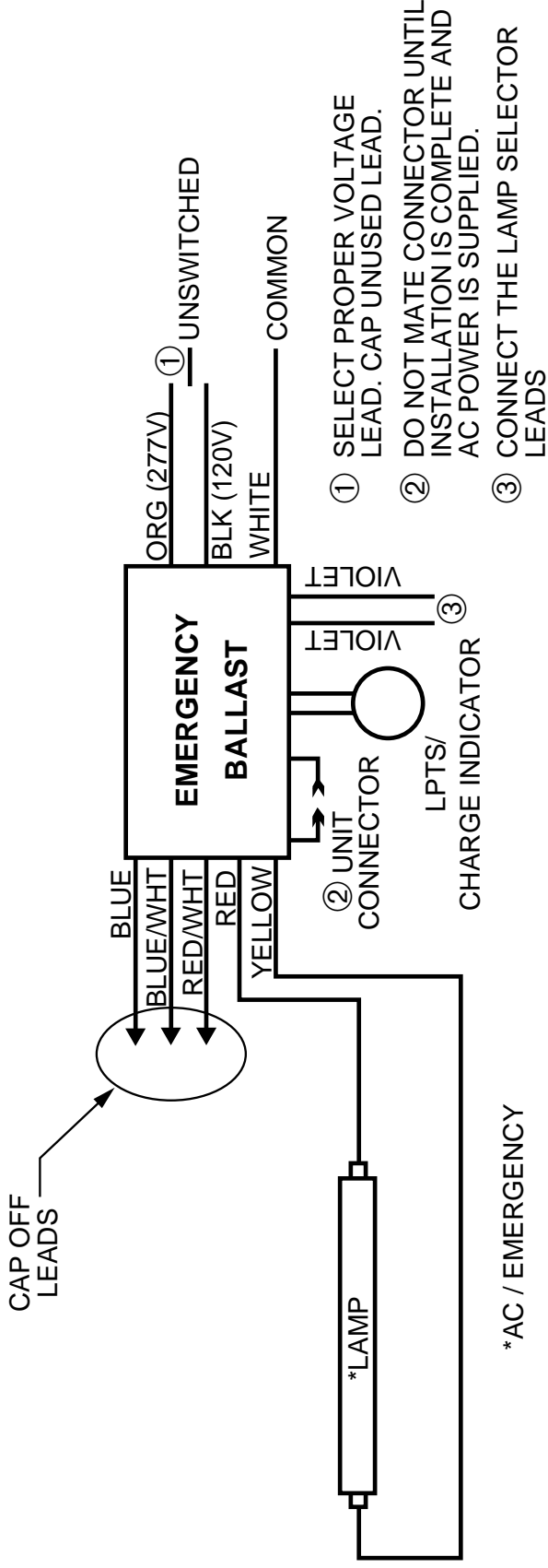


ADVANCE
RL-140-TP
MAGNETEK
543-B

ALL COMPATIBLE BALLASTS MAY NOT BE LISTED.
 *DIMMING CONTROL WIRES ARE NOT AFFECTED BY EM PACK

1LEO_80

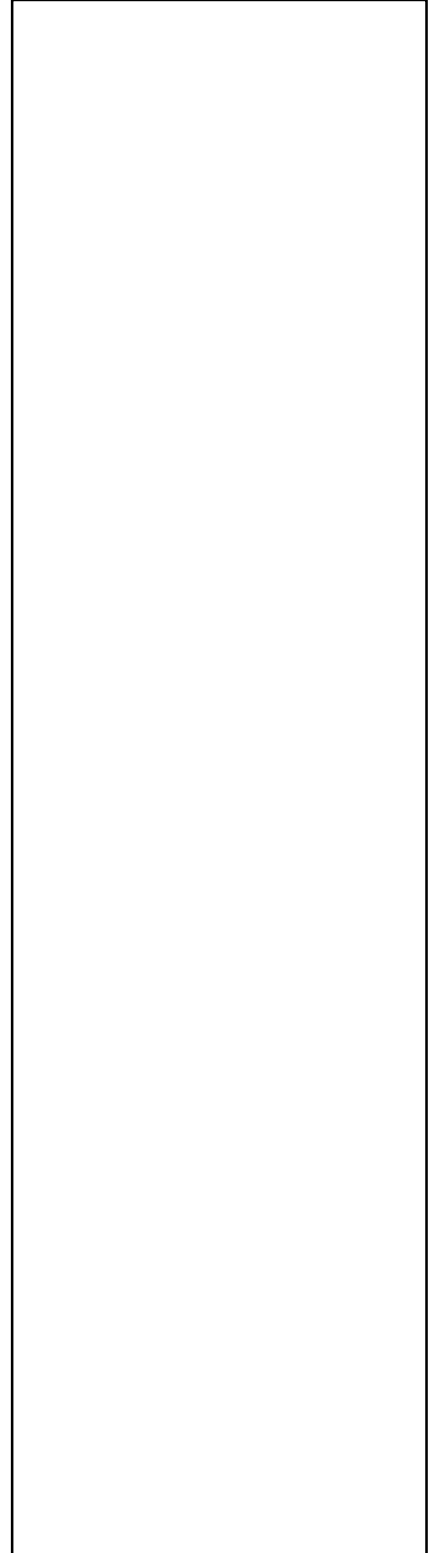
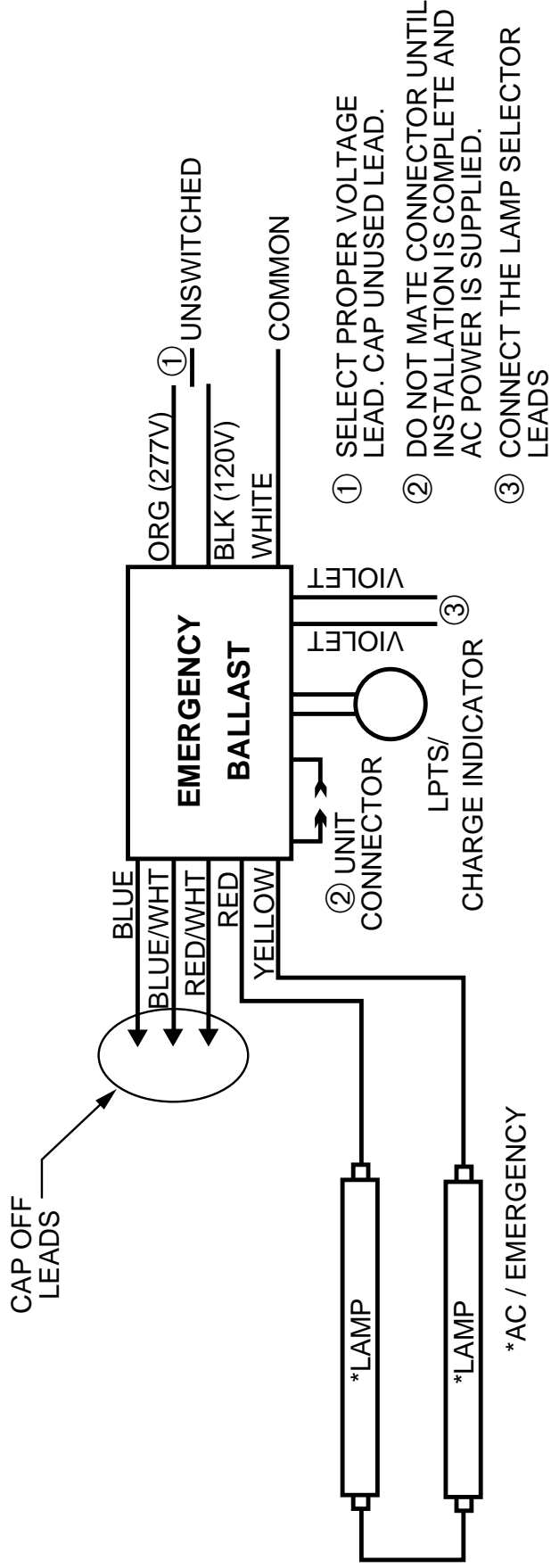
ONE LAMP EMERGENCY ONLY



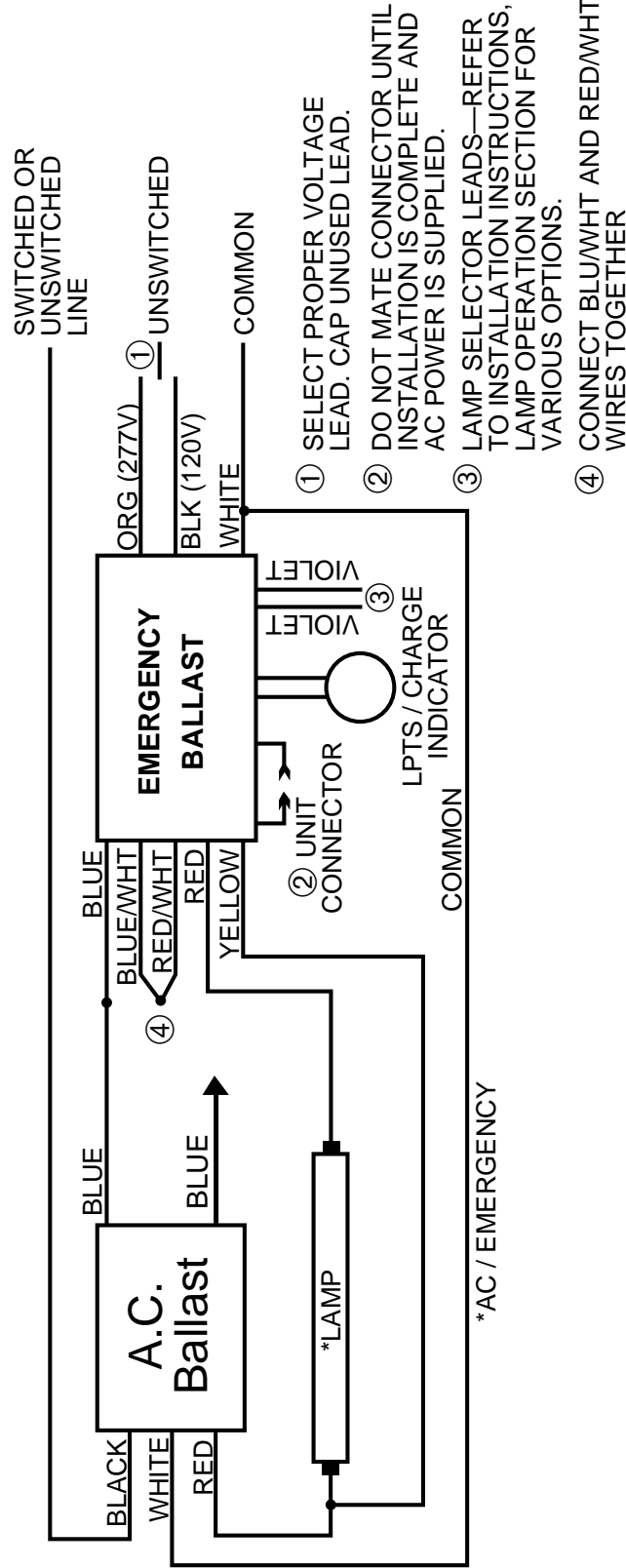
*AC / EMERGENCY

2LEO_80

TWO LAMP EMERGENCY ONLY



ONE LAMP TRIAD BALLAST



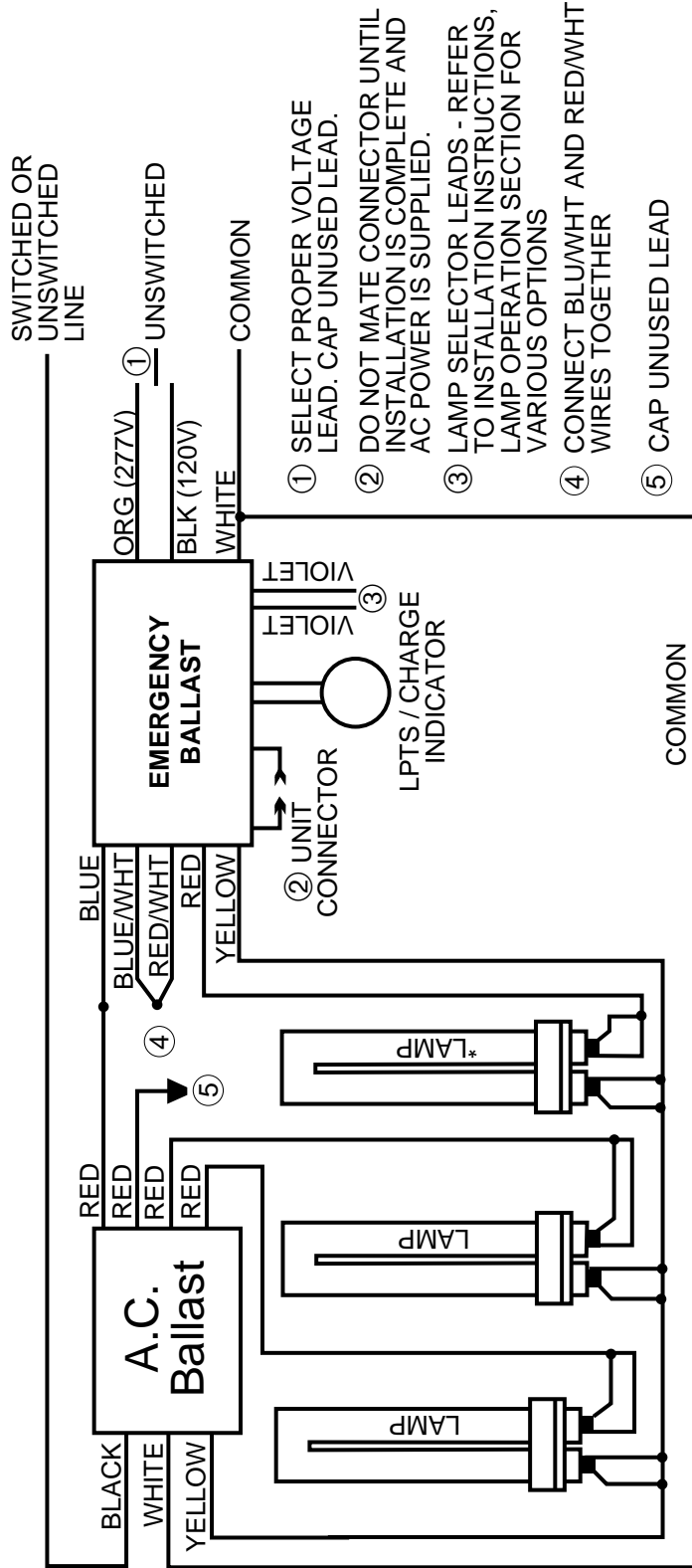
TRIAD

B240I 120/277

ALL COMPATIBLE BALLASTS MAY NOT BE LISTED.
*DIMMING CONTROL WIRES ARE NOT AFFECTED BY EM PACK

FWB_80

FULHAM WORKHORSE BALLAST



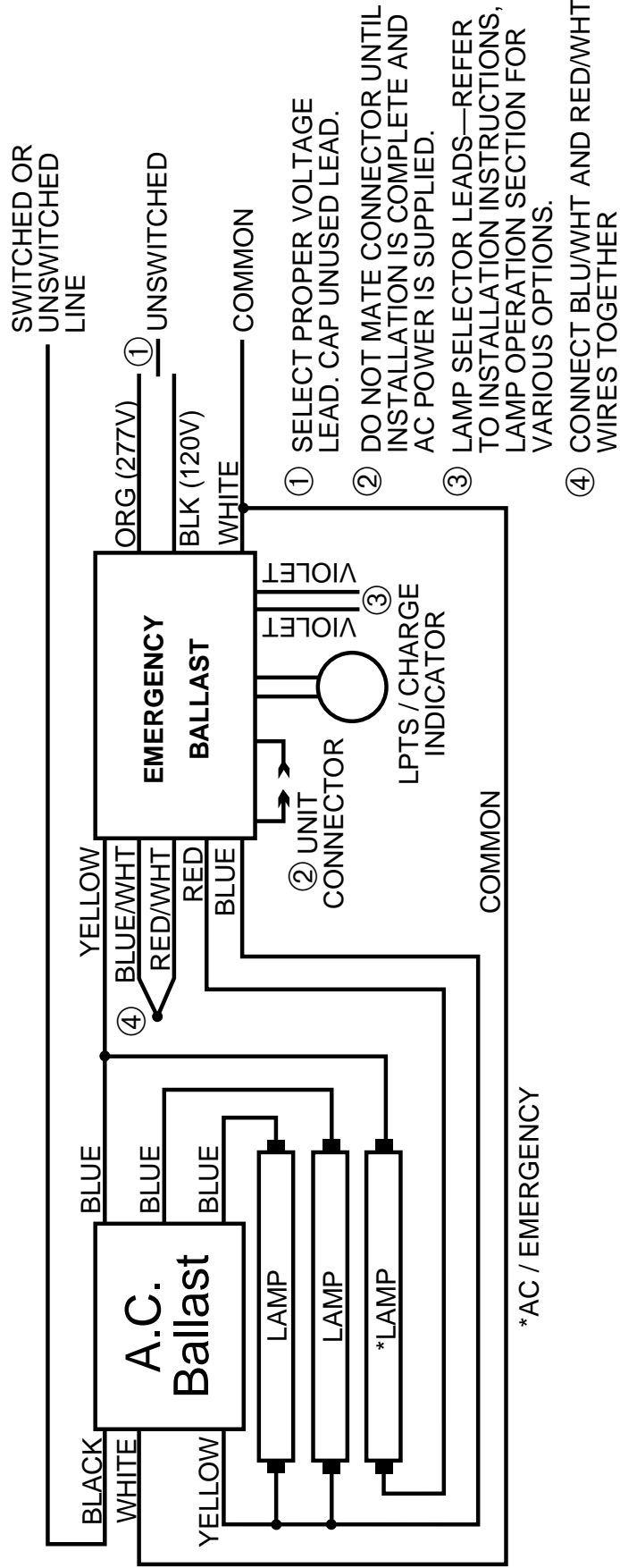
- ① SELECT PROPER VOLTAGE LEAD. CAP UNUSED LEAD.
- ② DO NOT MATE CONNECTOR UNTIL INSTALLATION IS COMPLETE AND AC POWER IS SUPPLIED.
- ③ LAMP SELECTOR LEADS - REFER TO INSTALLATION INSTRUCTIONS, LAMP OPERATION SECTION FOR VARIOUS OPTIONS
- ④ CONNECT BLU/WHT AND RED/WHT WIRES TOGETHER
- ⑤ CAP UNUSED LEAD

*AC / EMERGENCY

FULLHAM	
WH4-120-L	
WH4-277-L	
WH5-120-L	
WH5-277-L	
WH6-120-L	
WH6-277-L	

ALL COMPATIBLE BALLASTS MAY NOT BE LISTED.
 *DIMMING CONTROL WIRES ARE NOT AFFECTED BY EM PACK

THREE LAMP INSTANT START BALLAST

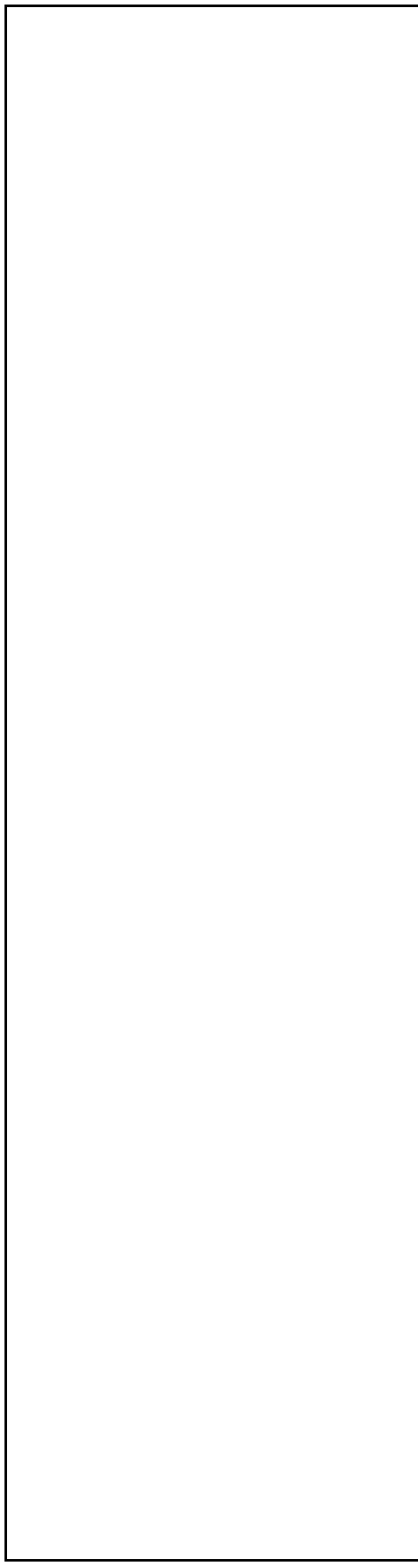
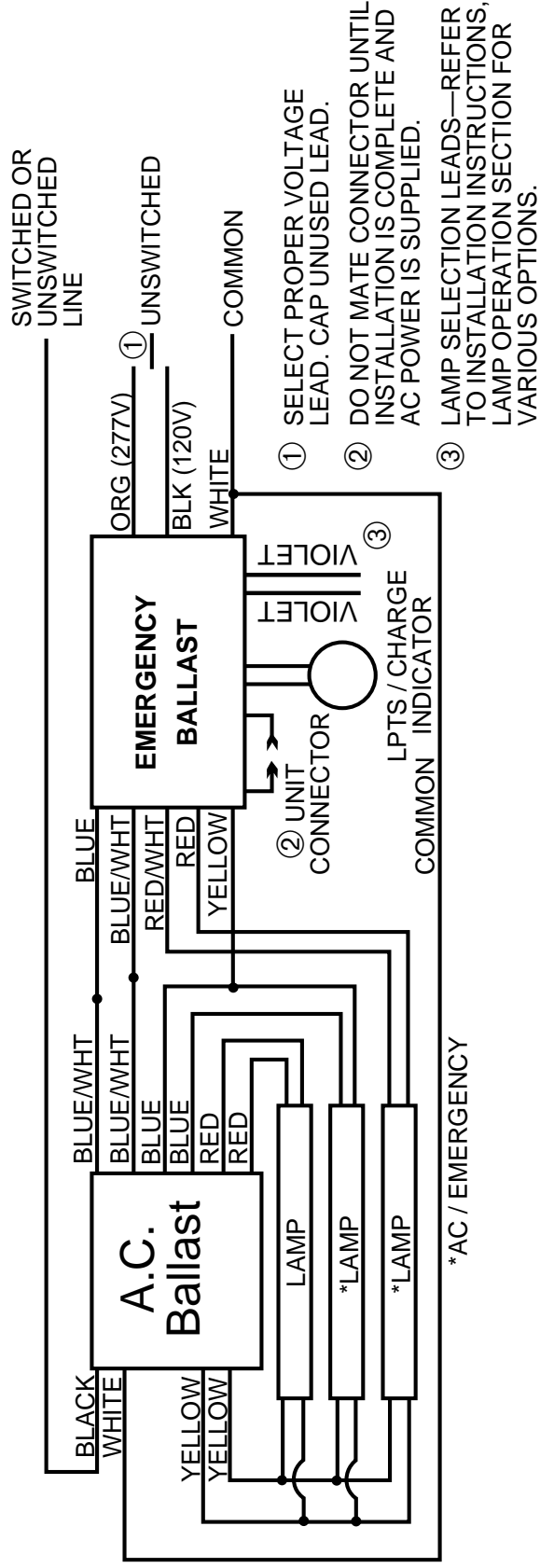


ADVANCE

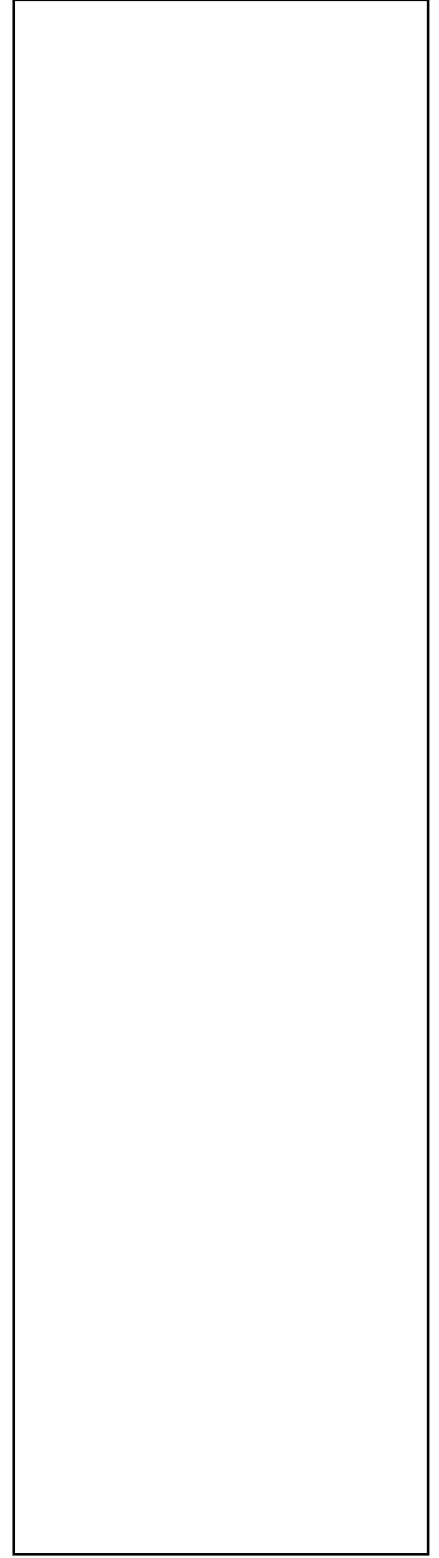
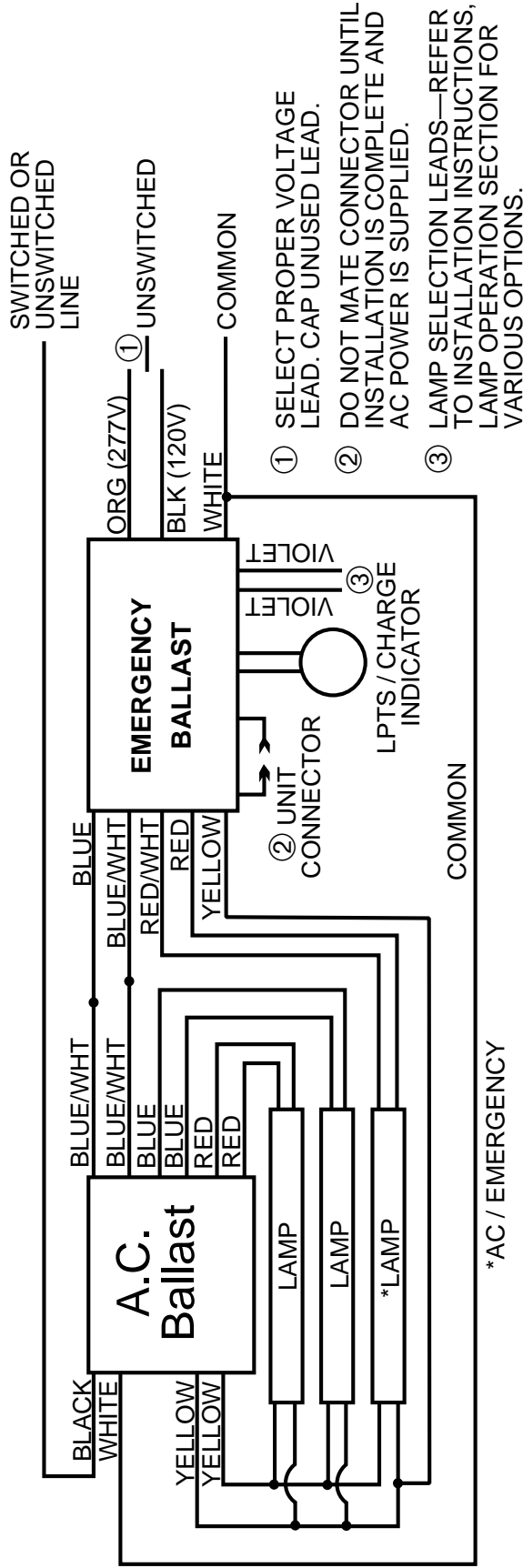
VCN 3P32

ALL COMPATIBLE BALLASTS MAY NOT BE LISTED.
 *DIMMING CONTROL WIRES ARE NOT AFFECTED BY EM PACK

THREE LAMP RAPID START BALLAST WITH TWO LAMP EMERGENCY OPERATION

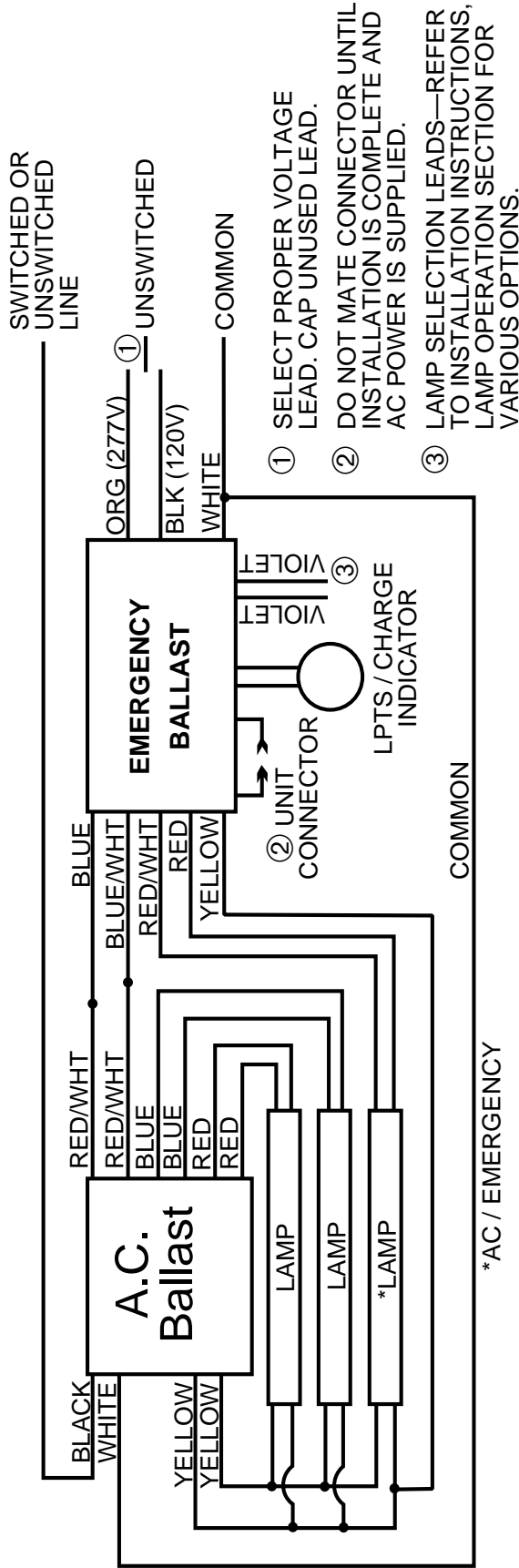


THREE LAMP RAPID START BALLAST



3LRSB3_80

THREE LAMP RAPID START BALLAST

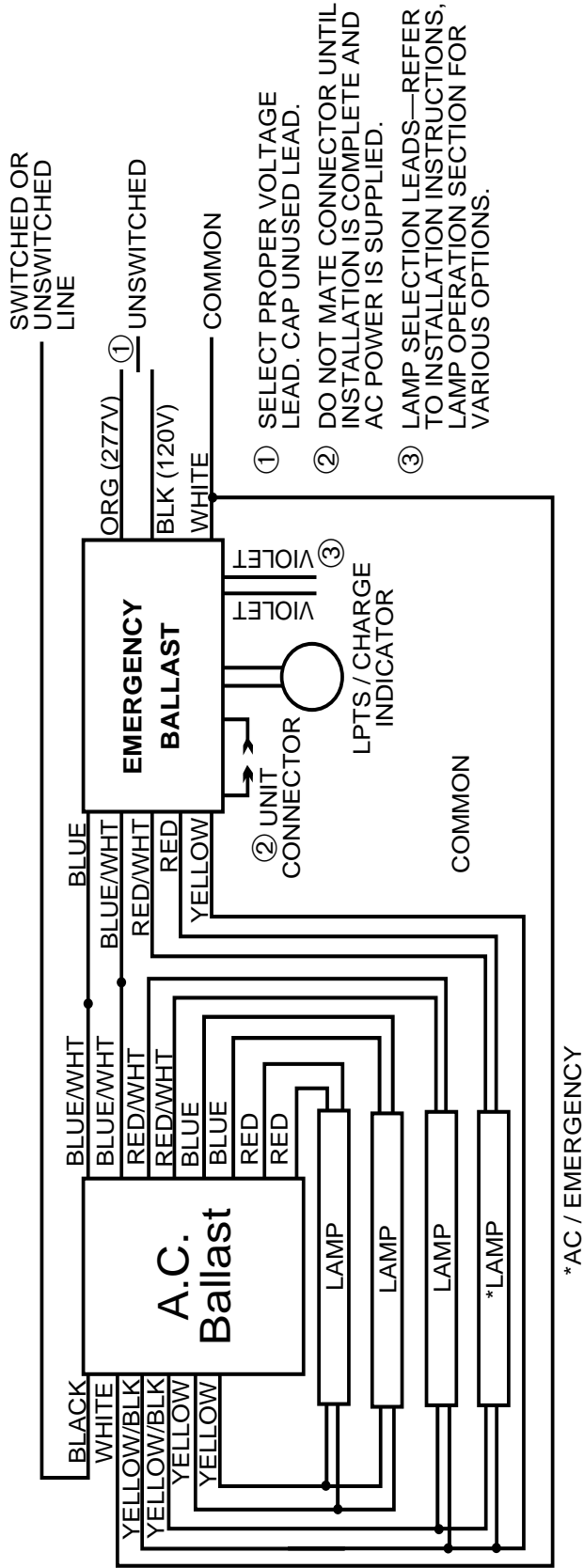


MAGNETEK

B332-R277HP
B332-R120HP

ALL COMPATIBLE BALLASTS MAY NOT BE LISTED.
*DIMMING CONTROL WIRES ARE NOT AFFECTED BY EM PACK

FOUR LAMP RAPID START BALLAST

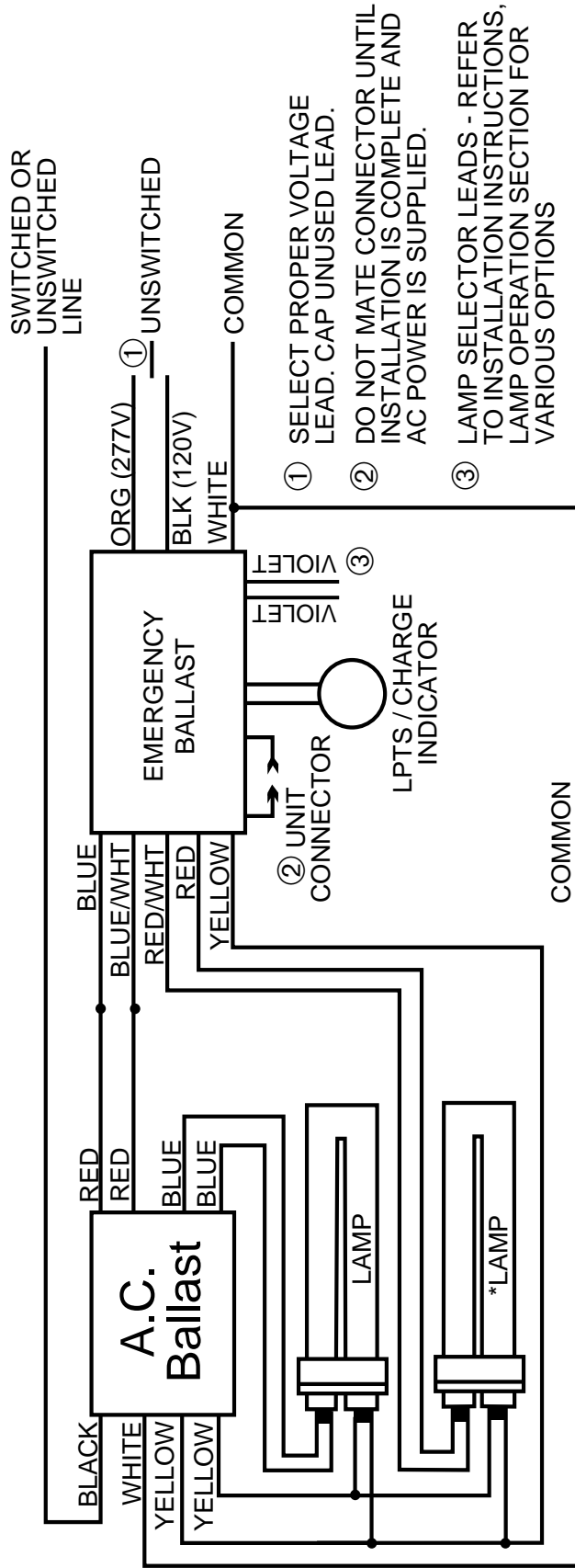


MAGNETEK
B432 R277 HP

ALL COMPATIBLE BALLASTS MAY NOT BE LISTED.
*DIMMING CONTROL WIRES ARE NOT AFFECTED BY EM PACK

2BXLRSB2_80

TWO BIAX RAPID START



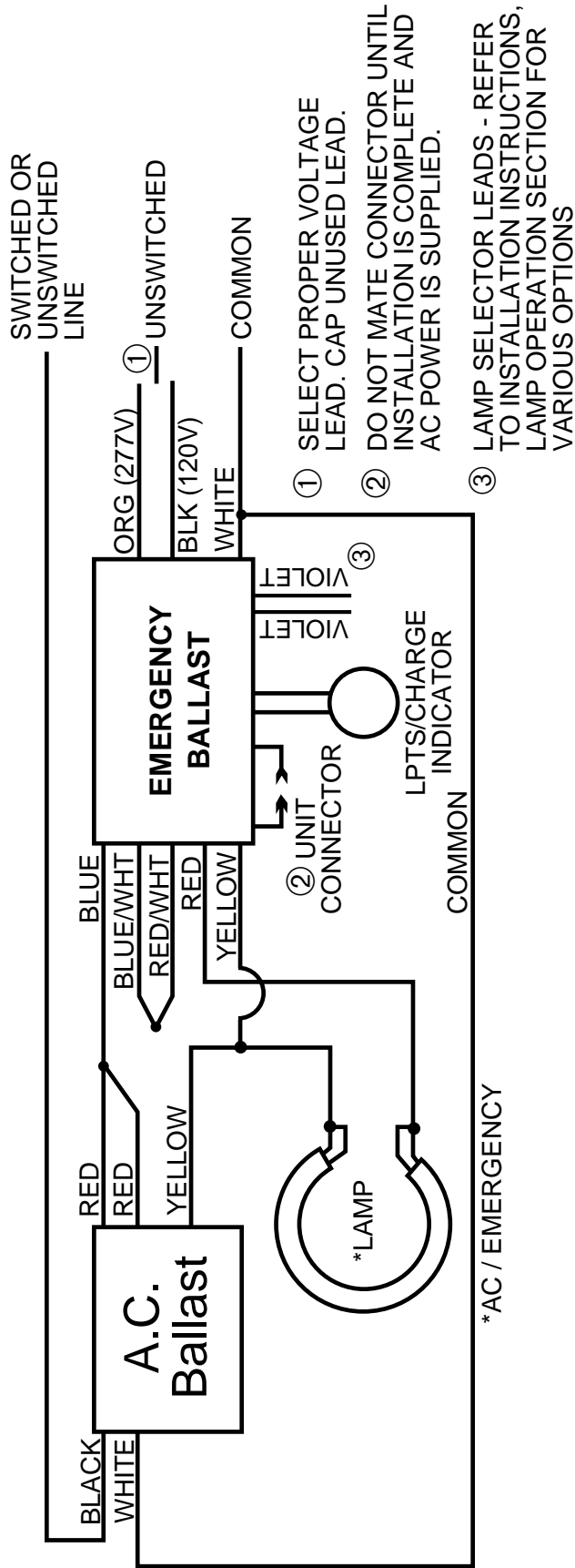
ENERGY SAVINGS

ES-2/1-CFQ-26-UNV-C or D

ALL COMPATIBLE BALLASTS MAY NOT BE LISTED.
 *DIMMING CONTROL WIRES ARE NOT AFFECTED BY EM PACK

1LCISB_80F

ONE LAMP CIRCLINE INSTANT START FULLHAM BALLAST

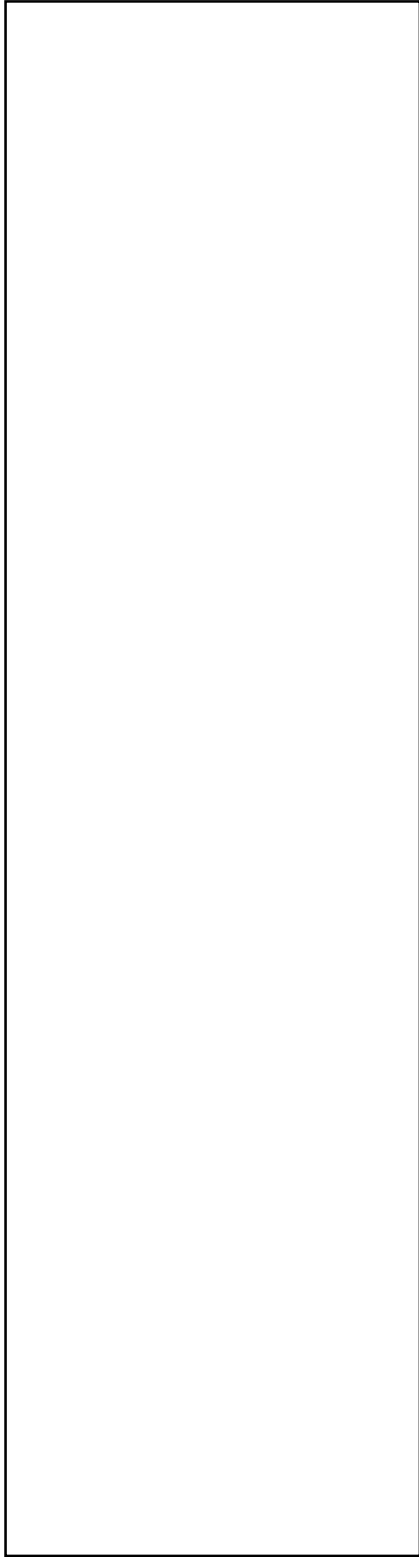
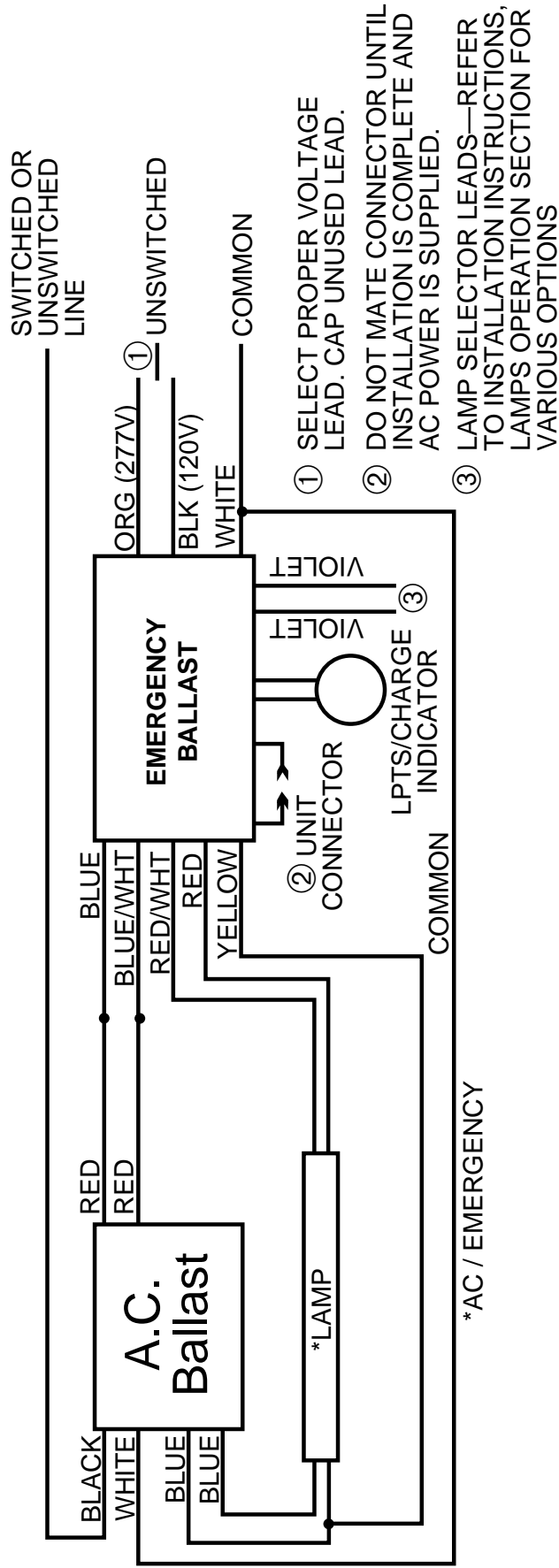


FULLHAM

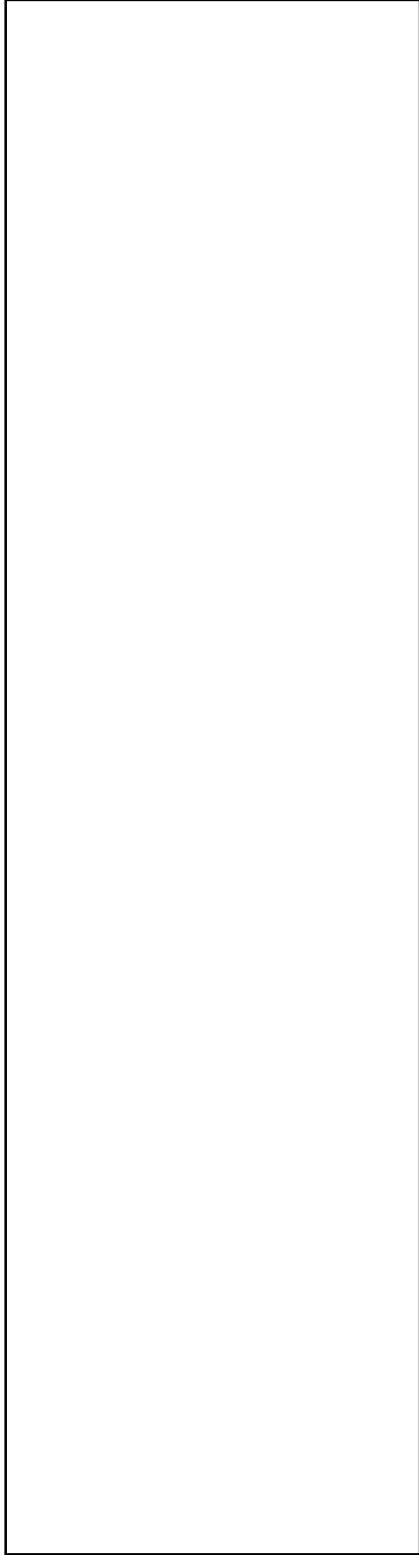
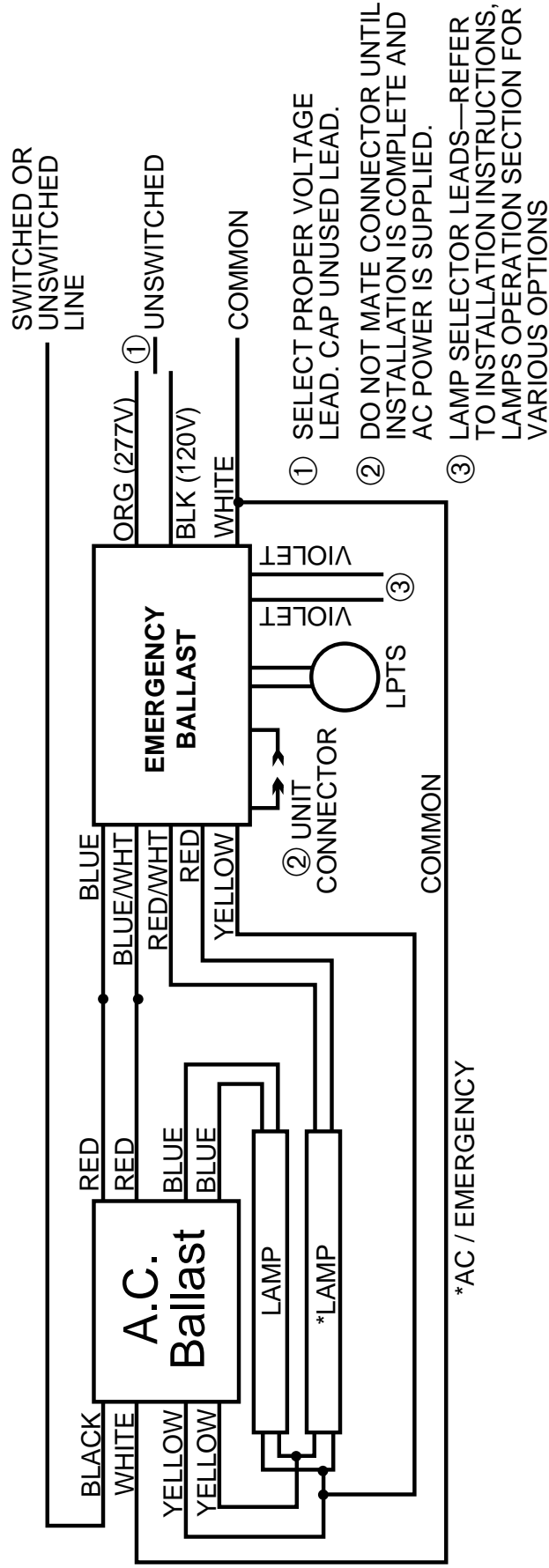
WH3

ALL COMPATIBLE BALLASTS MAY NOT BE LISTED.
 *DIMMING CONTROL WIRES ARE NOT AFFECTED BY EM PACK

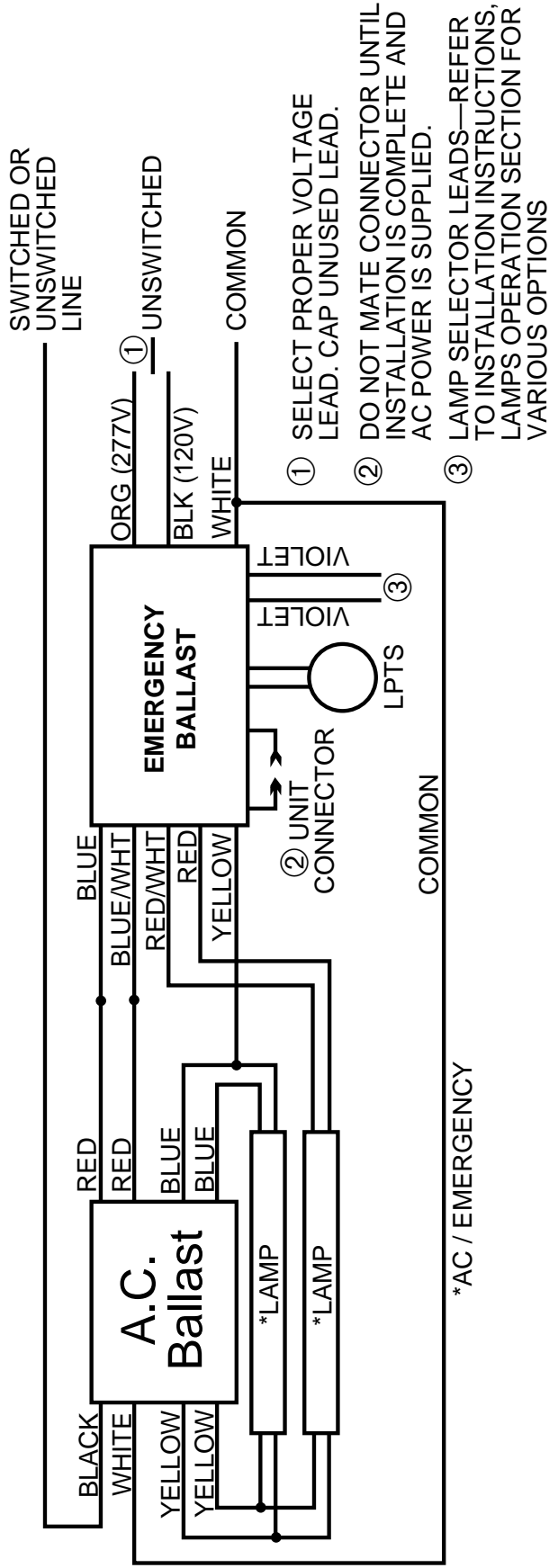
ONE LAMP RAPID START BALLAST



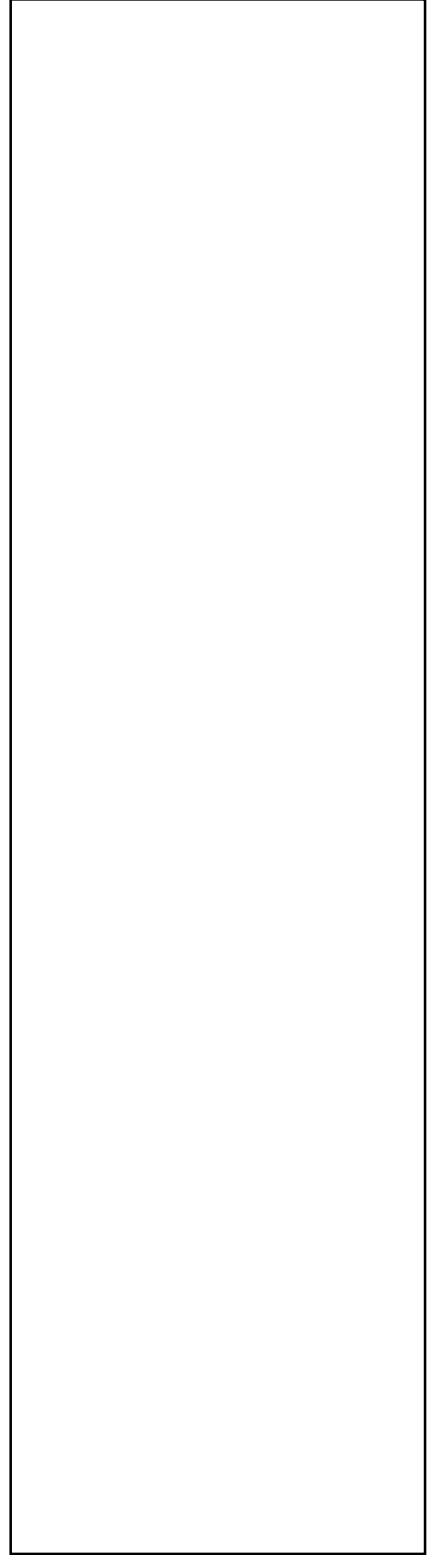
TWO LAMP RAPID START BALLAST



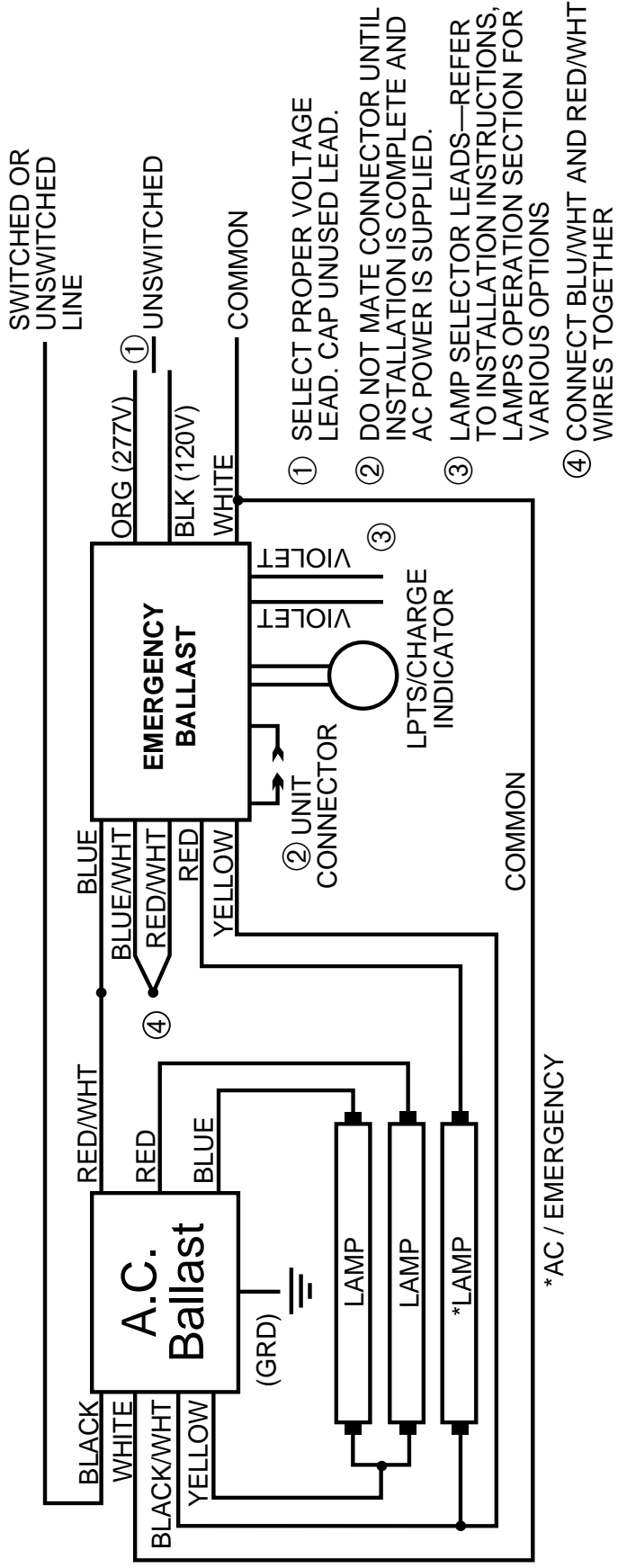
TWO LAMP RAPID START BALLAST WITH TWO LAMP EMERGENCY OPERATION



*AC / EMERGENCY



THREE LAMP INSTANT START BALLAST



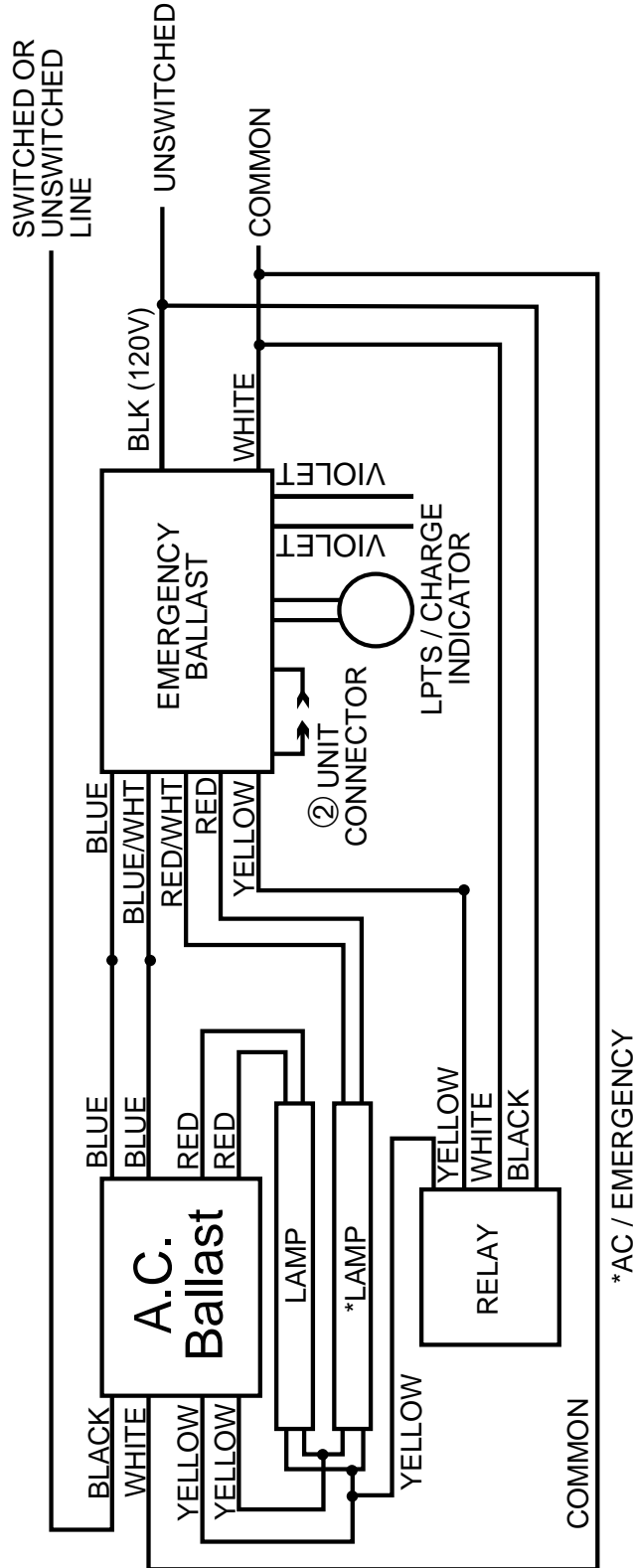
ENERGY SAVINGS

ES-4/3-T8-32/25/17-UNV-B-IS

ALL COMPATIBLE BALLASTS MAY NOT BE LISTED.
*DIMMING CONTROL WIRES ARE NOT AFFECTED BY EM PACK

2LR5BWR_80

TWO LAMP RAPID START BALLAST WITH RELAY



ADVANCE

RIC/MIC-2S32
 REZ/VEZ-2S32
 RZT/VZT-2S32*

LUTRON

ECO-T832-120/277-2*
 FDB-4827-120/277-2*

MAGNETEK

B232 R277 HP

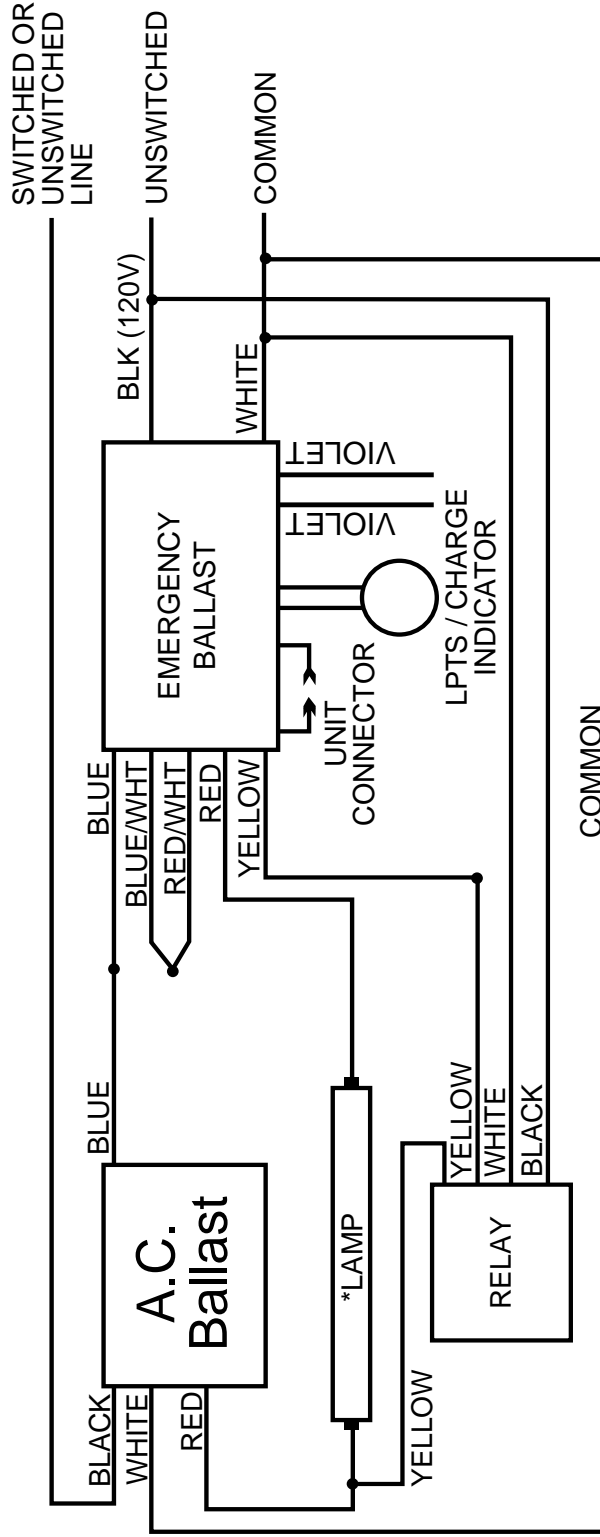
MOTOROLA

M2-RH-T8-1LL-B-120/277
 M2-RL-T8-1LL-A-120/277
 M2-RN-T12-1LL-B-120/277
 M2-RN-T8-10C-B-120/277
 M2-RN-T8-1LL-D-120/277

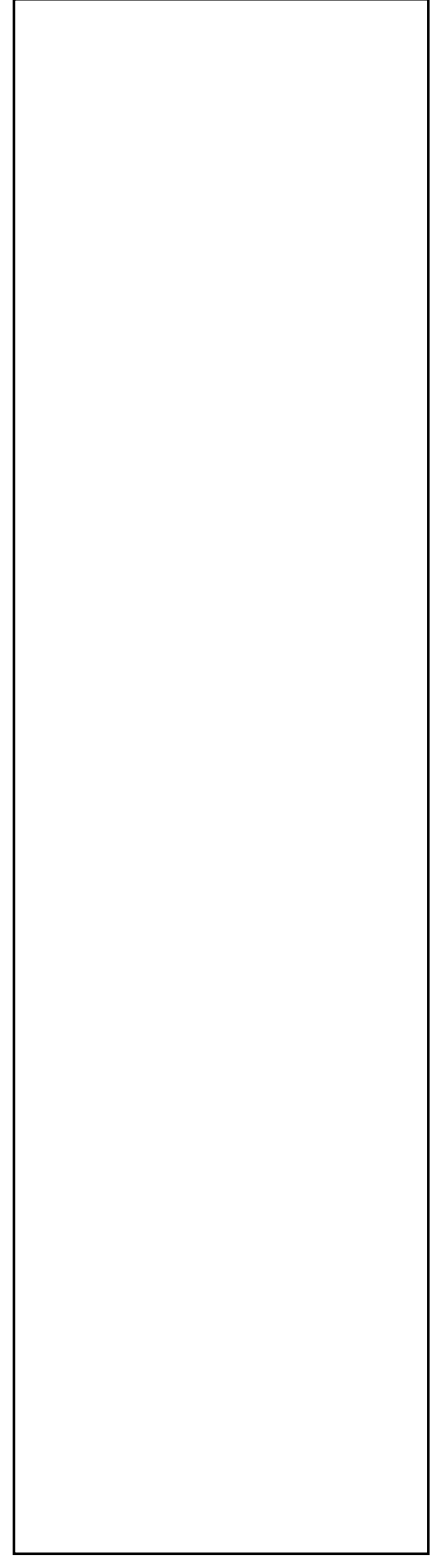
*DIMMING CONTROL WIRES ARE NOT AFFECTED BY EM PACK

1L1SBWR

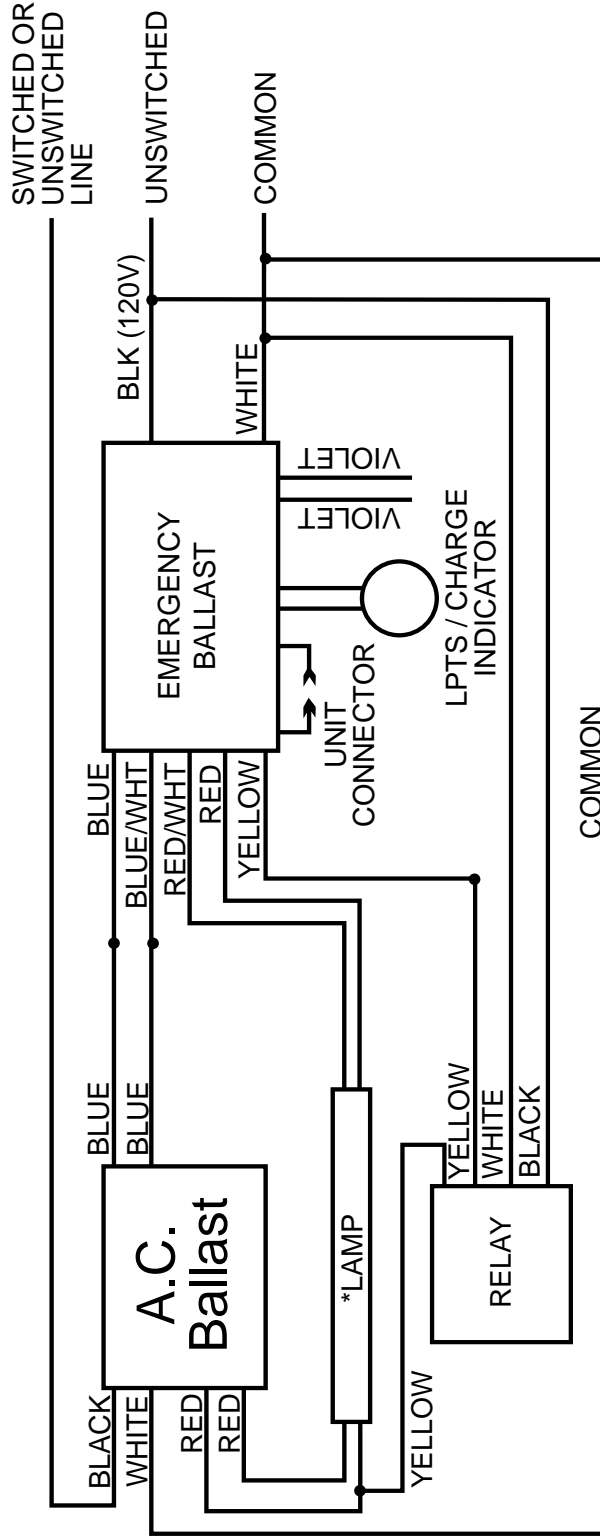
ONE LAMP INSTANT START BALLAST WITH RELAY



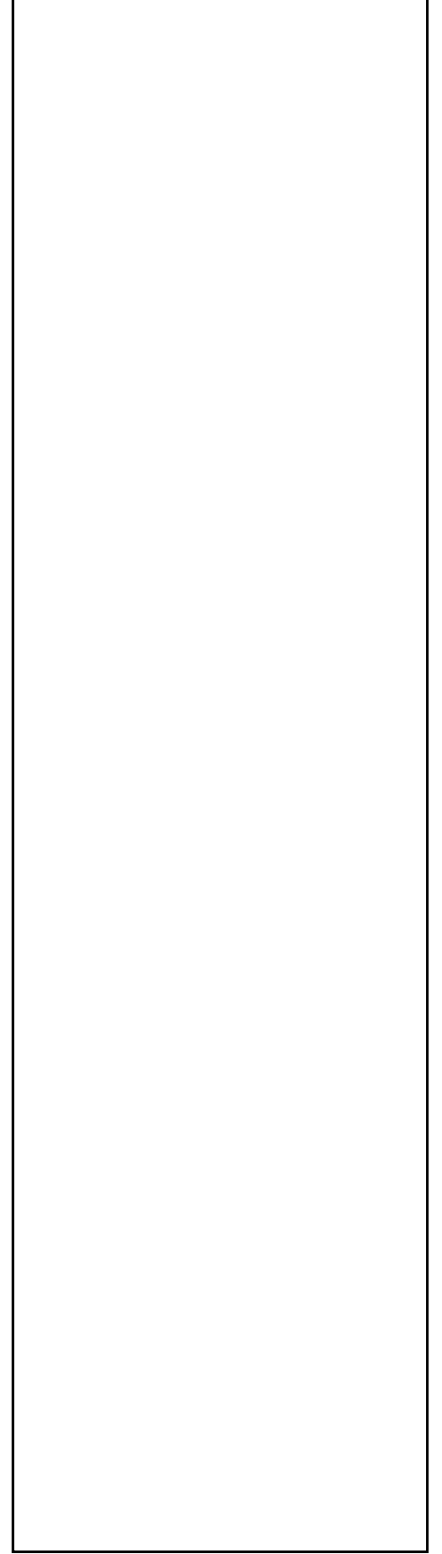
*AC / EMERGENCY



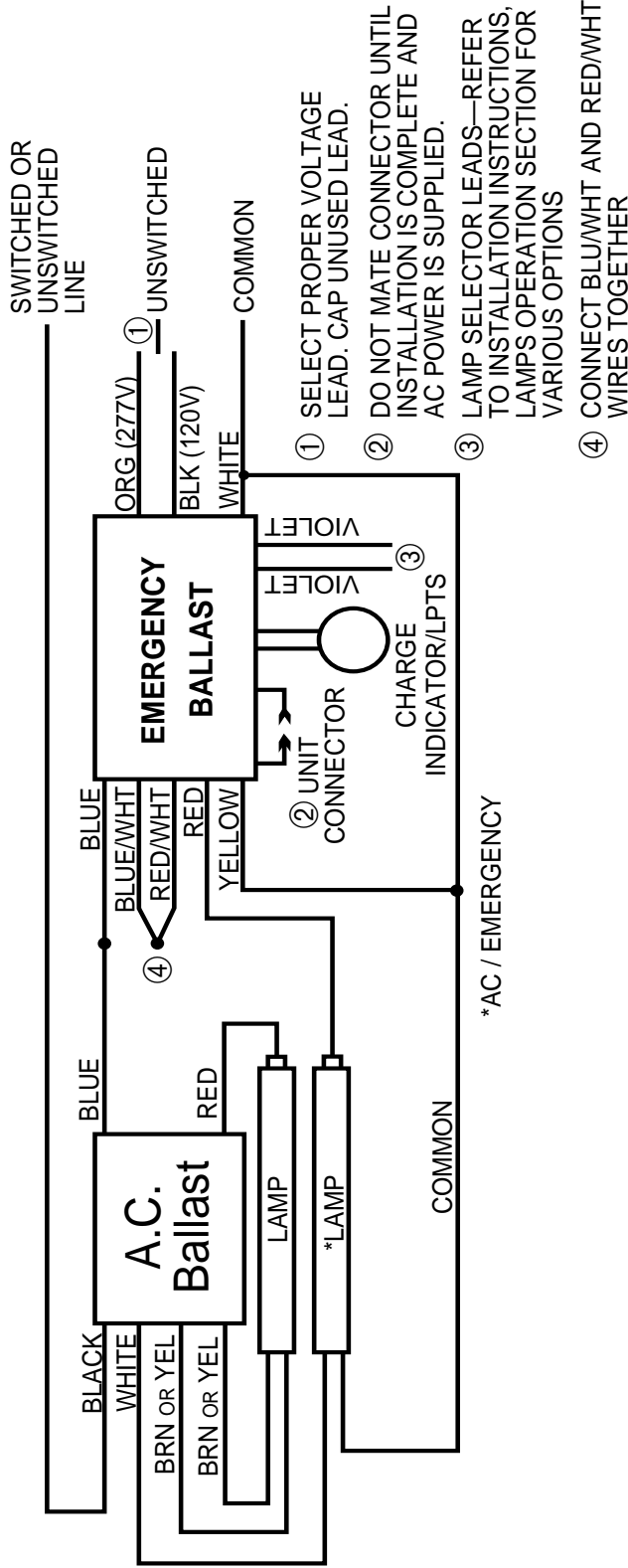
ONE LAMP RAPID START BALLAST WITH RELAY



*AC / EMERGENCY



TWO LAMP SERIES LEAD BALLAST

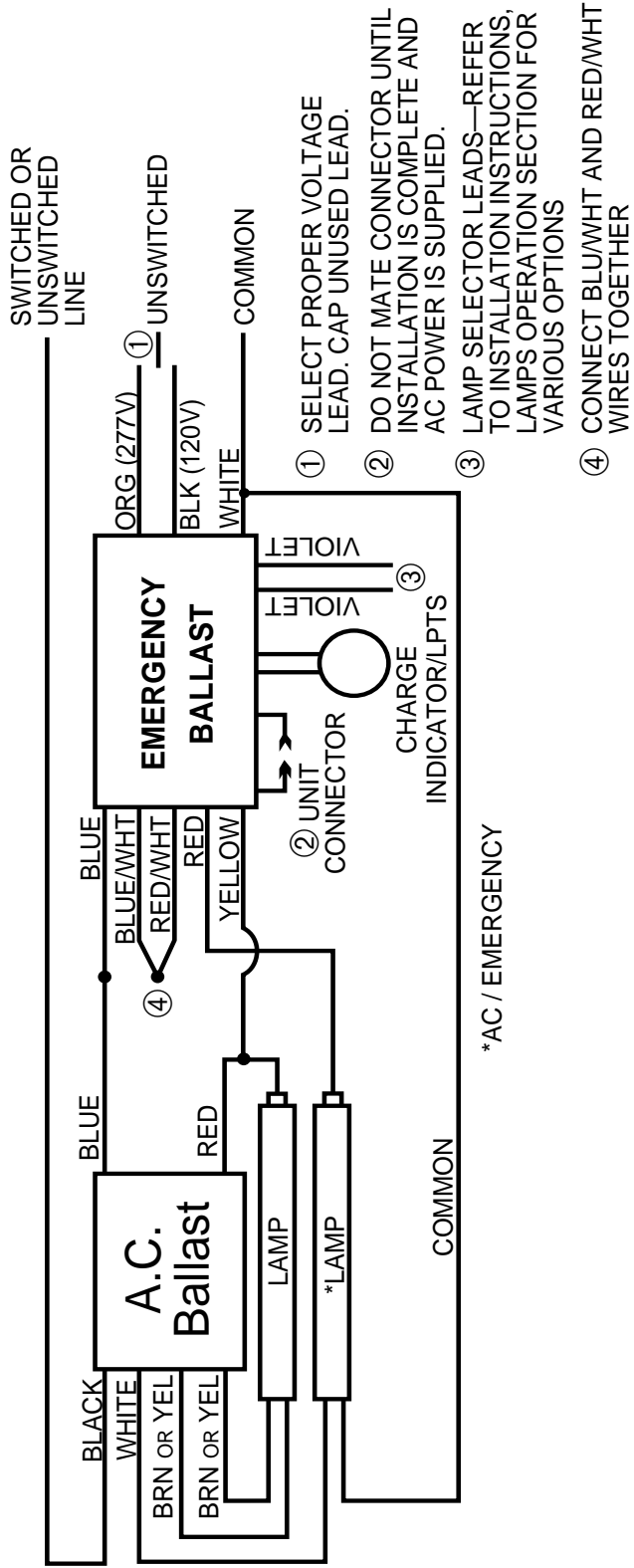


ADVANCE

V-2E75-S-TP
VSM-2E75S5-TP

ALL COMPATIBLE BALLASTS MAY NOT BE LISTED.
*DIMMING CONTROL WIRES ARE NOT AFFECTED BY EM PACK

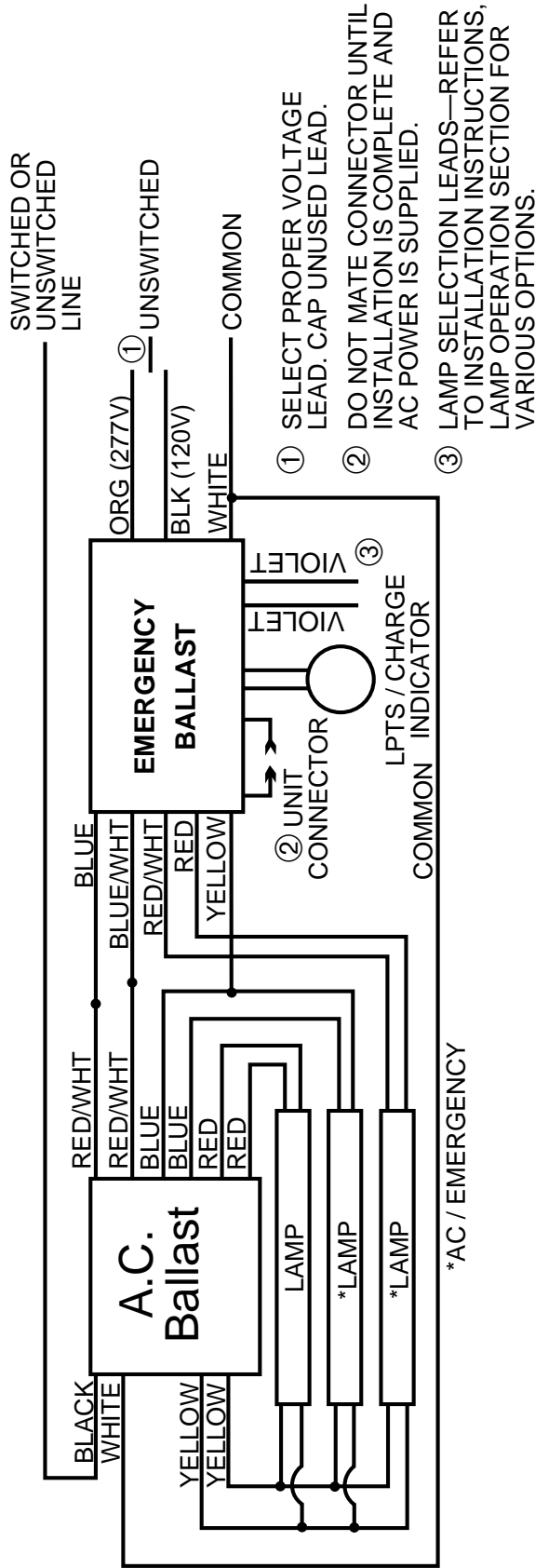
TWO LAMP SERIES LEAD BALLAST WITH TWO LAMP EMERGENCY OPERATION



ADVANCE
VSM-2E75S5-TP

ALL COMPATIBLE BALLASTS MAY NOT BE LISTED.
*DIMMING CONTROL WIRES ARE NOT AFFECTED BY EM PACK

THREE LAMP RAPID START BALLAST WITH TWO LAMP EMERGENCY OPERATION



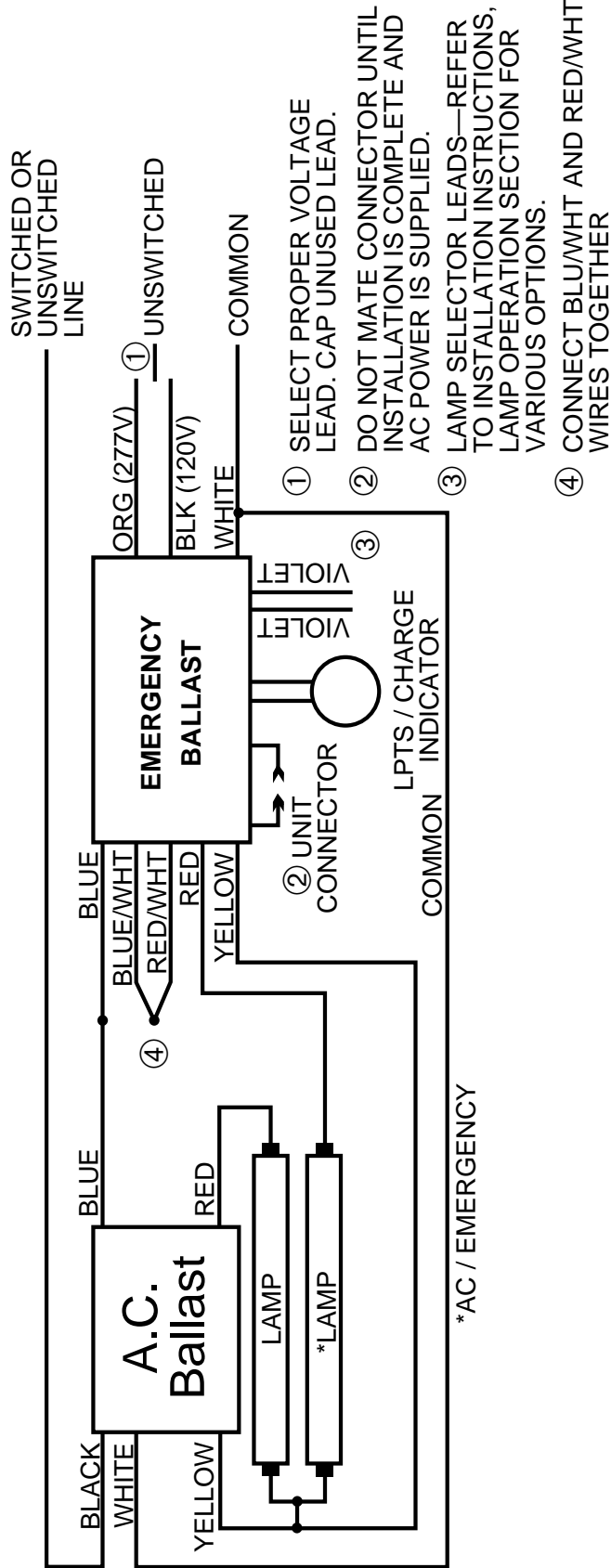
MAGNETEK

B332-R277HP
B332-R120HP

ALL COMPATIBLE BALLASTS MAY NOT BE LISTED.
*DIMMING CONTROL WIRES ARE NOT AFFECTED BY EM PACK

2LISBESI_80

TWO LAMP INSTANT START BALLAST



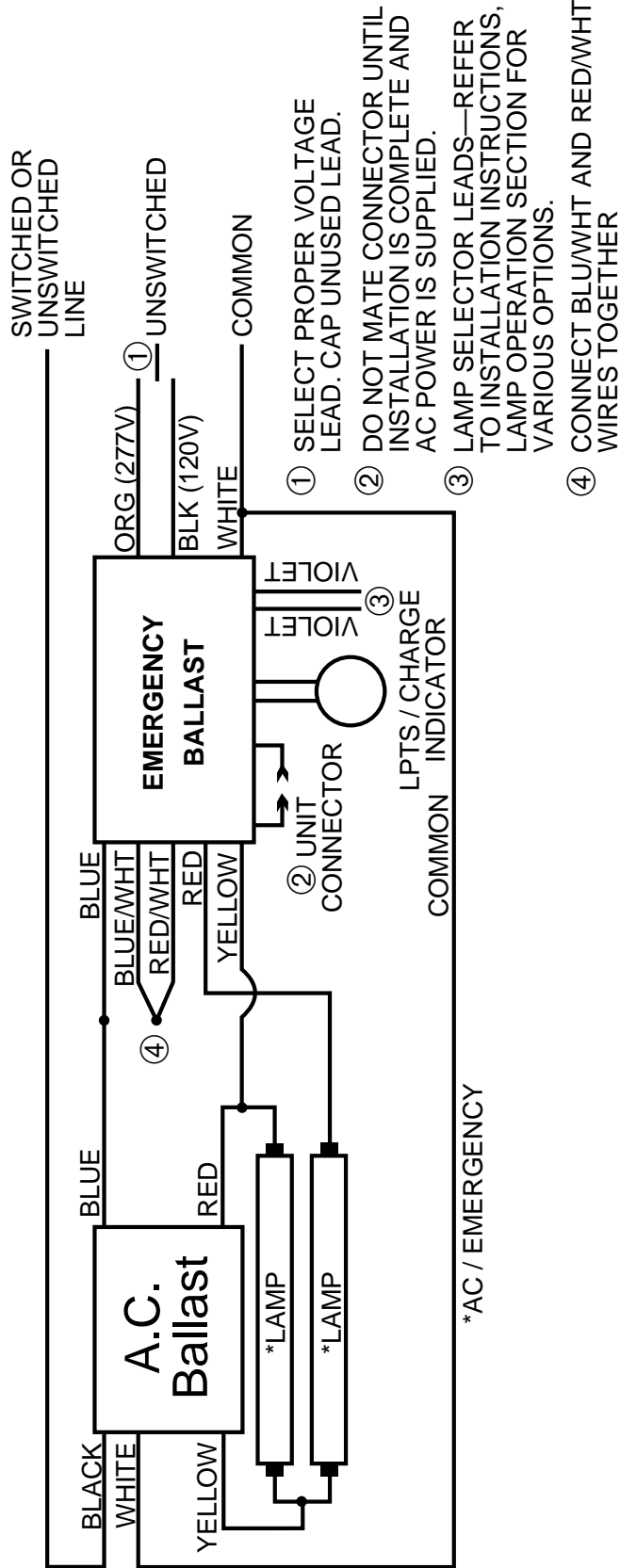
ENERGY SAVINGS

ES-2/1-T8-32/25/17/15-UNV-A-IS

ALL COMPATIBLE BALLASTS MAY NOT BE LISTED.
*DIMMING CONTROL WIRES ARE NOT AFFECTED BY EM PACK

2LISBESI_2LEO_80

TWO LAMP INSTANT START BALLAST TWO LAMP OPERATION



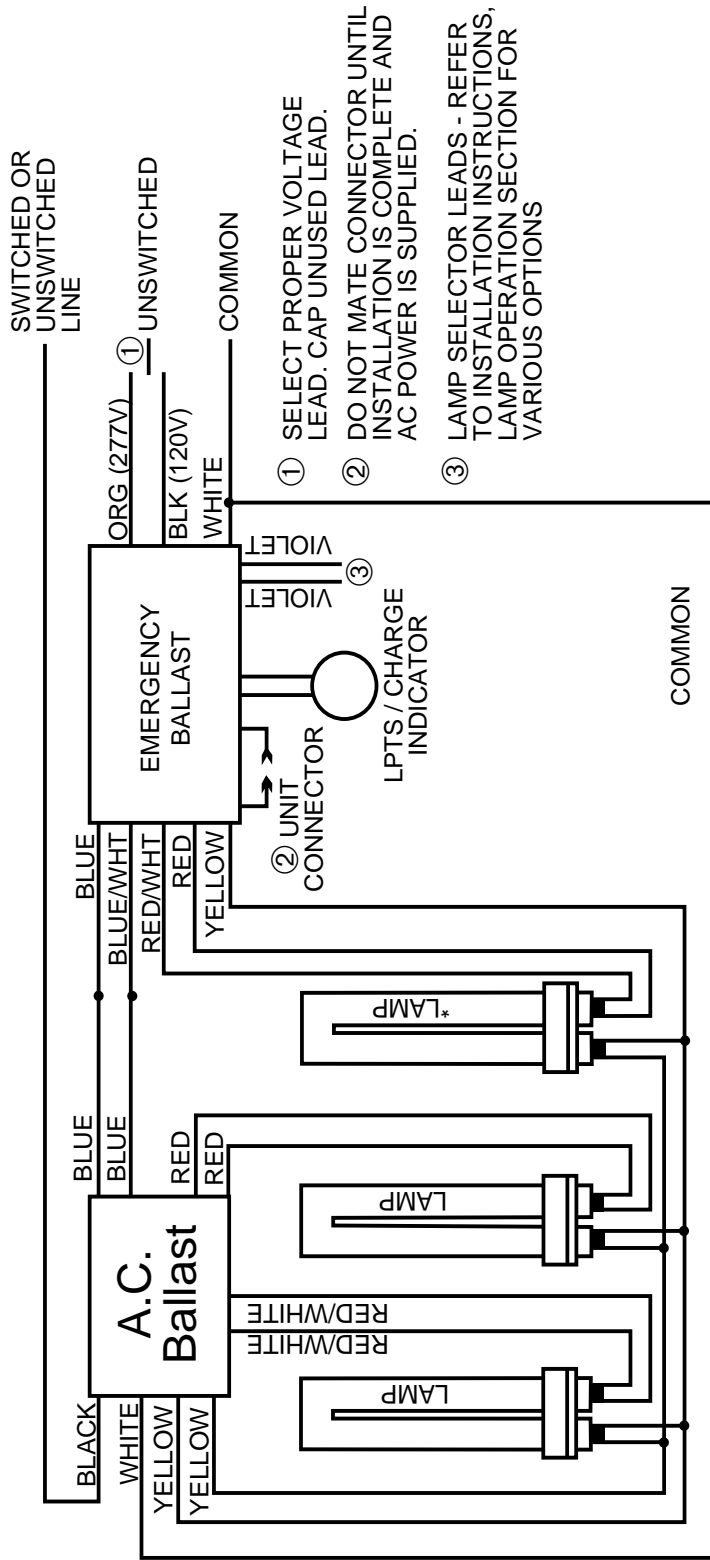
ENERGY SAVINGS

ES-2/1-T8-32/25/17/15-UNV-A-IS

ALL COMPATIBLE BALLASTS MAY NOT BE LISTED.
*DIMMING CONTROL WIRES ARE NOT AFFECTED BY EM PACK

3BXLRSB_80_2

THREE BIAx RAPID START BALLAST

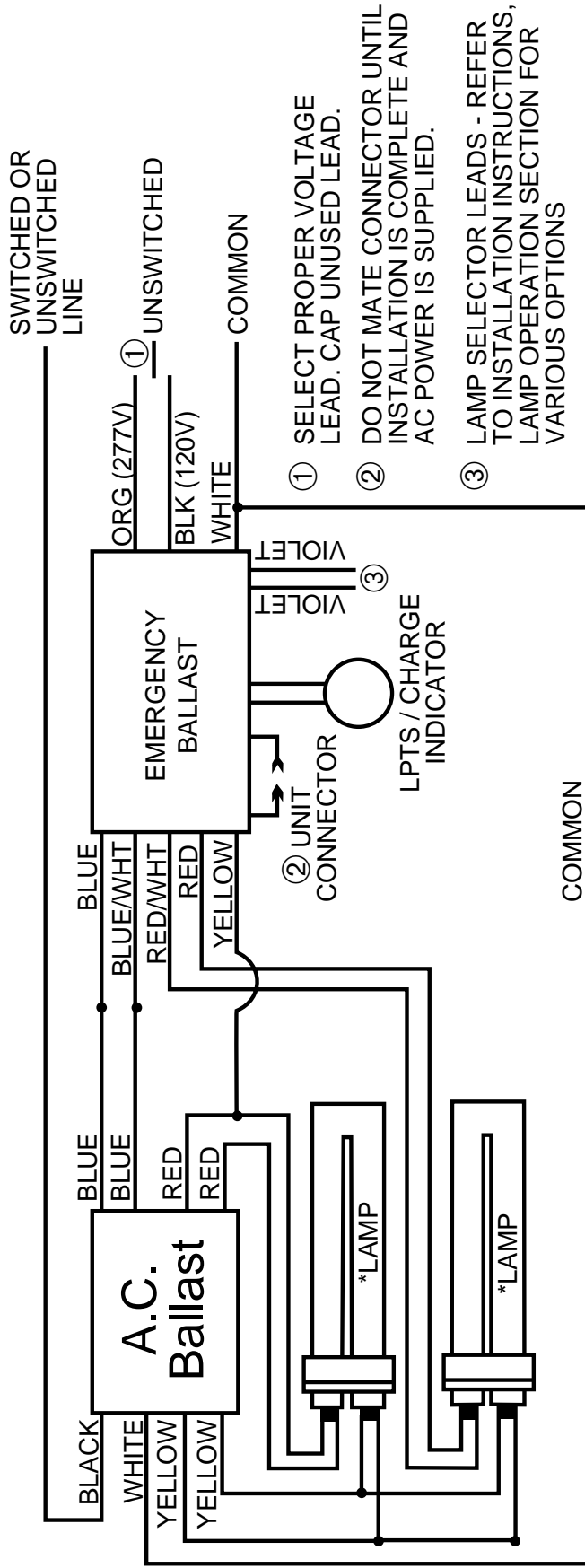


MAGNETEK

B340-R120 HP
B340-R277 HP

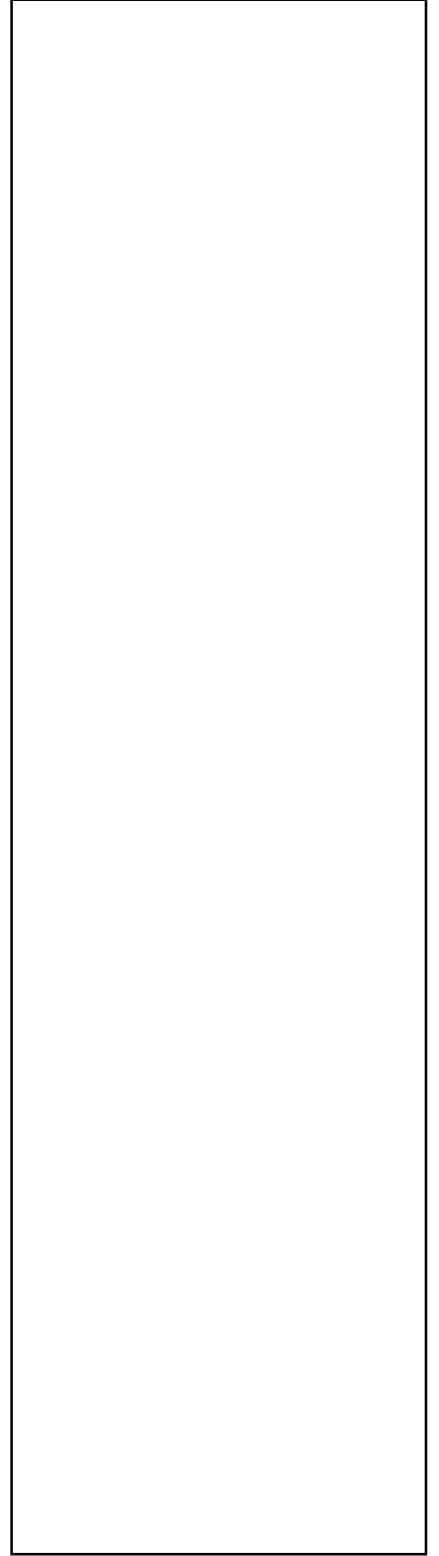
ALL COMPATIBLE BALLASTS MAY NOT BE LISTED.
*DIMMING CONTROL WIRES ARE NOT AFFECTED BY EM PACK

TWO LAMP RAPID START BALLAST TWO LAMP OPERATION

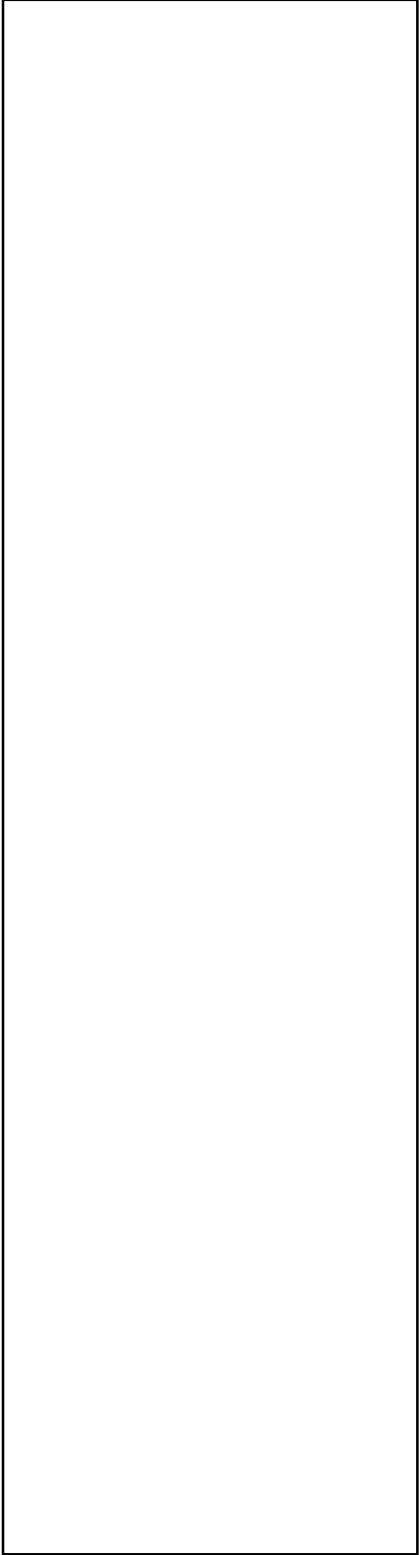
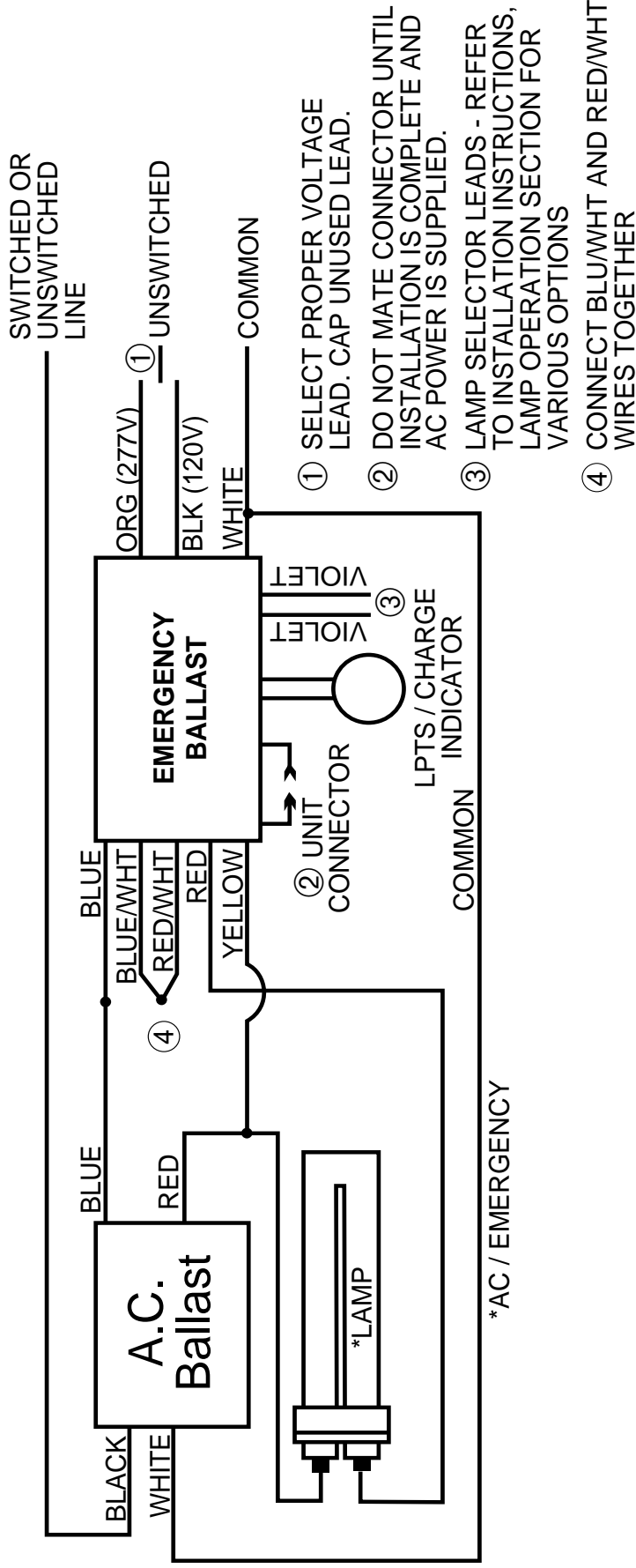


- ① SELECT PROPER VOLTAGE LEAD. CAP UNUSED LEAD.
- ② DO NOT MATE CONNECTOR UNTIL INSTALLATION IS COMPLETE AND AC POWER IS SUPPLIED.
- ③ LAMP SELECTOR LEADS - REFER TO INSTALLATION INSTRUCTIONS, LAMP OPERATION SECTION FOR VARIOUS OPTIONS

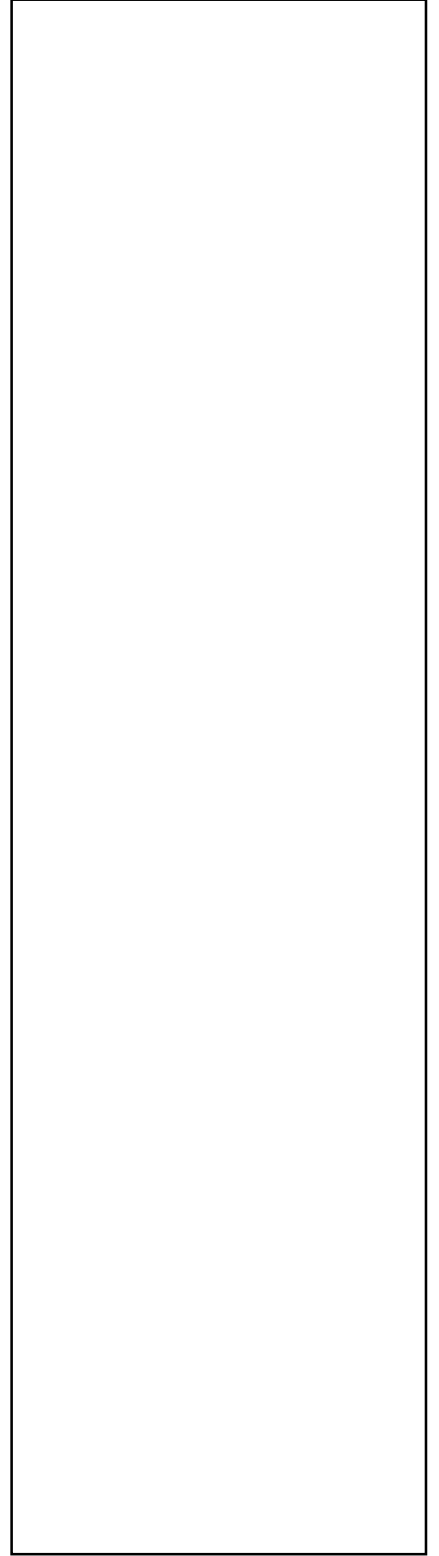
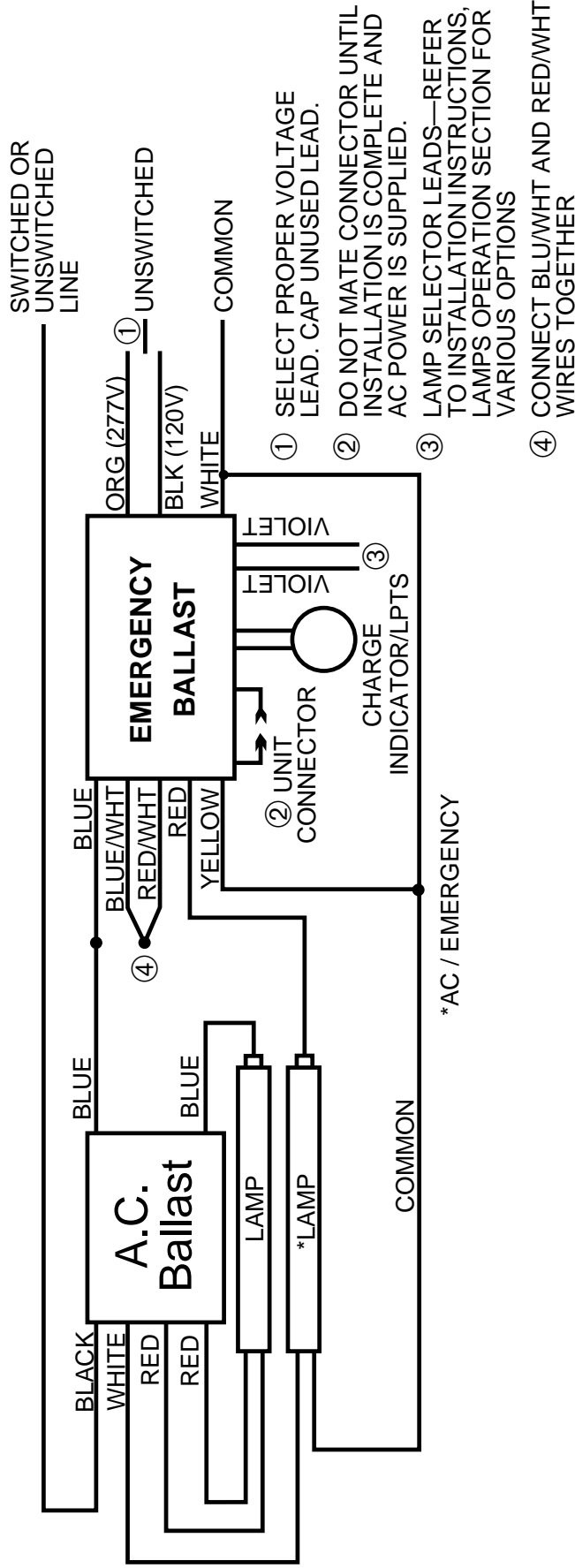
*AC / EMERGENCY



ONE LAMP INSTANT START BIAx

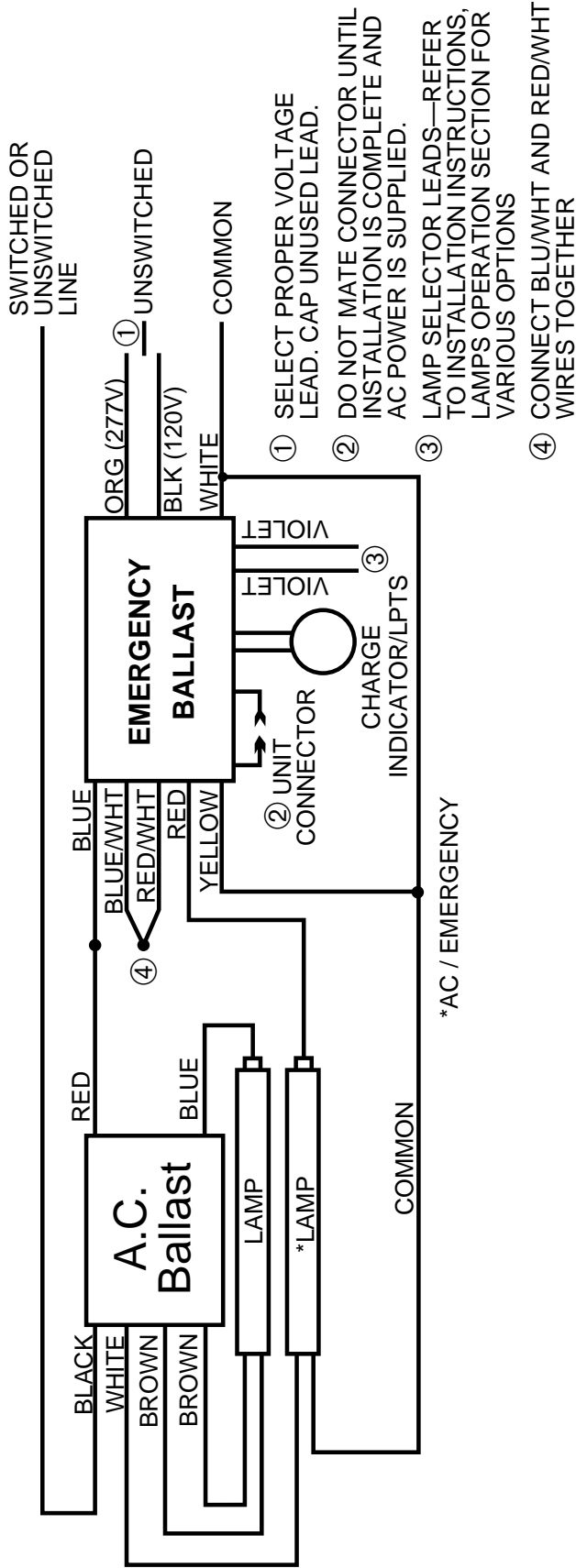


TWO LAMP SERIES LEAD BALLAST



2LSL_80_3

TWO LAMP SERIES LEAD BALLAST

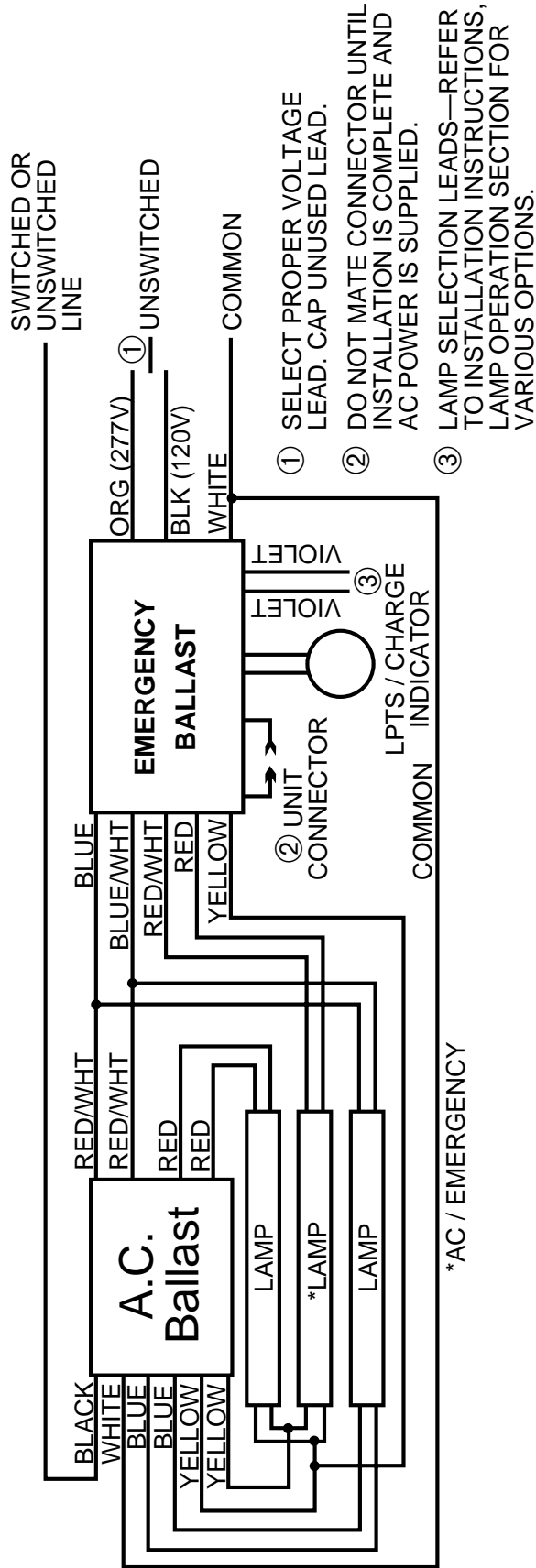


MAGNETEK

827-SLH-TC-P

ALL COMPATIBLE BALLASTS MAY NOT BE LISTED.
*DIMMING CONTROL WIRES ARE NOT AFFECTED BY EM PACK

THREE LAMP RAPID START BALLAST

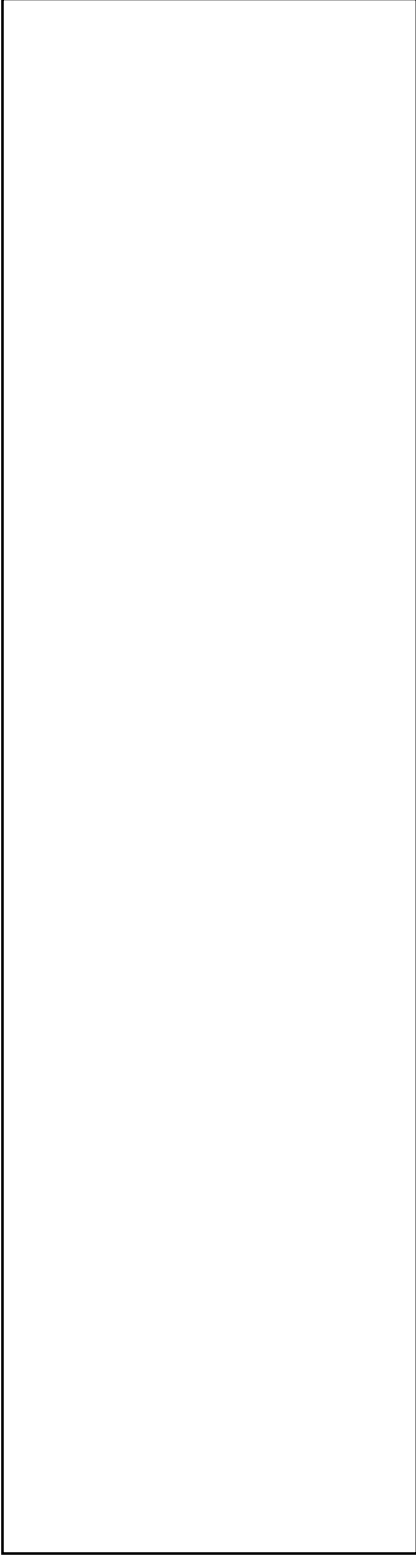
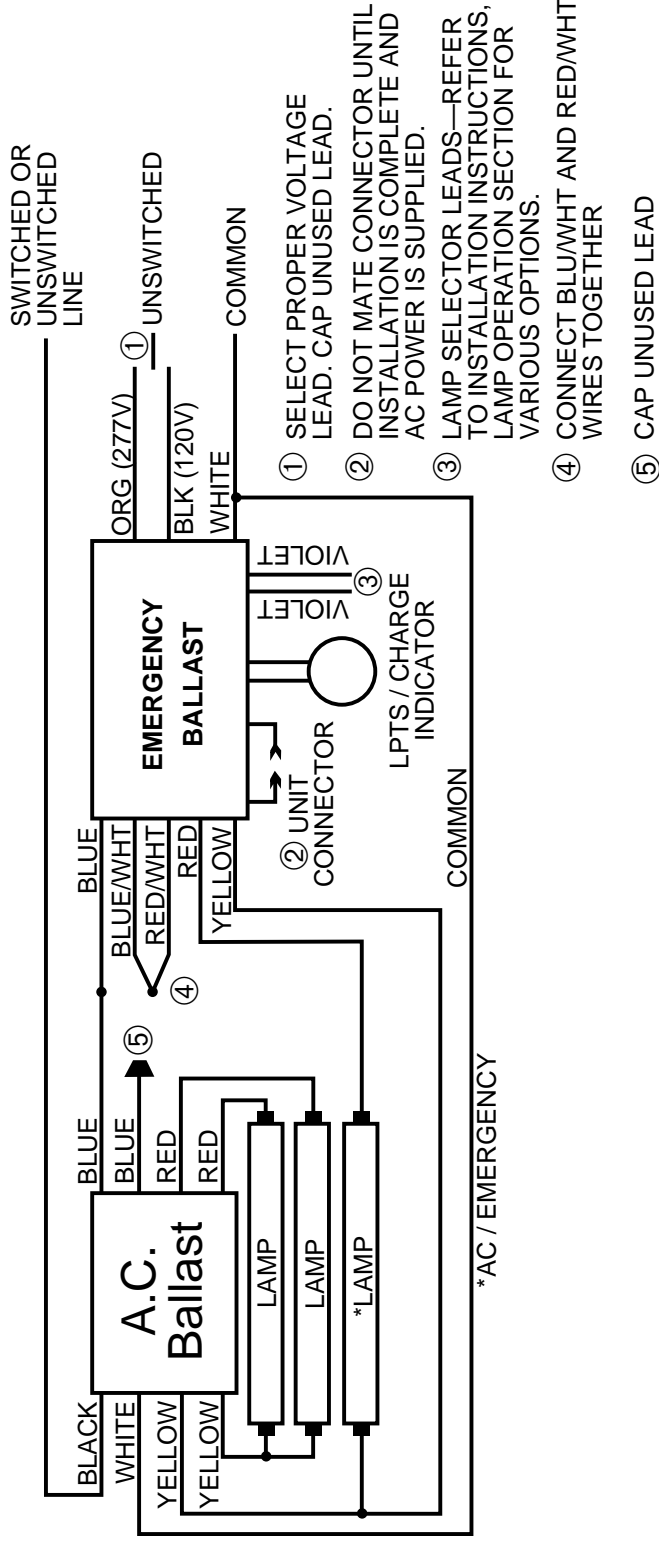


OSRAM/SYLVANIA
QTP3X32/T8TLRSN

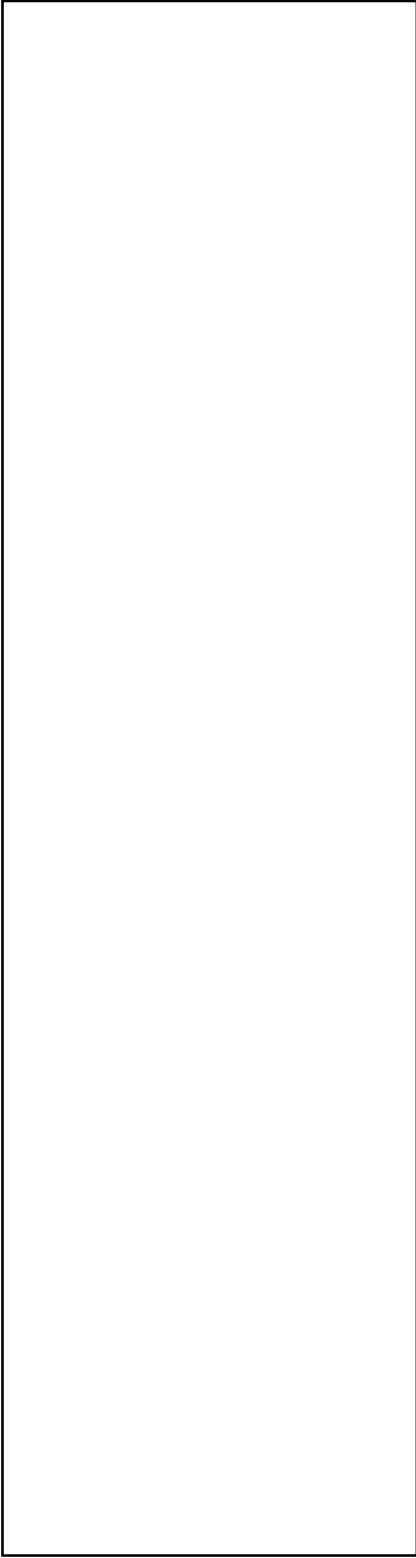
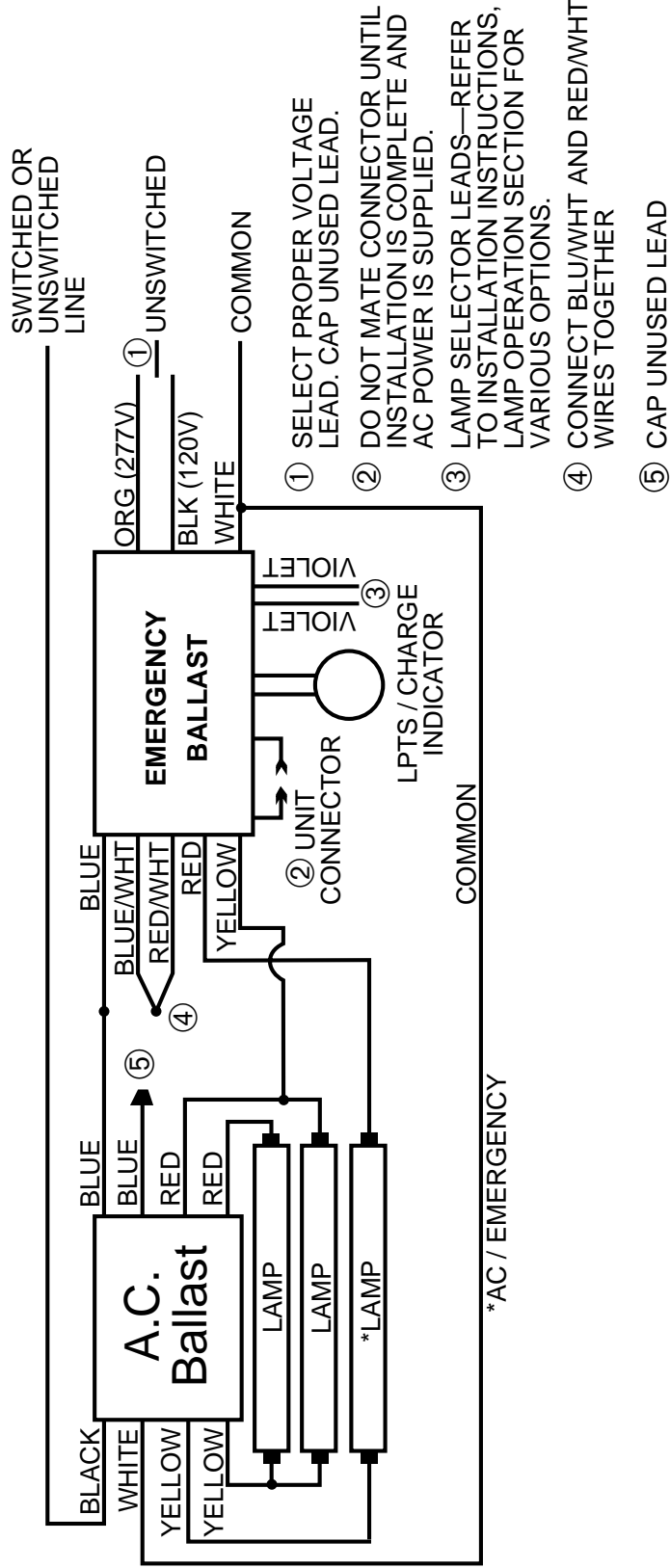
ALL COMPATIBLE BALLASTS MAY NOT BE LISTED.
*DIMMING CONTROL WIRES ARE NOT AFFECTED BY EM PACK

4LISB_80_2

FOUR LAMP INSTANT START BALLAST WITH THREE LAMPS ONLY

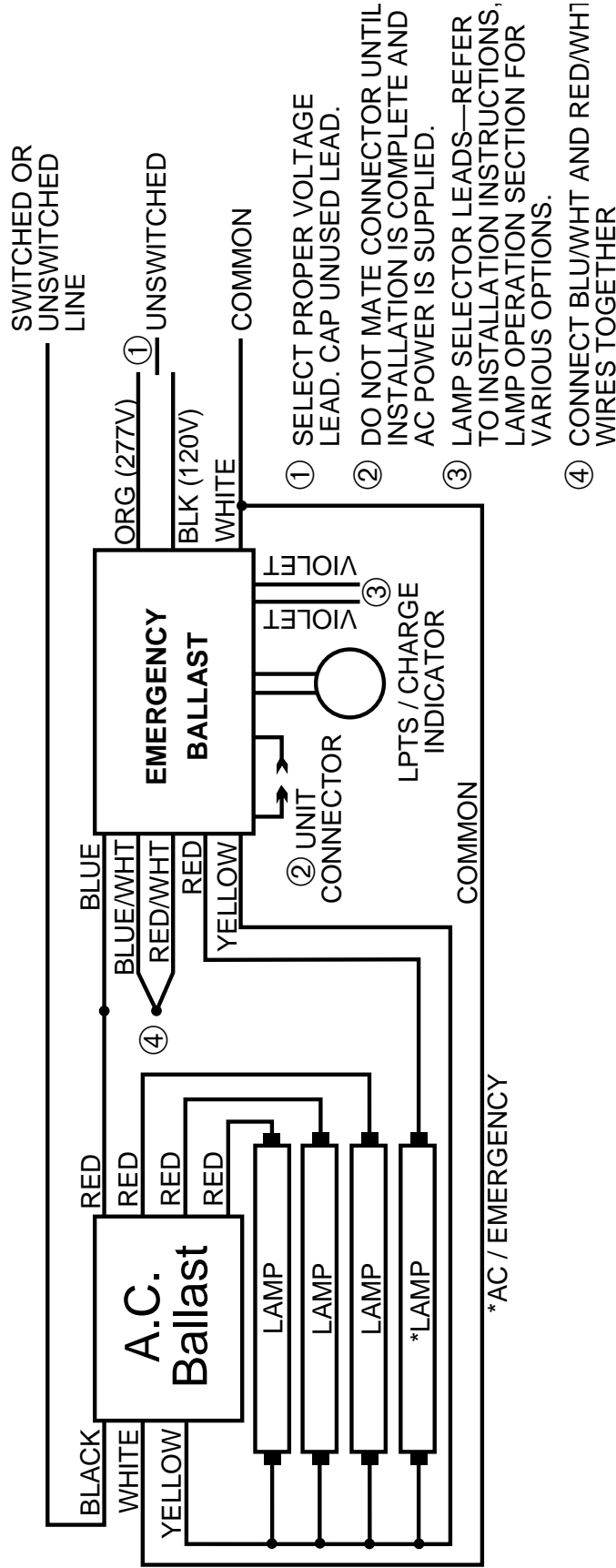


FOUR LAMP INSTANT START BALLAST WITH THREE LAMPS ONLY TWO LAMP EMERGENCY OPERATION



4LFB.

FOUR LAMP FULLHAM BALLAST

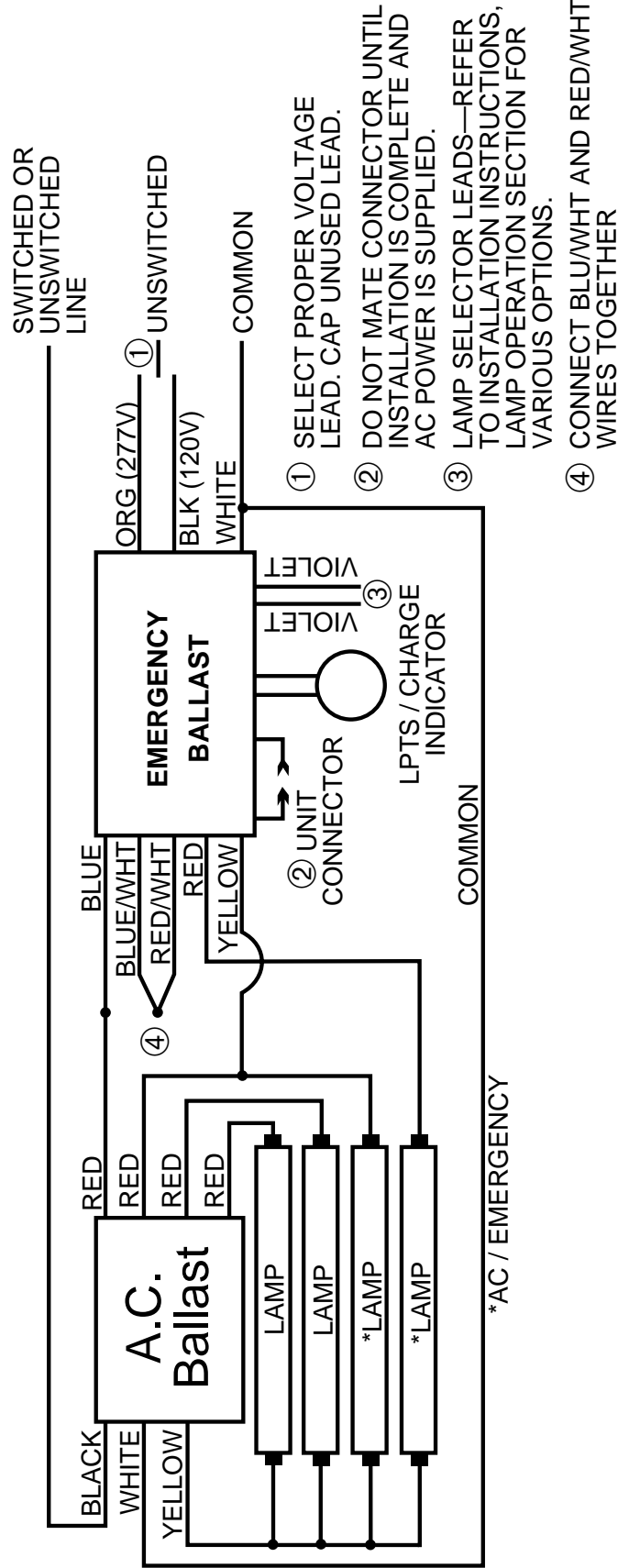


FULLHAM
WORKHORSE 5

ALL COMPATIBLE BALLASTS MAY NOT BE LISTED.
*DIMMING CONTROL WIRES ARE NOT AFFECTED BY EM PACK

4LFB_80_2L

FOUR LAMP FULLHAM BALLAST WITH TWO LAMP EMERGENCY OPERATION

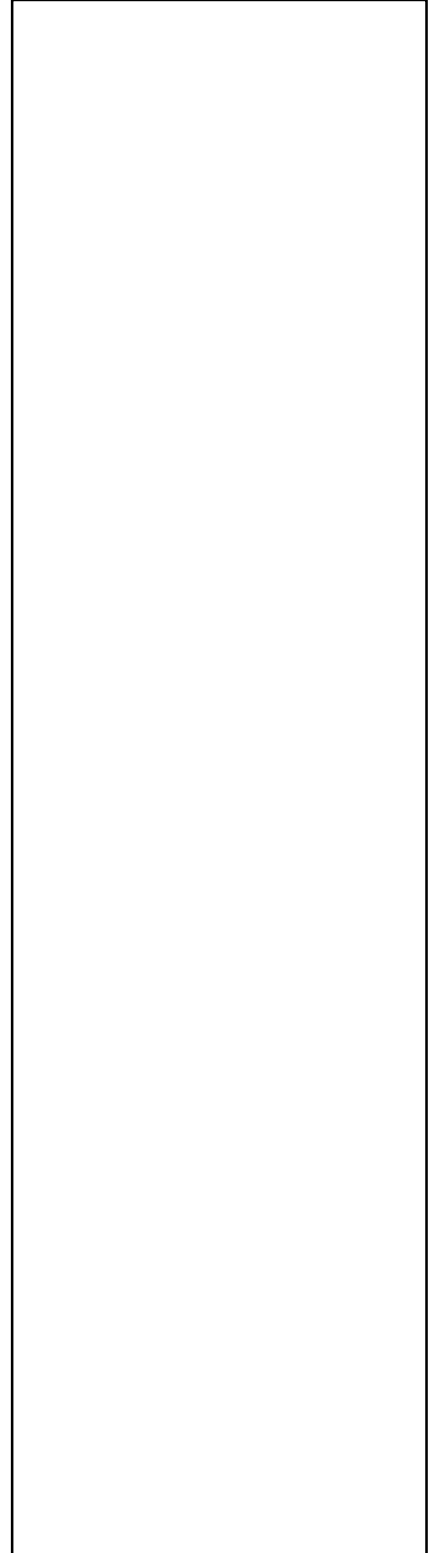
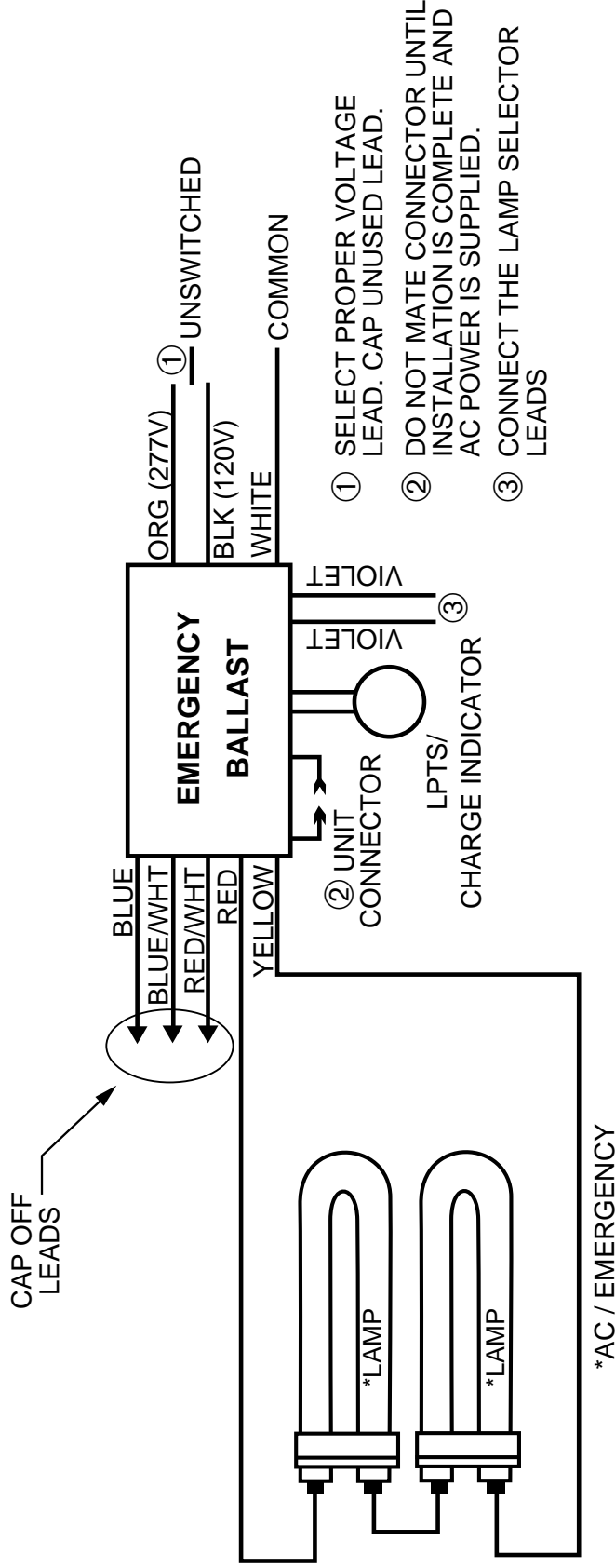


FULLHAM

WORKHORSE 5

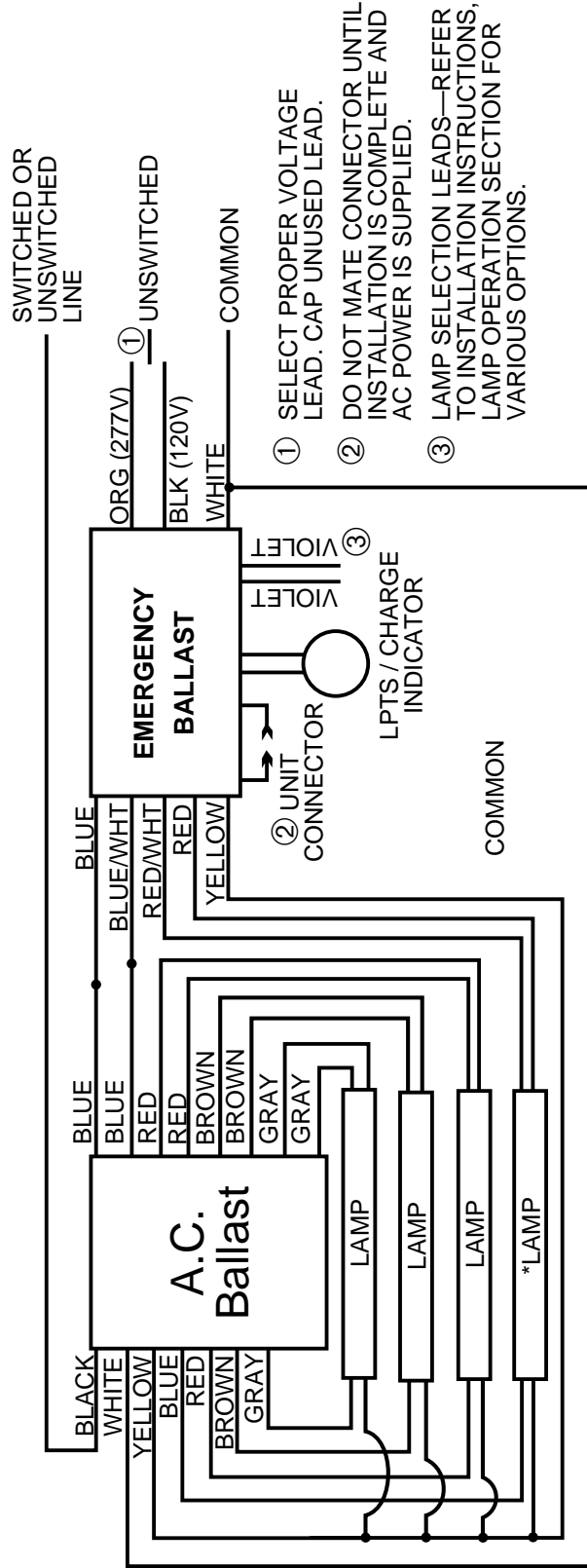
ALL COMPATIBLE BALLASTS MAY NOT BE LISTED.
*DIMMING CONTROL WIRES ARE NOT AFFECTED BY EM PACK

TWO U-SHAPE LAMP EMERGENCY ONLY



4LR5B3_80

FOUR LAMP RAPID START BALLAST



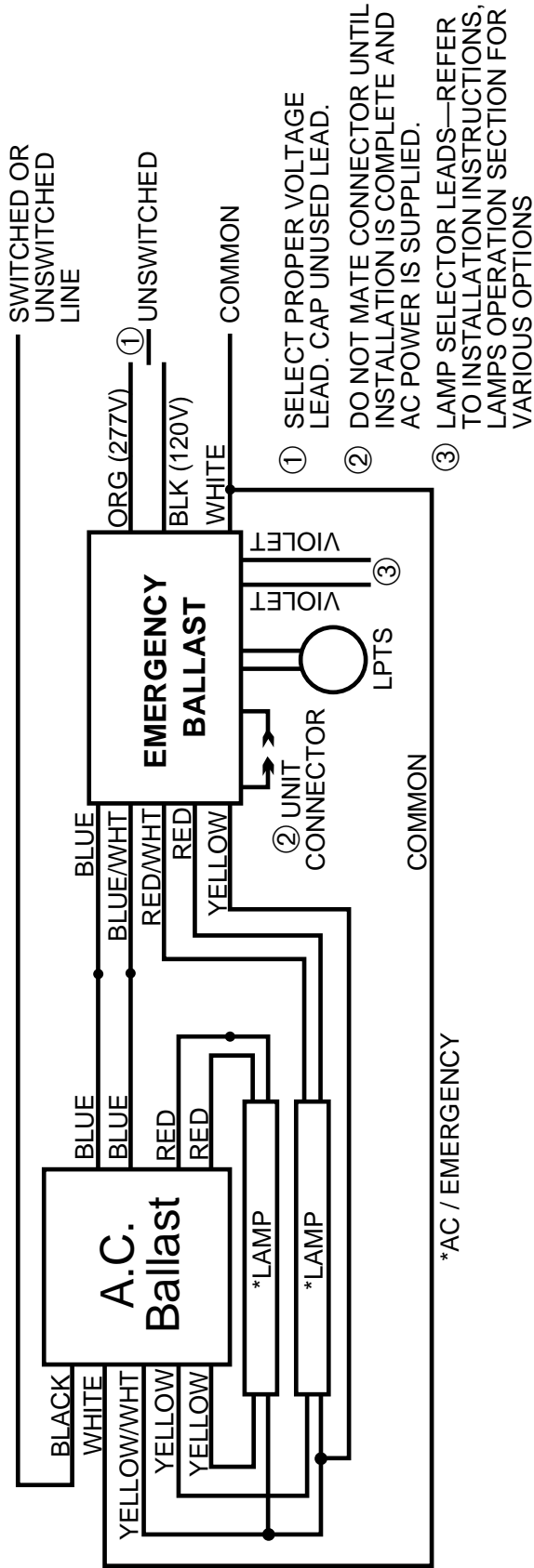
DENKI

DE440P27PL

ALL COMPATIBLE BALLASTS MAY NOT BE LISTED.
 *DIMMING CONTROL WIRES ARE NOT AFFECTED BY EM PACK

2LR5B_2LEO_SYL

TWO LAMP RAPID START BALLAST



- ① SELECT PROPER VOLTAGE LEAD. CAP UNUSED LEAD.
- ② DO NOT MATE CONNECTOR UNTIL INSTALLATION IS COMPLETE AND AC POWER IS SUPPLIED.
- ③ LAMP SELECTOR LEADS—REFER TO INSTALLATION INSTRUCTIONS, LAMPS OPERATION SECTION FOR VARIOUS OPTIONS

NOTE:
DIMMING WIRE IS NOT AFFECTED BY THE EM BALLAST

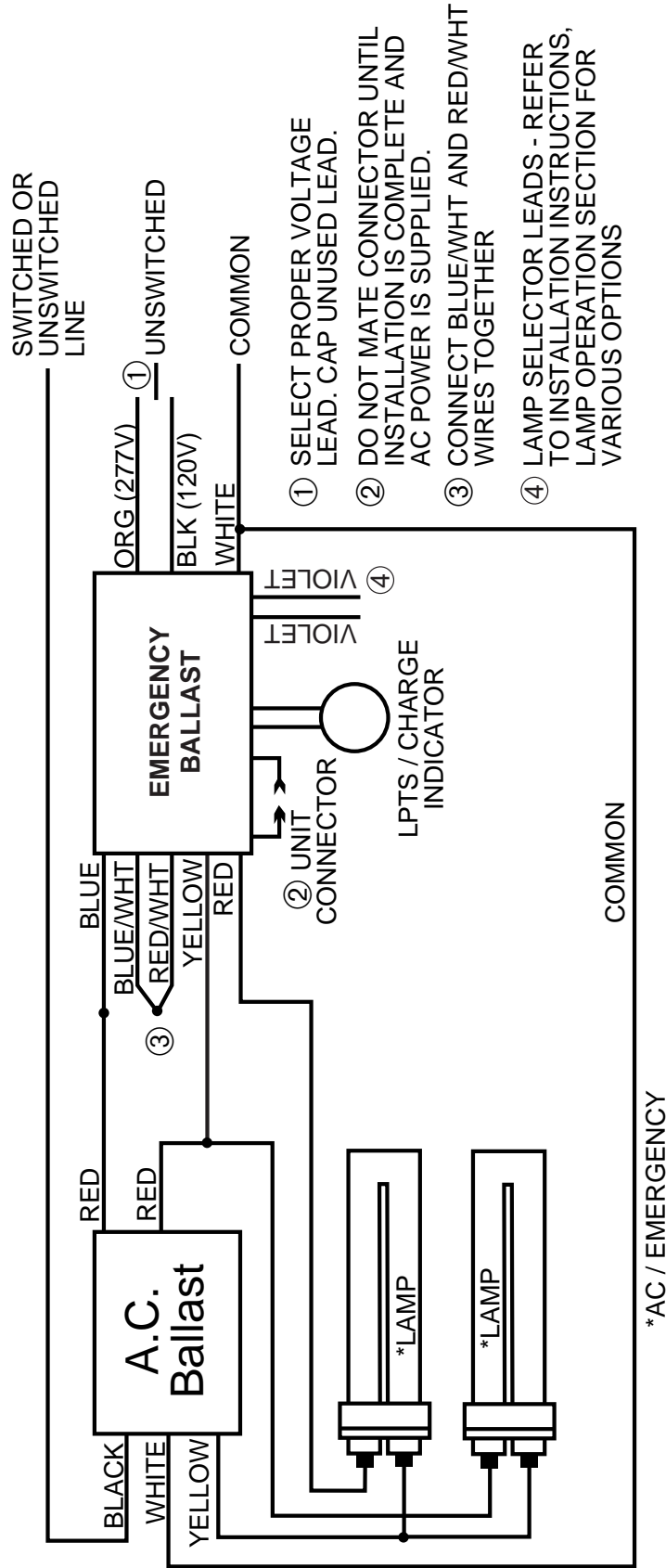
SYLVANIA
QT2x54/120PH0-DIM

ALL COMPATIBLE BALLASTS MAY NOT BE LISTED.
*DIMMING CONTROL WIRES ARE NOT AFFECTED BY EM PACK

*AC / EMERGENCY

2LBF

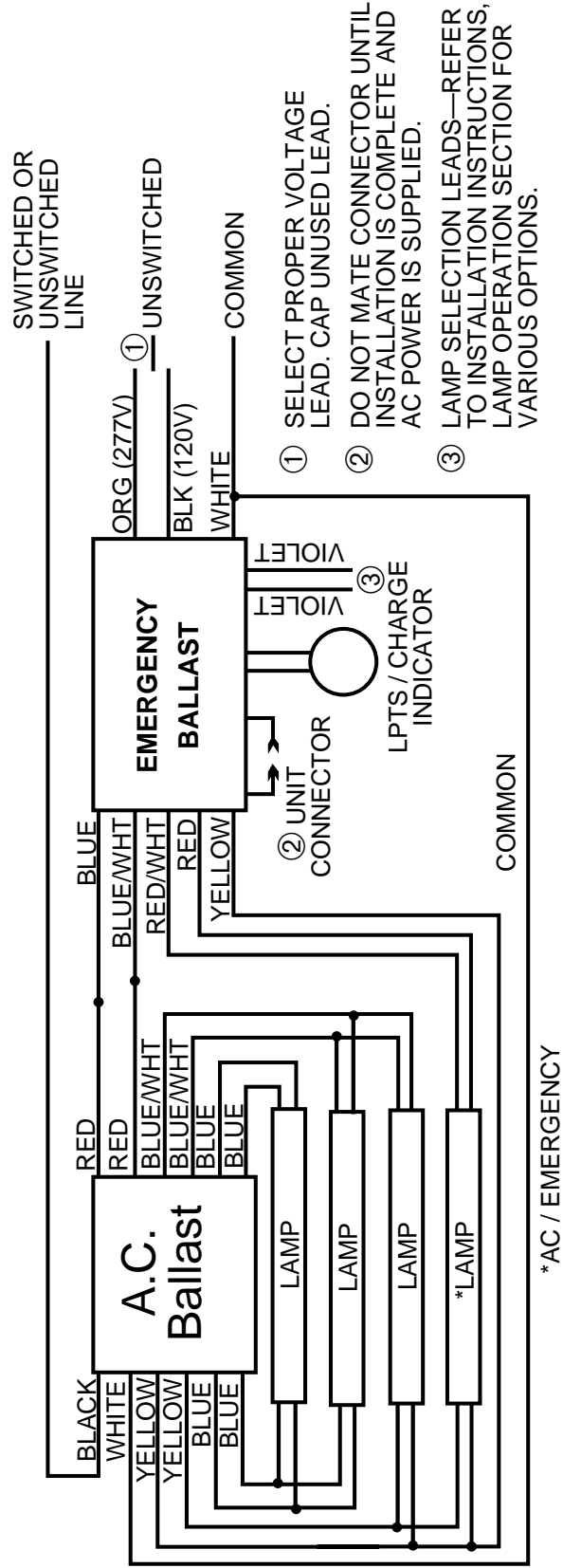
TWO BIAX LAMP FULLHAM BALLAST TWO LAMP EMERGENCY OPERATION



FULLHAM
WH3

ALL COMPATIBLE BALLASTS MAY NOT BE LISTED.
*DIMMING CONTROL WIRES ARE NOT AFFECTED BY EM PACK

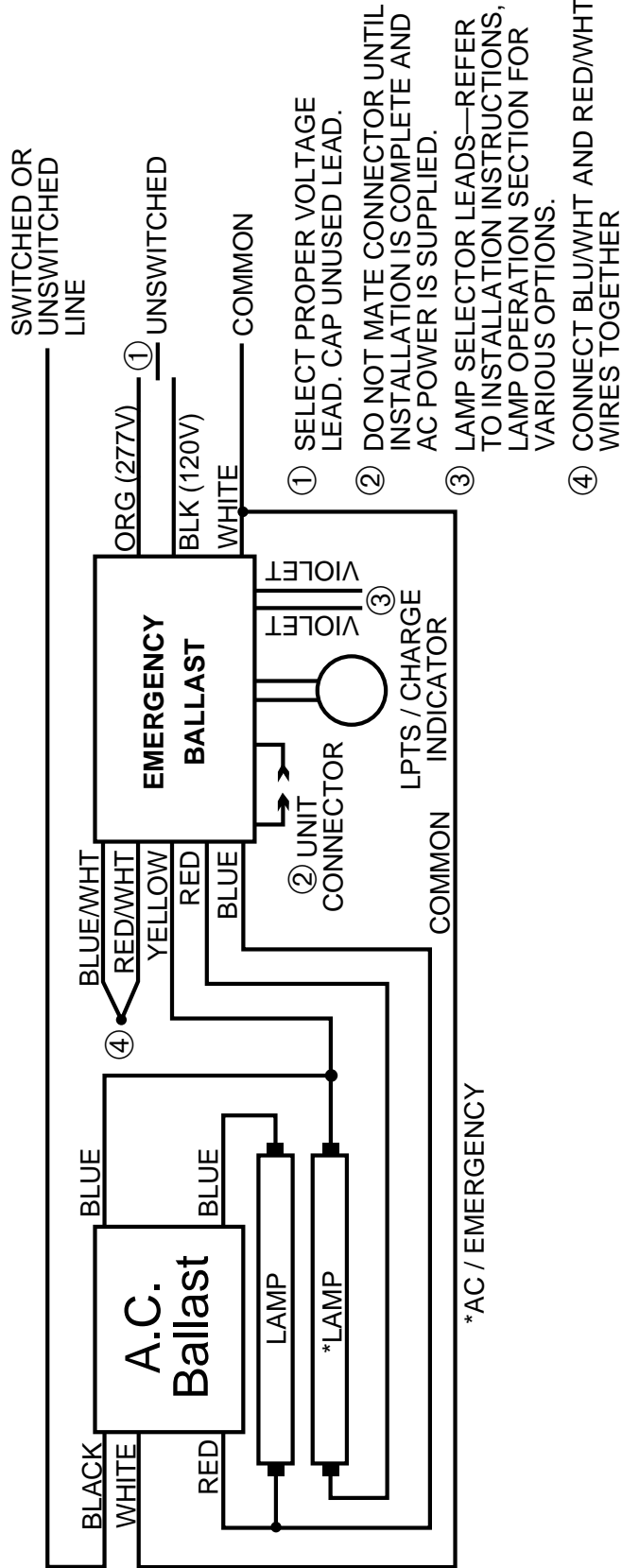
FOUR LAMP RAPID START BALLAST



SYLVANIA
QT4X32

ALL COMPATIBLE BALLASTS MAY NOT BE LISTED.
*DIMMING CONTROL WIRES ARE NOT AFFECTED BY EM PACK

TWO LAMP INSTANT START BALLAST

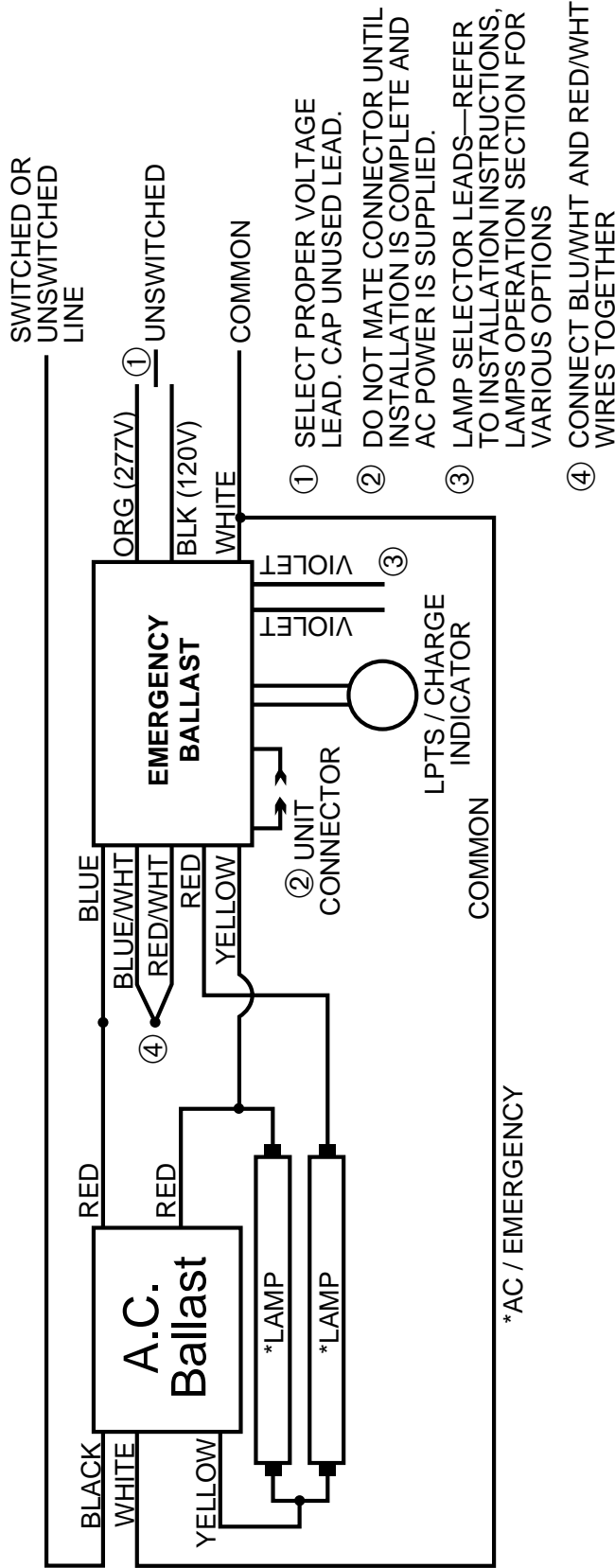


ADVANCE
REL 2P59-SRHTP

ALL COMPATIBLE BALLASTS MAY NOT BE LISTED.
*DIMMING CONTROL WIRES ARE NOT AFFECTED BY EM PACK

2LISFB2_80_2LEO

TWO LAMP INSTANT START BALLAST TWO LAMP EMERGENCY OPERATION

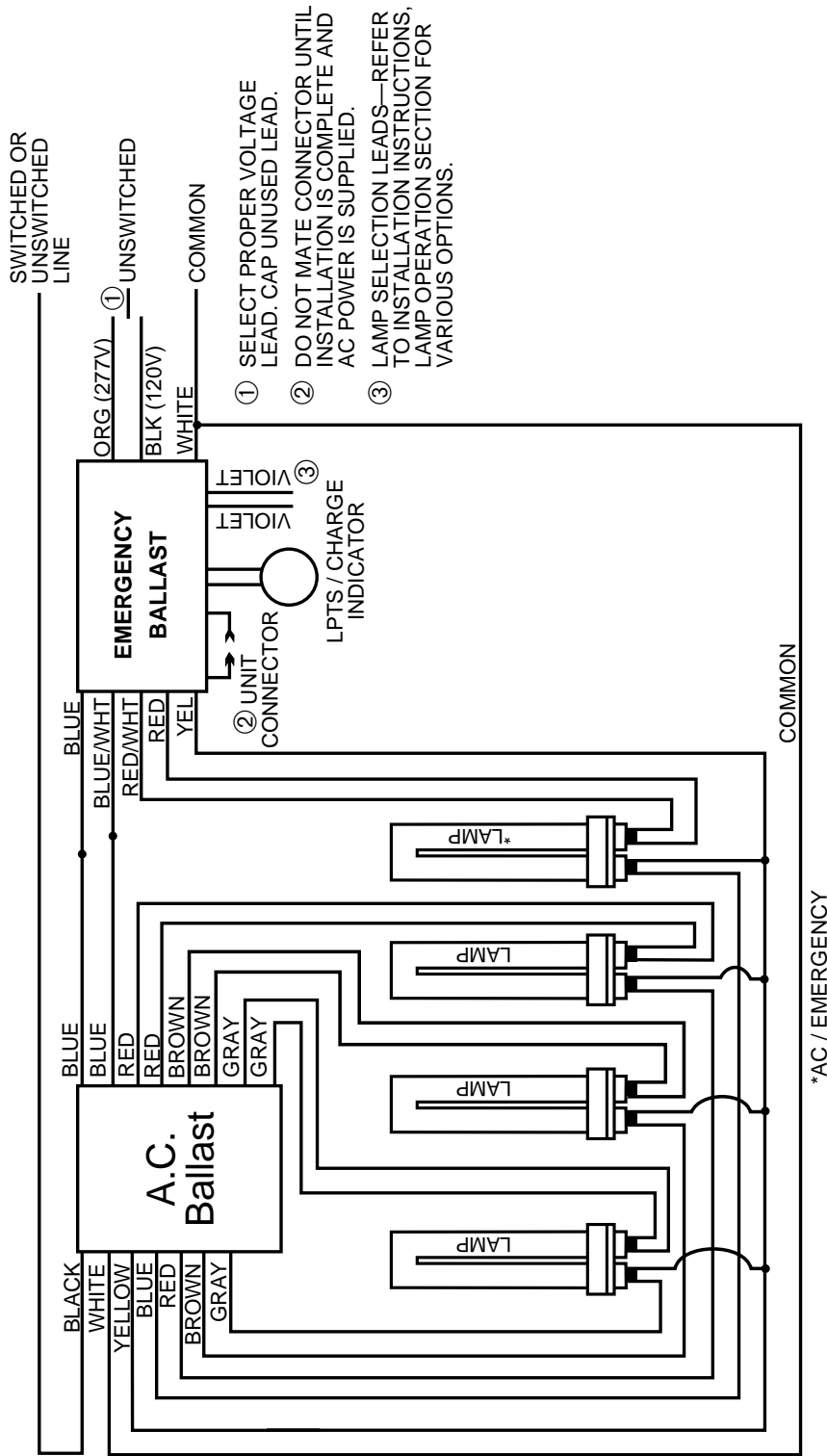


FULLHAM
WORKHORSE 3

ALL COMPATIBLE BALLASTS MAY NOT BE LISTED.
*DIMMING CONTROL WIRES ARE NOT AFFECTED BY EM PACK

4LBR5B_80

FOUR LAMP BIAx RAPID START BALLAST



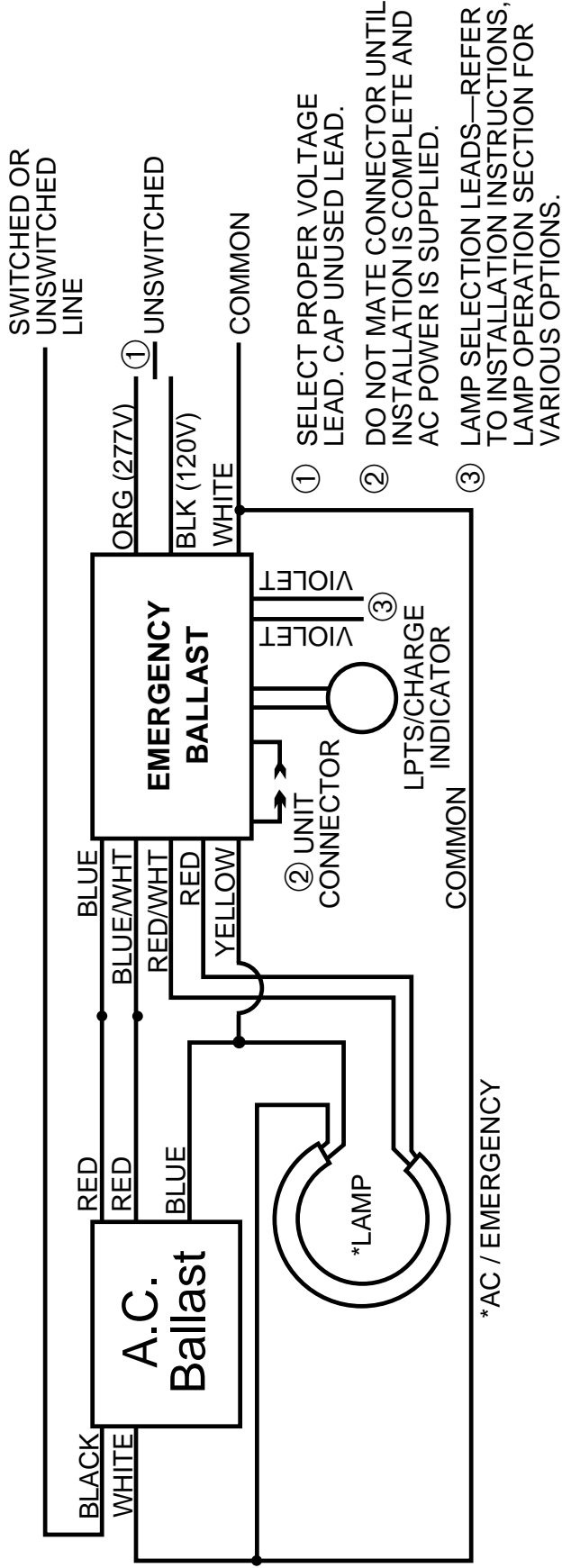
DENKI

DE440P27PL

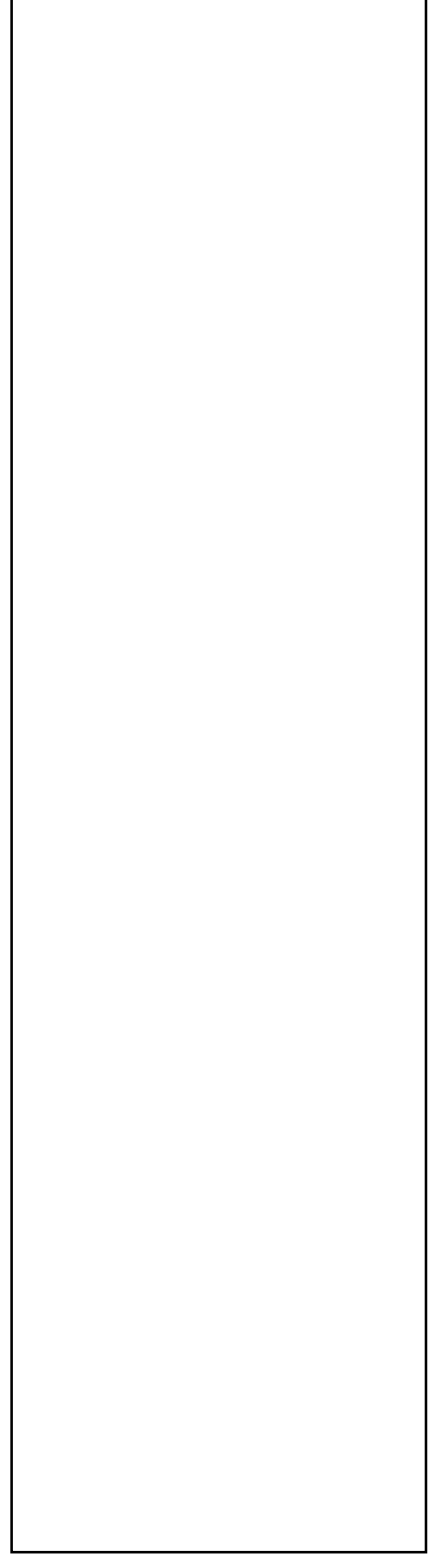
ALL COMPATIBLE BALLASTS MAY NOT BE LISTED.
 *DIMMING CONTROL WIRES ARE NOT AFFECTED BY EM PACK

1LCRSB2

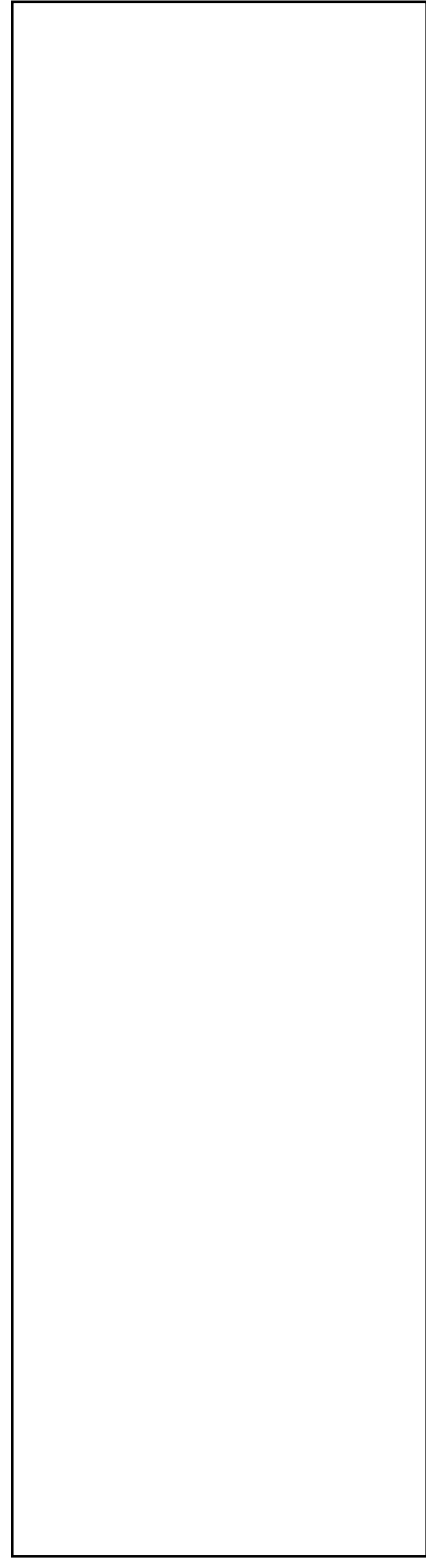
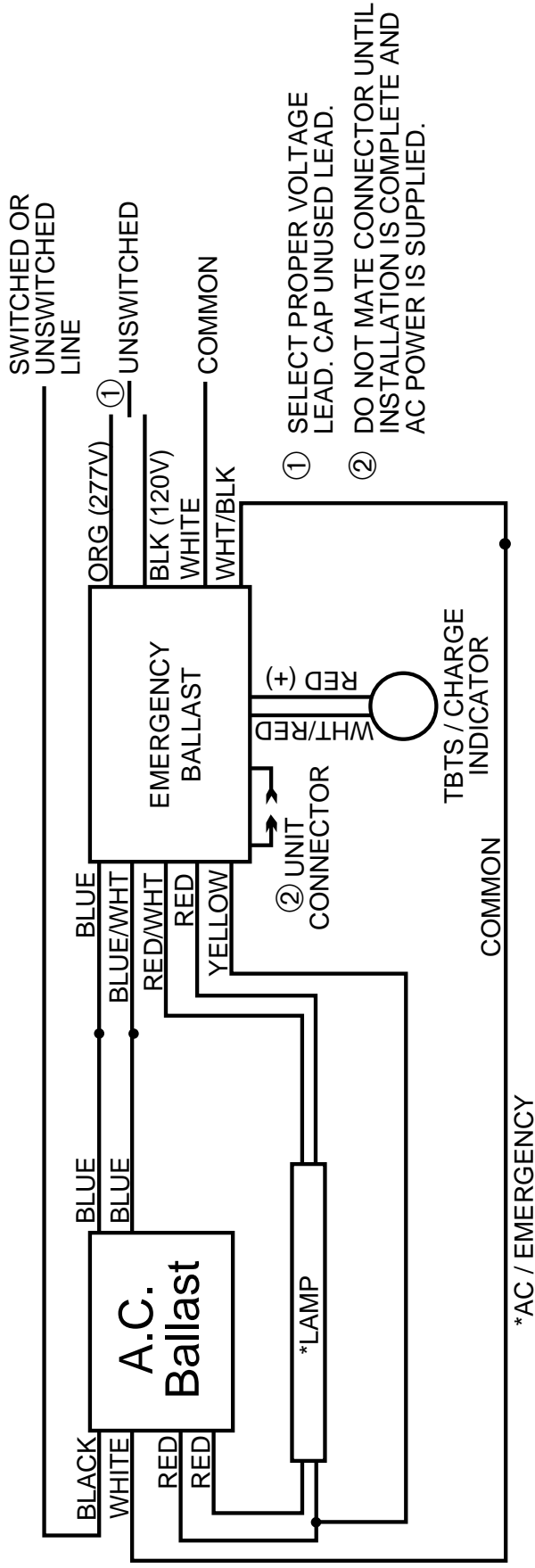
ONE LAMP CIRCLINE RAPID START BALLAST



*AC / EMERGENCY

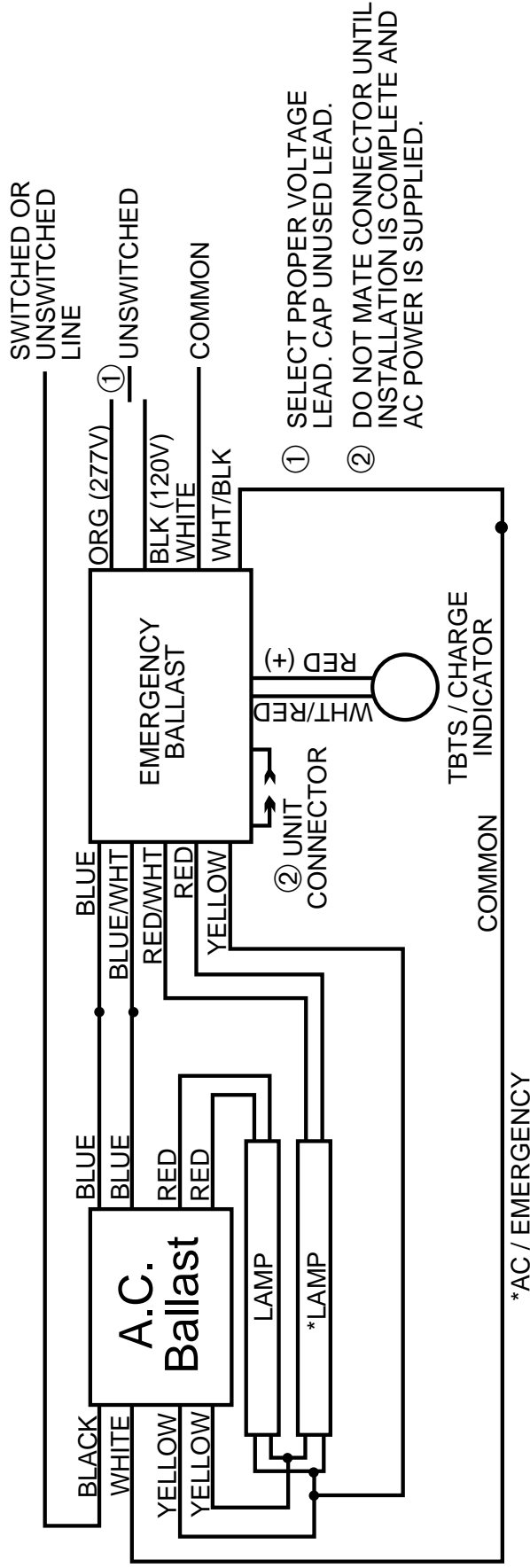


ONE LAMP RAPID START BALLAST



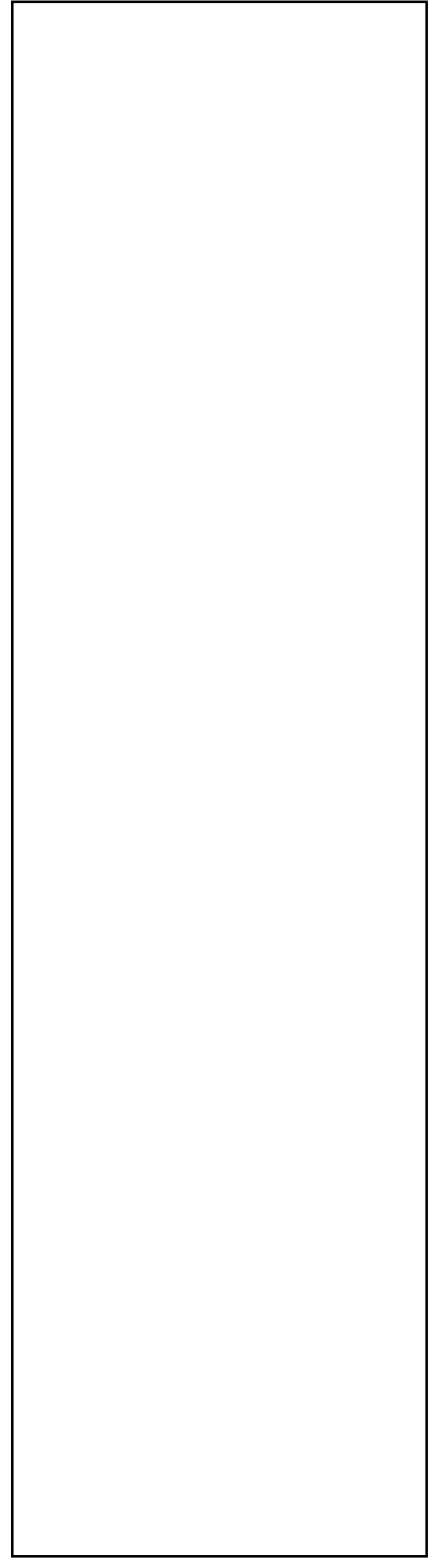
2LR5B

TWO LAMP RAPID START BALLAST

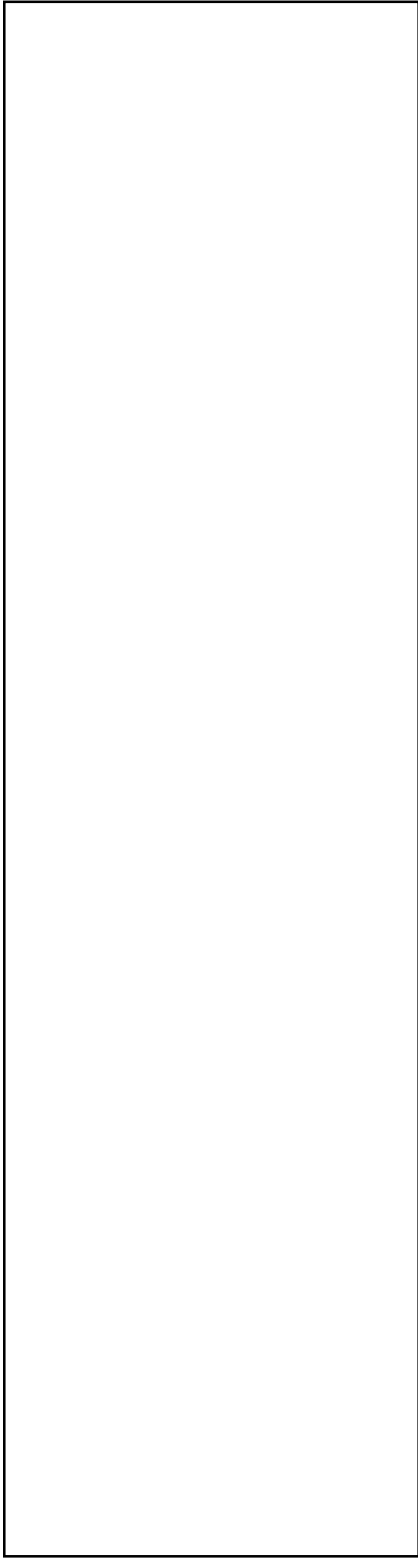
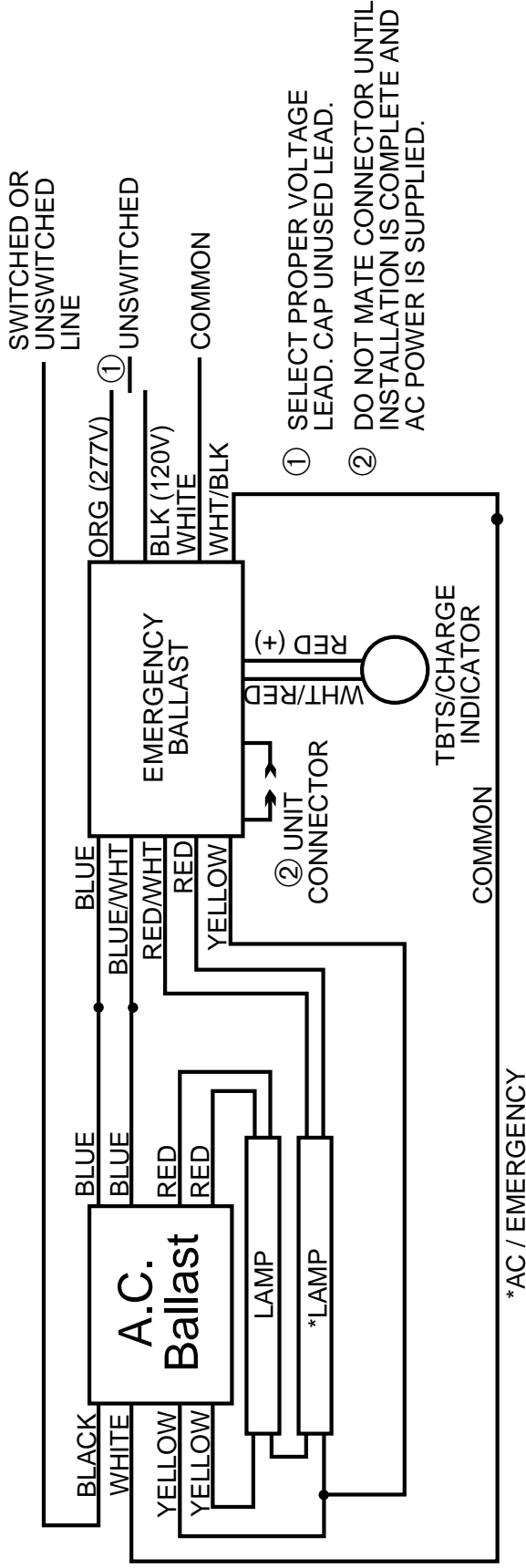


- ① SELECT PROPER VOLTAGE LEAD. CAP UNUSED LEAD.
- ② DO NOT MATE CONNECTOR UNTIL INSTALLATION IS COMPLETE AND AC POWER IS SUPPLIED.

*AC / EMERGENCY

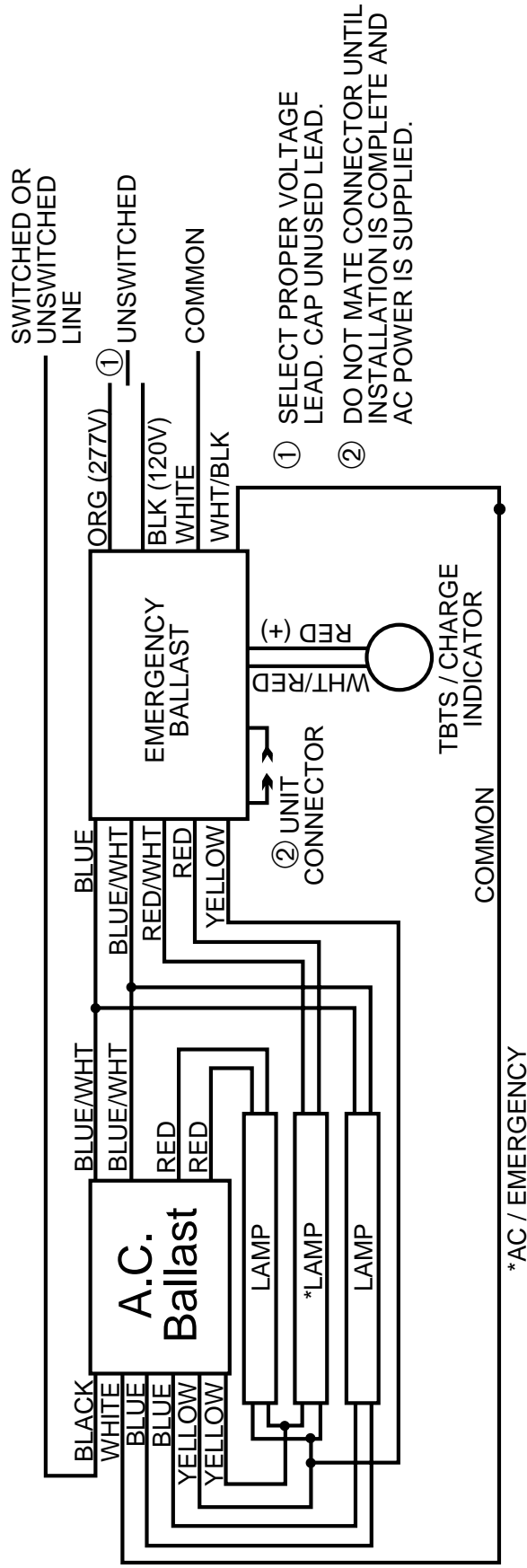


TWO LAMP RAPID START BALLAST



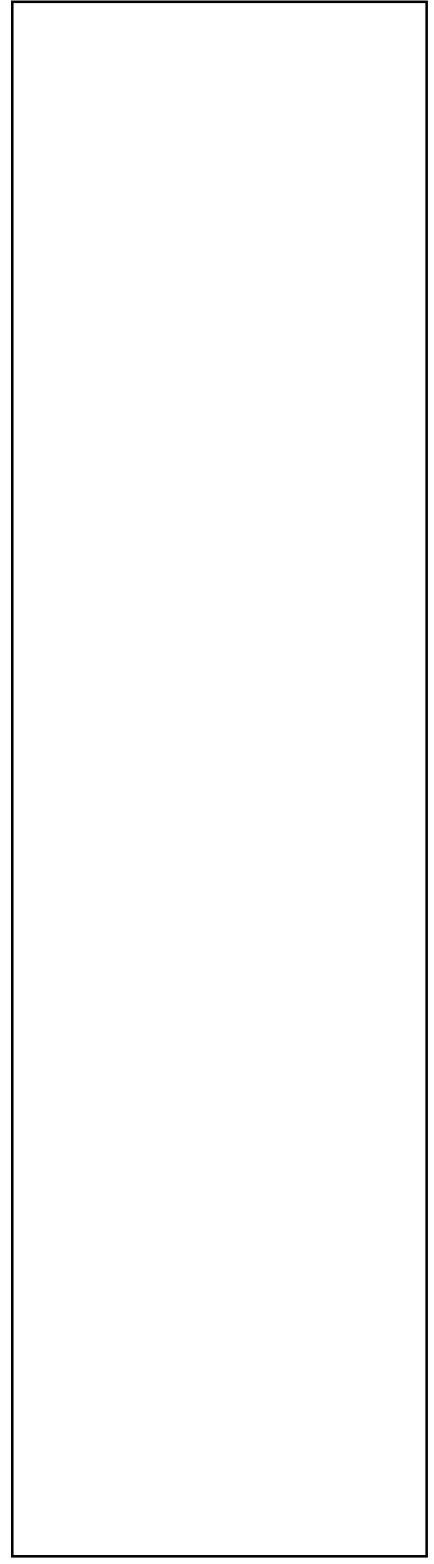
3LR5B_ISL

THREE LAMP RAPID START BALLAST

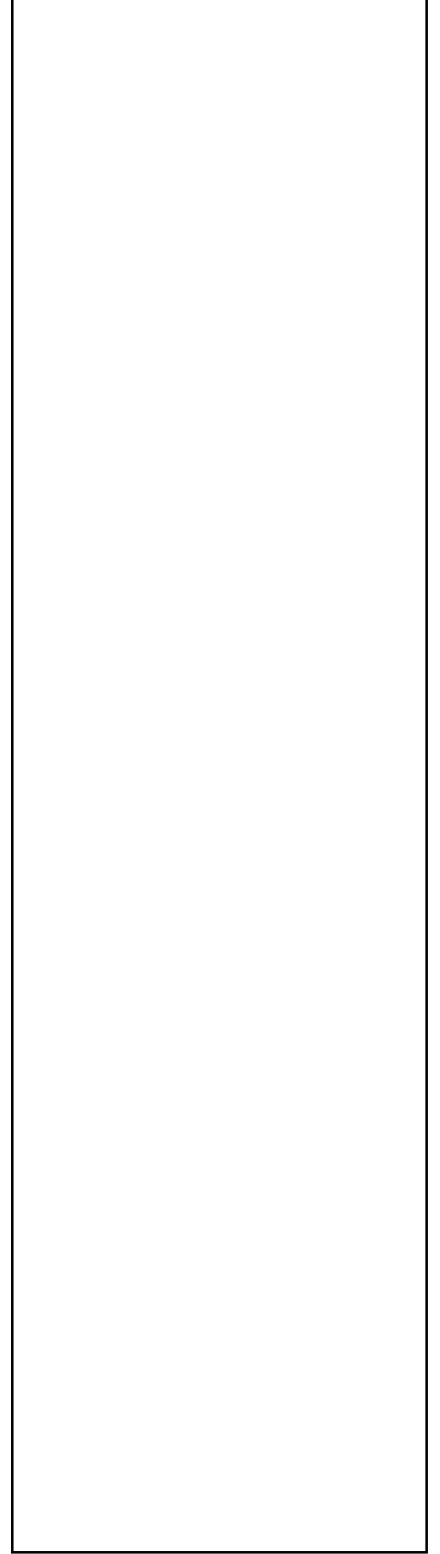
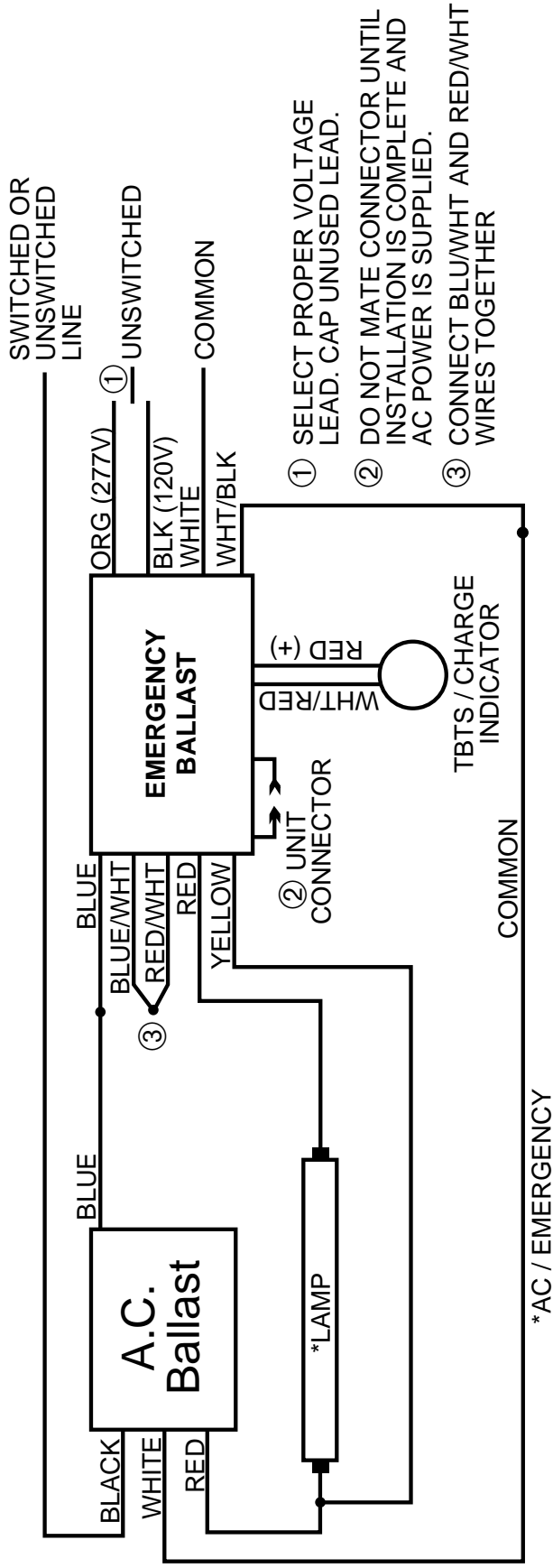


- ① SELECT PROPER VOLTAGE LEAD. CAP UNUSED LEAD.
- ② DO NOT MATE CONNECTOR UNTIL INSTALLATION IS COMPLETE AND AC POWER IS SUPPLIED.

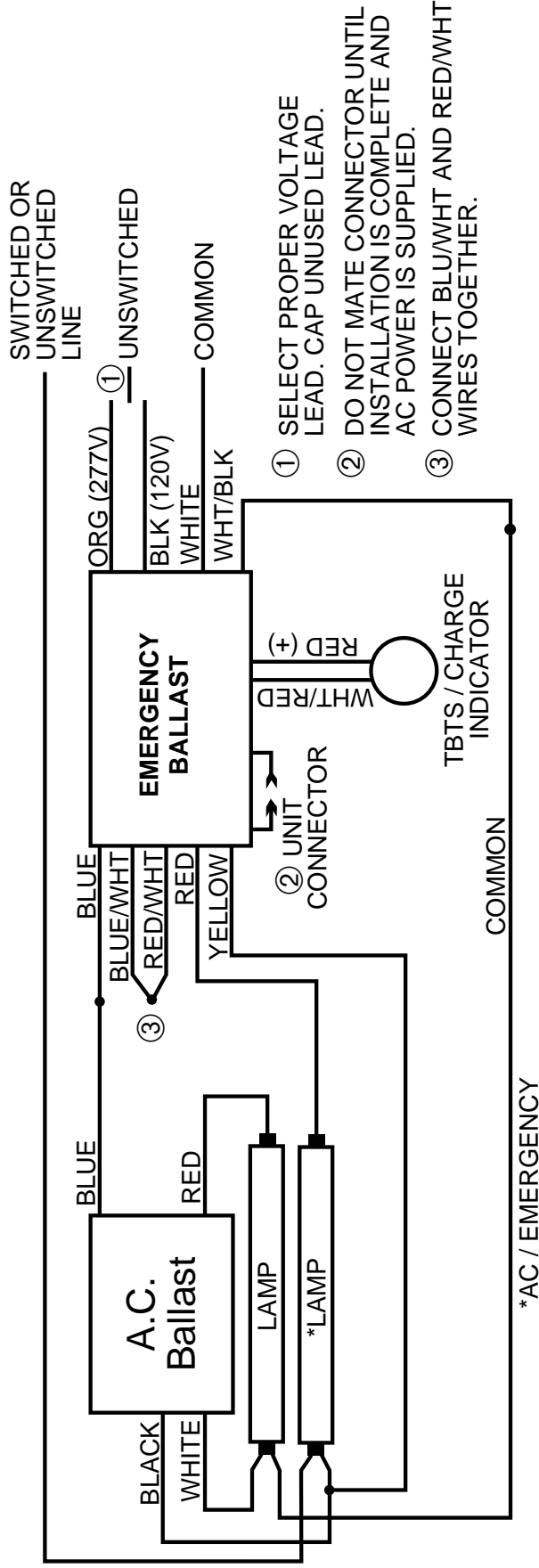
* AC / EMERGENCY



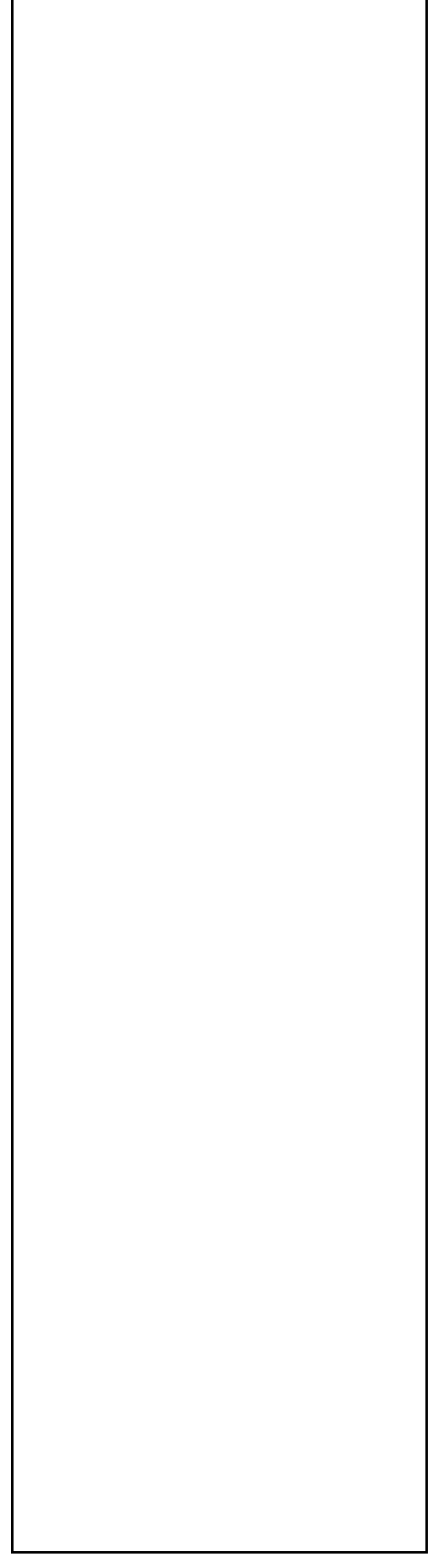
ONE LAMP INSTANT START BALLAST



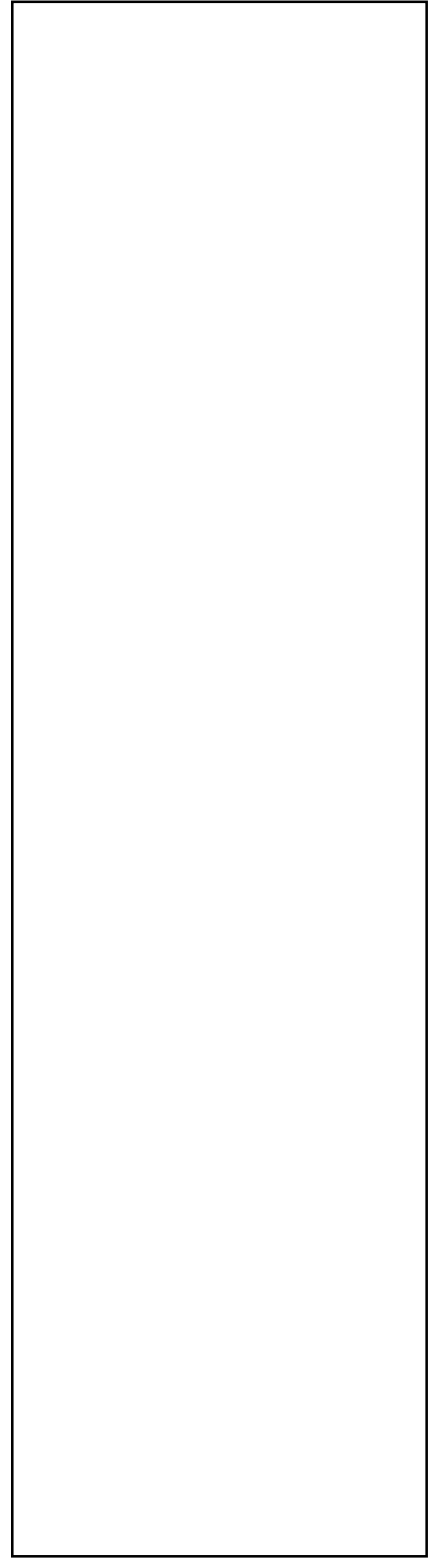
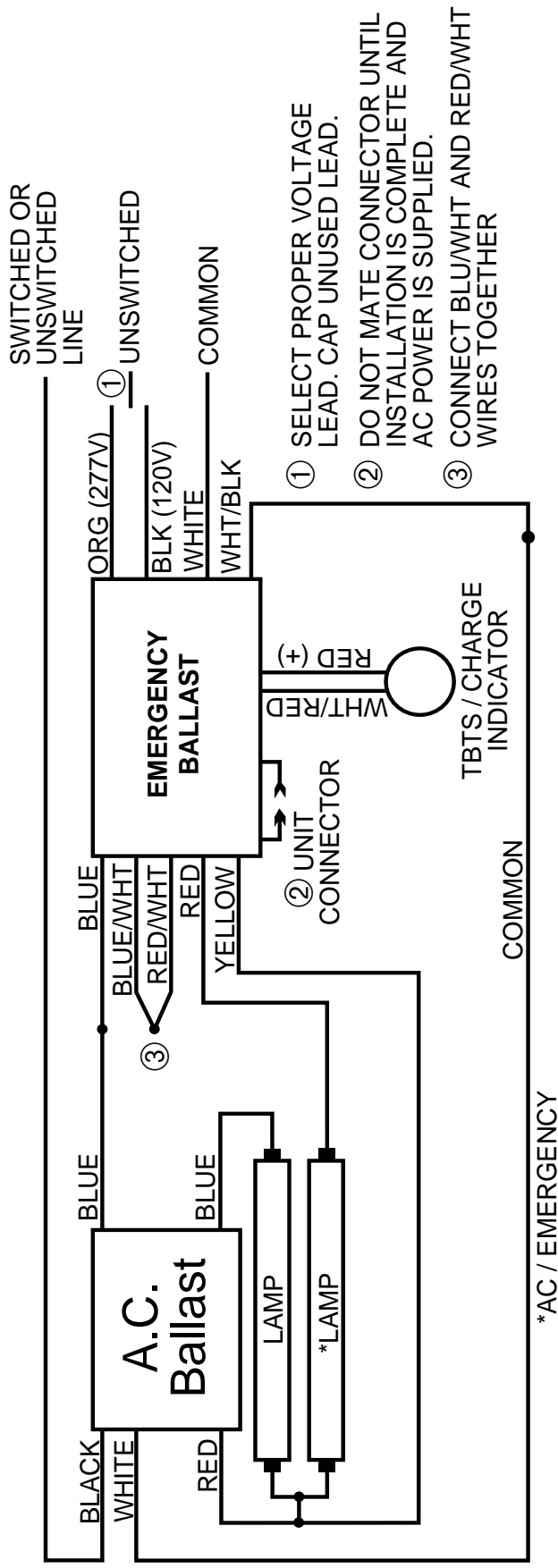
TWO LAMP INSTANT START BALLAST



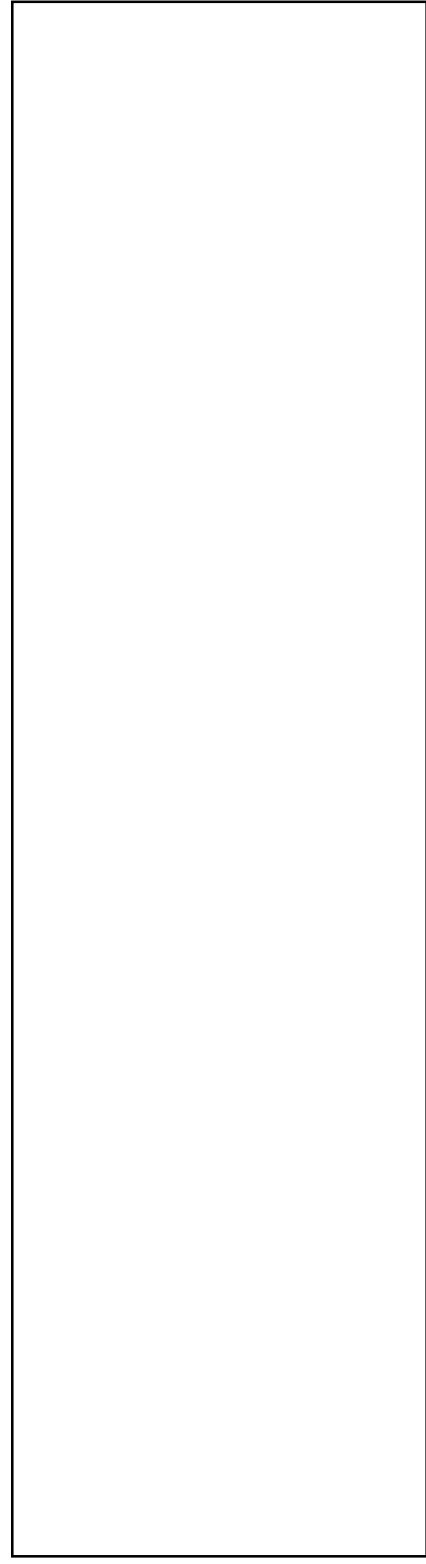
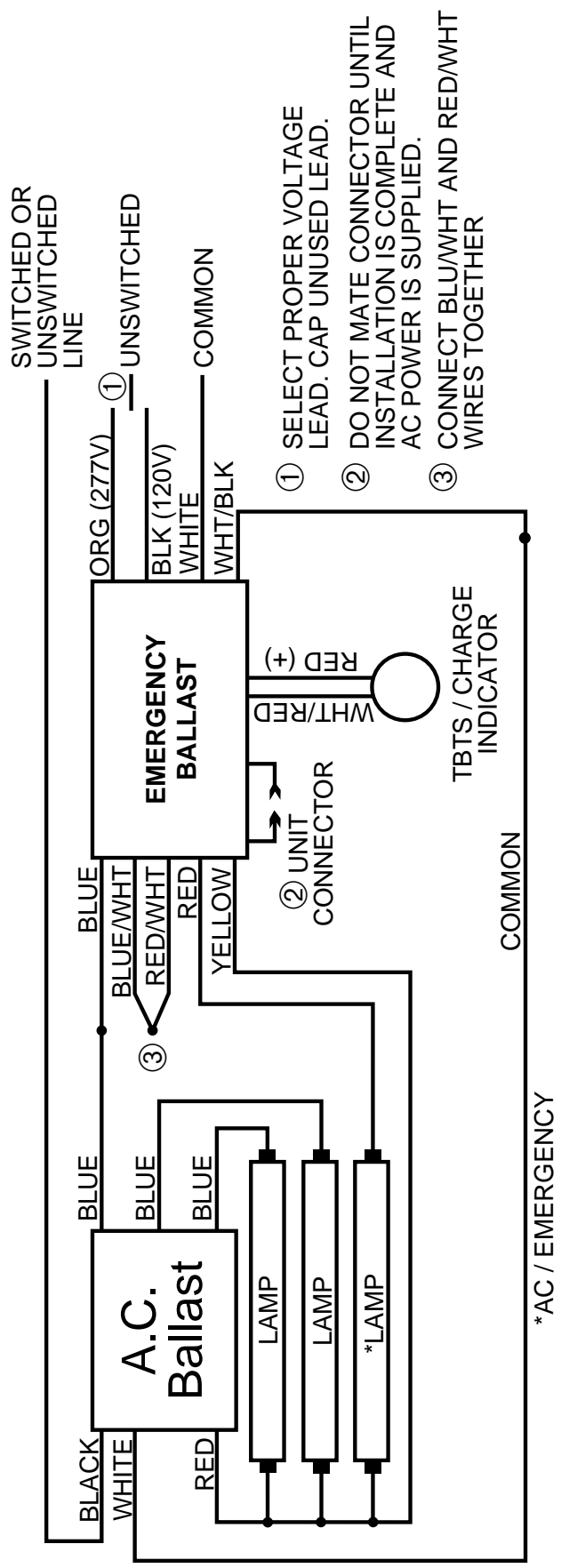
- ① SELECT PROPER VOLTAGE LEAD. CAP UNUSED LEAD.
- ② DO NOT MATE CONNECTOR UNTIL INSTALLATION IS COMPLETE AND AC POWER IS SUPPLIED.
- ③ CONNECT BLU/WHT AND RED/WHT WIRES TOGETHER.



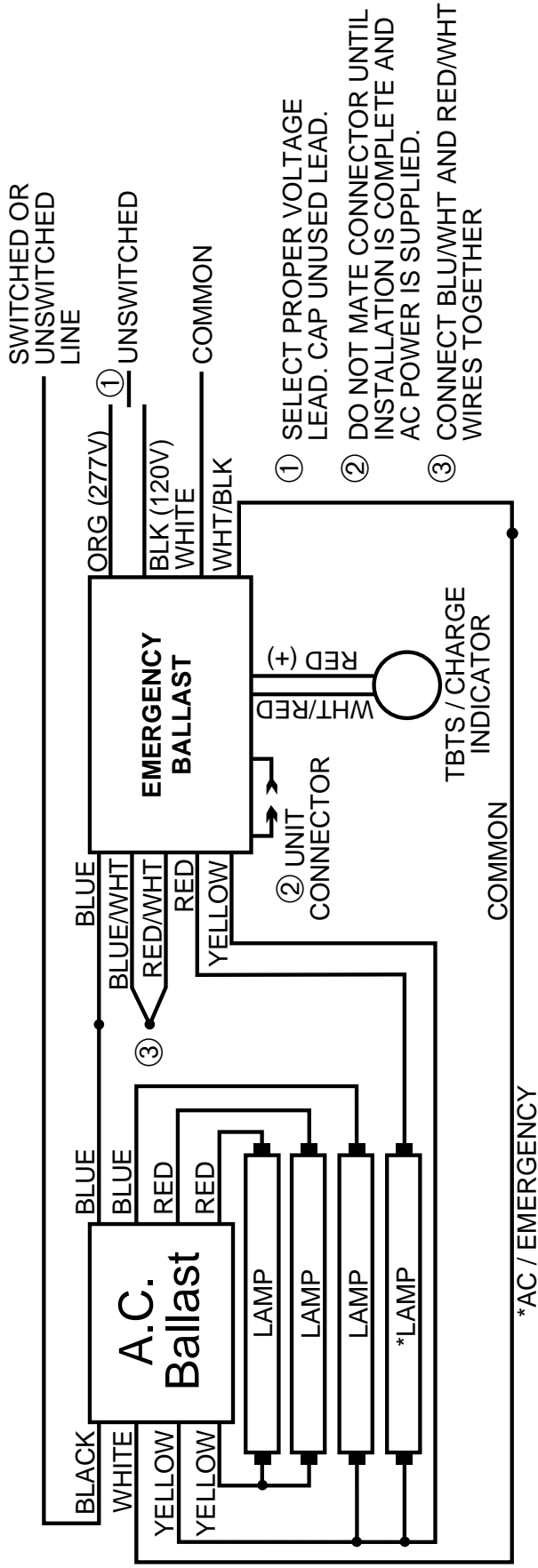
TWO LAMP INSTANT START BALLAST



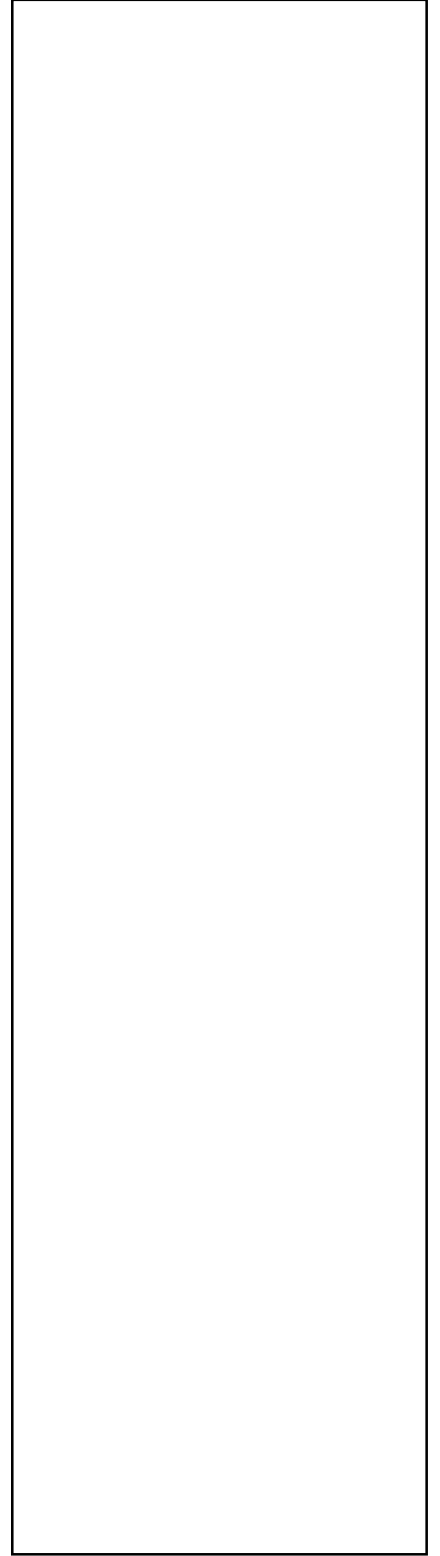
THREE LAMP INSTANT START BALLAST



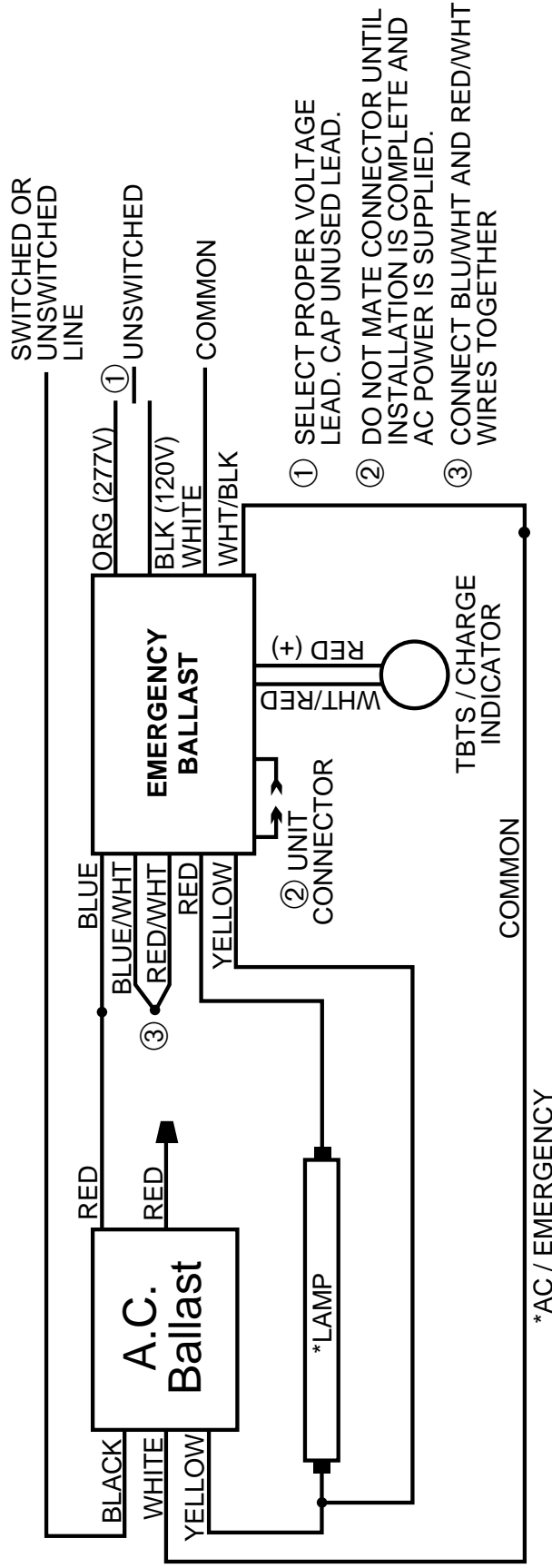
FOUR LAMP INSTANT START BALLAST



- ① SELECT PROPER VOLTAGE LEAD. CAP UNUSED LEAD.
- ② DO NOT MATE CONNECTOR UNTIL INSTALLATION IS COMPLETE AND AC POWER IS SUPPLIED.
- ③ CONNECT BLU/WHT AND RED/WHT WIRES TOGETHER



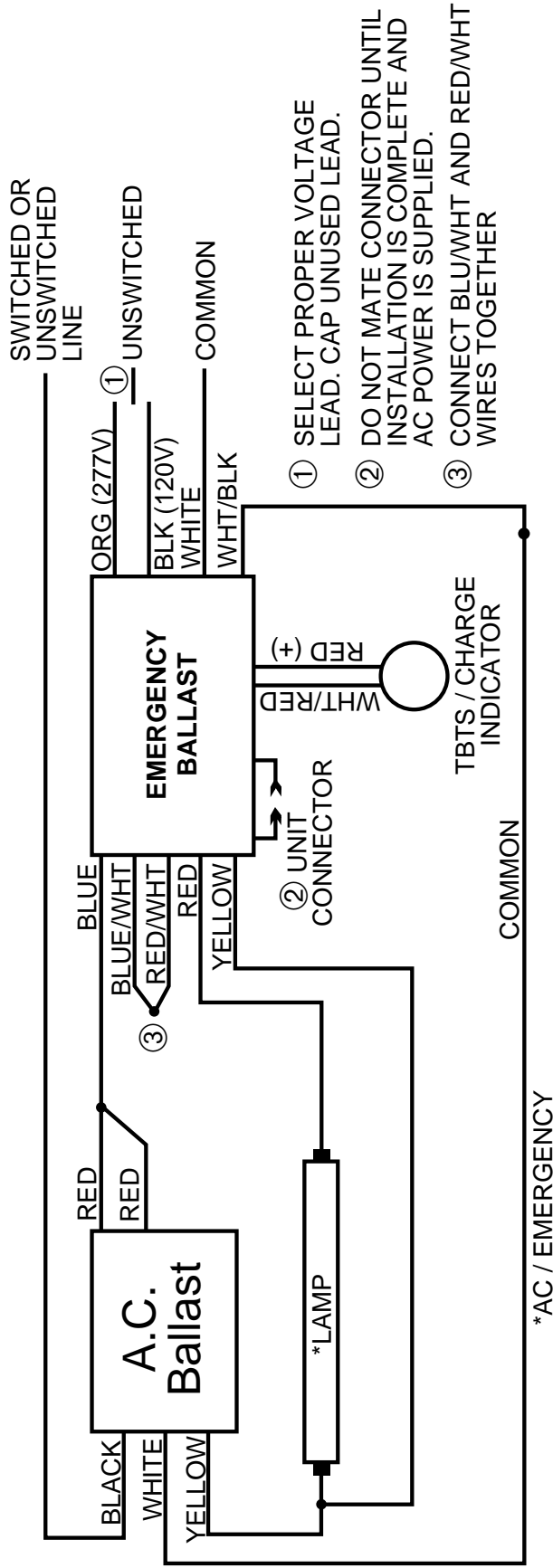
ONE LAMP INSTANT START BALLAST



FULLHAM
WORKHORSE 2

1LISFB_ISL

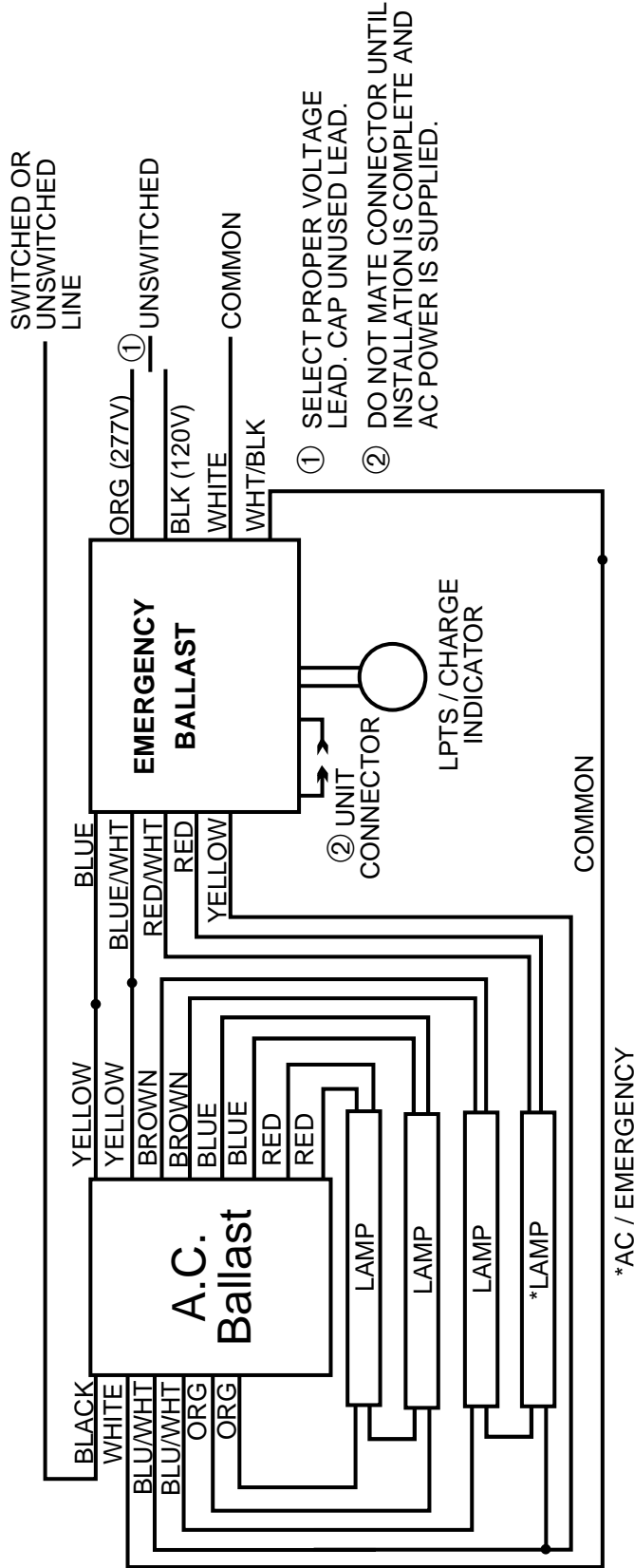
ONE LAMP INSTANT START FULLHAM BALLAST



FULLHAM
WORKHORSE II

4LR5B_ISL

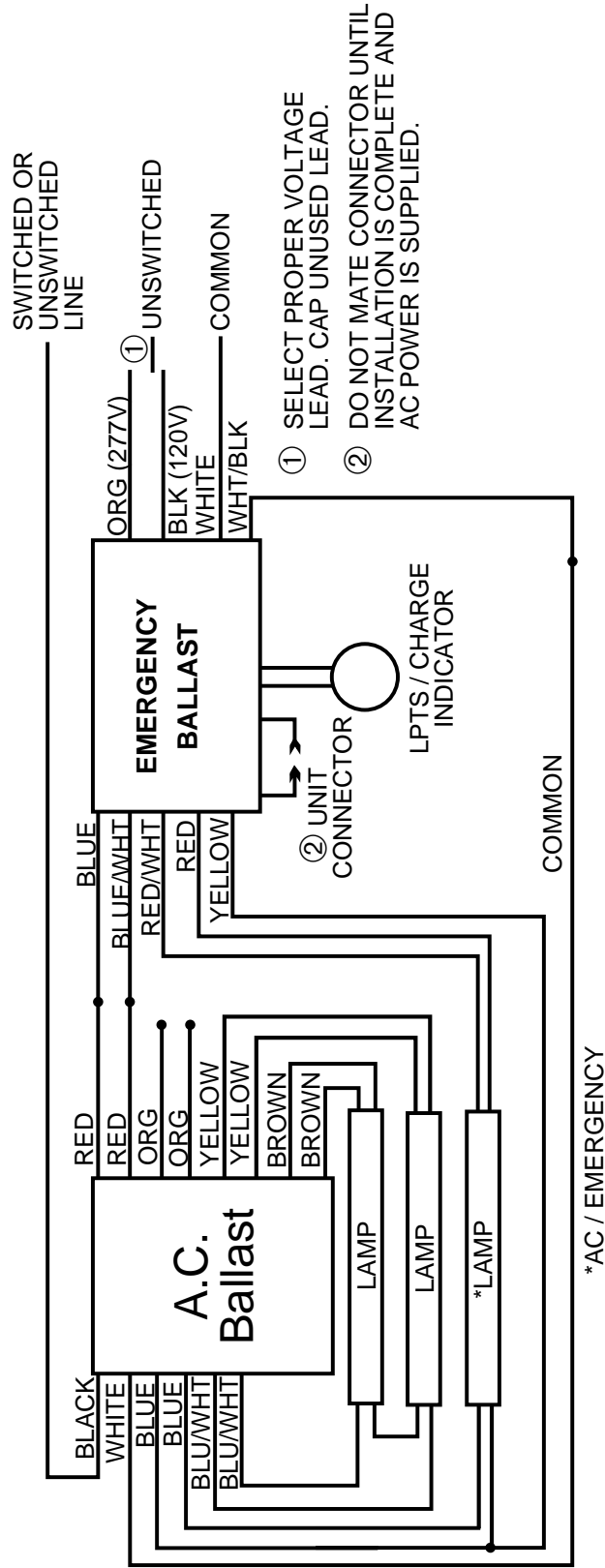
FOUR LAMP RAPID START BALLAST



CENTIUM
ICN 4S54 90C-2LS

ALL COMPATIBLE BALLASTS MAY NOT BE LISTED.
*DIMMING CONTROL WIRES ARE NOT AFFECTED BY EM PACK

THREE LAMP RAPID START BALLAST



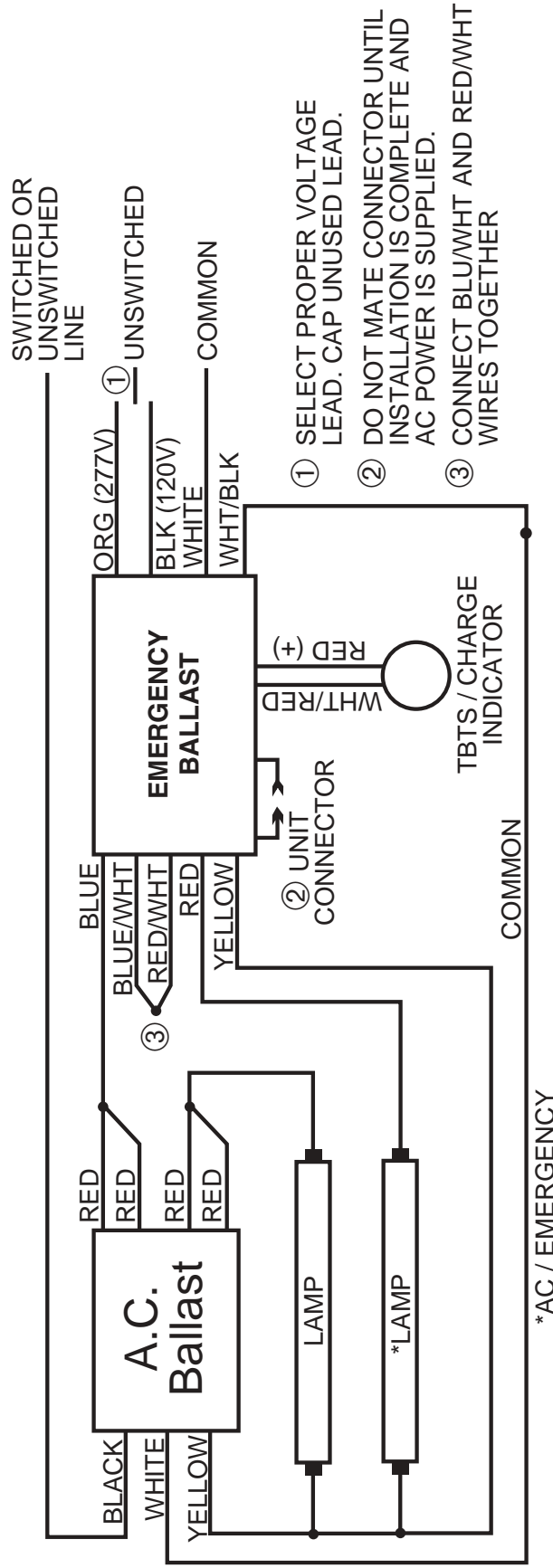
ADVANCE

ICN-4554-90C-2LS

ALL COMPATIBLE BALLASTS MAY NOT BE LISTED.
*DIMMING CONTROL WIRES ARE NOT AFFECTED BY EM PACK

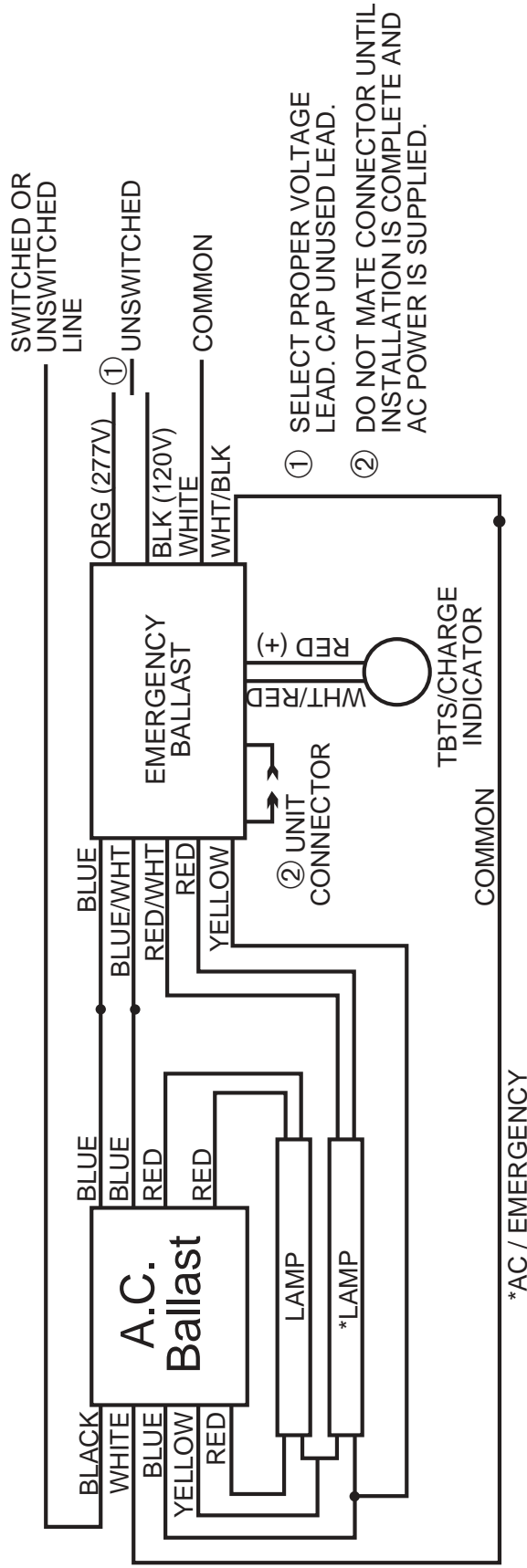
2LISFB_ISL

TWO LAMP INSTANT START FULLHAM BALLAST



FULLHAM
WORKHORSE 5

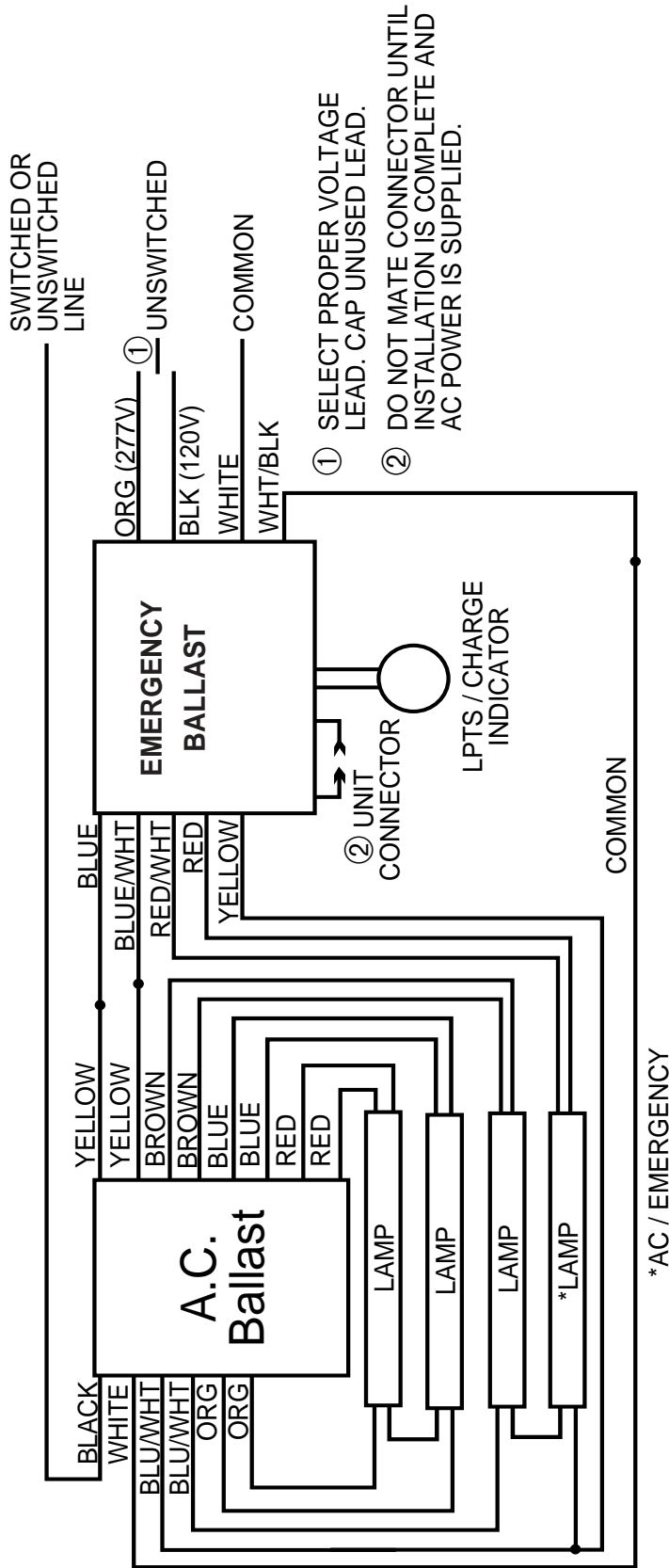
SUNPARK TWO LAMP RAPID START BALLAST



SUNPARK
SLI5P

4LR5B_ISL

FOUR LAMP RAPID START BALLAST



ADVANCE

RC-4S60-TP
RC-4S85-TP
VCN-4S32-SC

GE

G4-RL-T8-1LL-120/277
G4-RN-T8-10C-120/277
G4-RN-T8-1LL-120/277

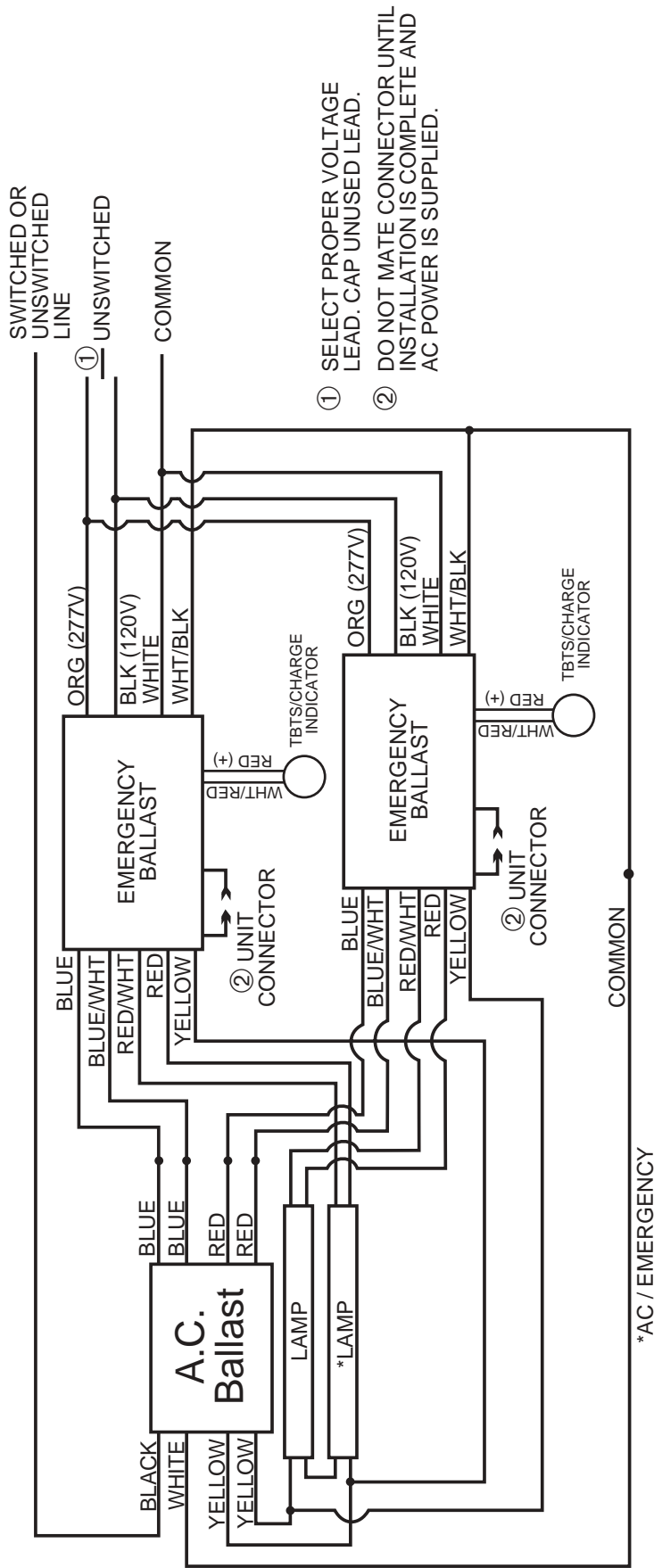
MOTOROLA

M4-RL-T8-1LL-A-120/277
M4-RL-T8-1LL-B-120/277
M4-RN-T8-1LL-A-120/277
M4-RN-T8-1LL-B-120/277

ALL COMPATIBLE BALLASTS MAY NOT BE LISTED.
*DIMMING CONTROL WIRES ARE NOT AFFECTED BY EM PACK

2LRSBDUAL_ISL

TWO LAMP RAPID START BALLAST

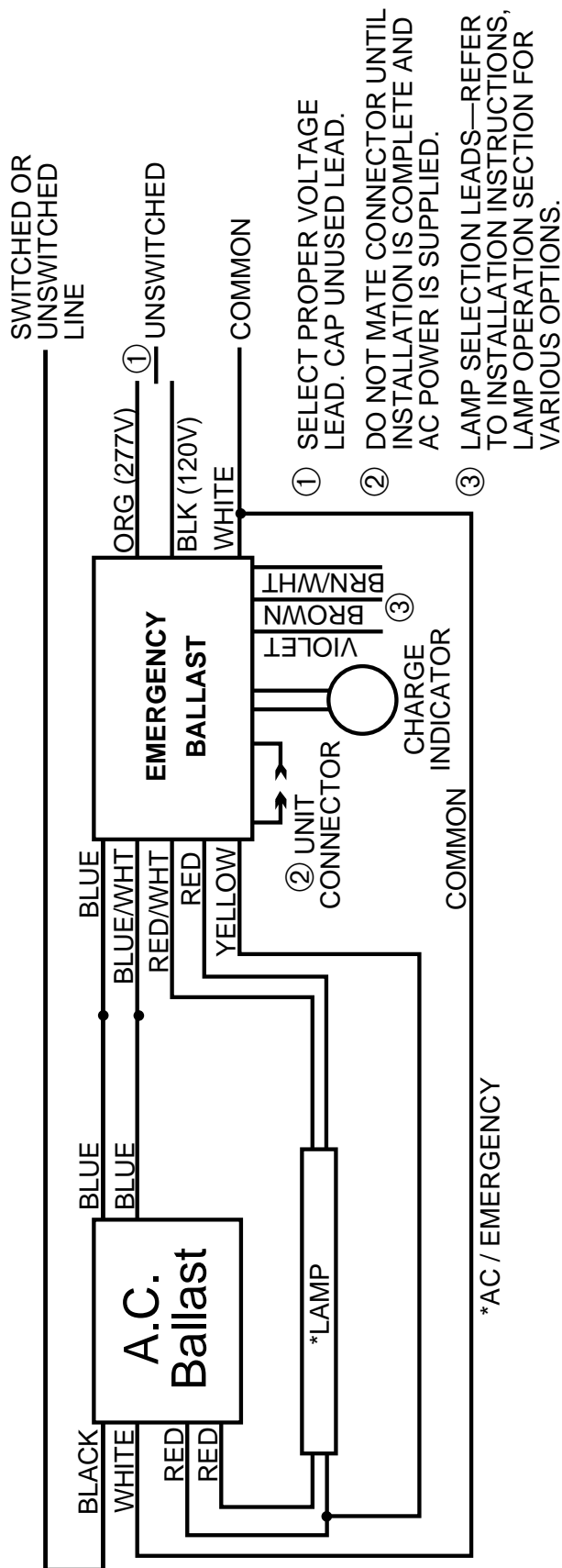


UNIVERSAL TRIAD

B254 PUV-D

ALL COMPATIBLE BALLASTS MAY NOT BE LISTED.
*DIMMING CONTROL WIRES ARE NOT AFFECTED BY EM PACK

ONE LAMP RAPID START BALLAST



ADVANCE

HM/VM-1P30-TP
 HM/VHM-1P20-TP
 LQ/VLQ-106F-TP
 R/V-1P817-TP
 R/V-1P825-TP
 R/V-1P32-TP
 R/V-1P840-TP
 R/V-140-TP
 R/V-1U40P-TP
 RC/VC-160-TP
 RC/VC-1P40-TP
 RCN/VCN-1S32
 RCN/VCN-1S40
 REL/VEL-1S40-RH-TP
 REZ-132
 RIC/VIC-132-TP
 RIC/VIC-140-TP
 RK/VK-132-TP
 RK/VK-134-TP
 RS/VS-110-TP
 RS/VS-160-TP
 RZT/VZT-132*

EBT

ECG-120/277-1/40 SR
 SSB1-120/277-1/40 LH

GE

G1-RL-T8-1LL-120/277
 G1-RN-T8-10C-120/277
 G1-RN-T8-1LL-120/277
 G1-RN-T12-1LL-120/277

KINGTEC

132K120/277

LUTRON

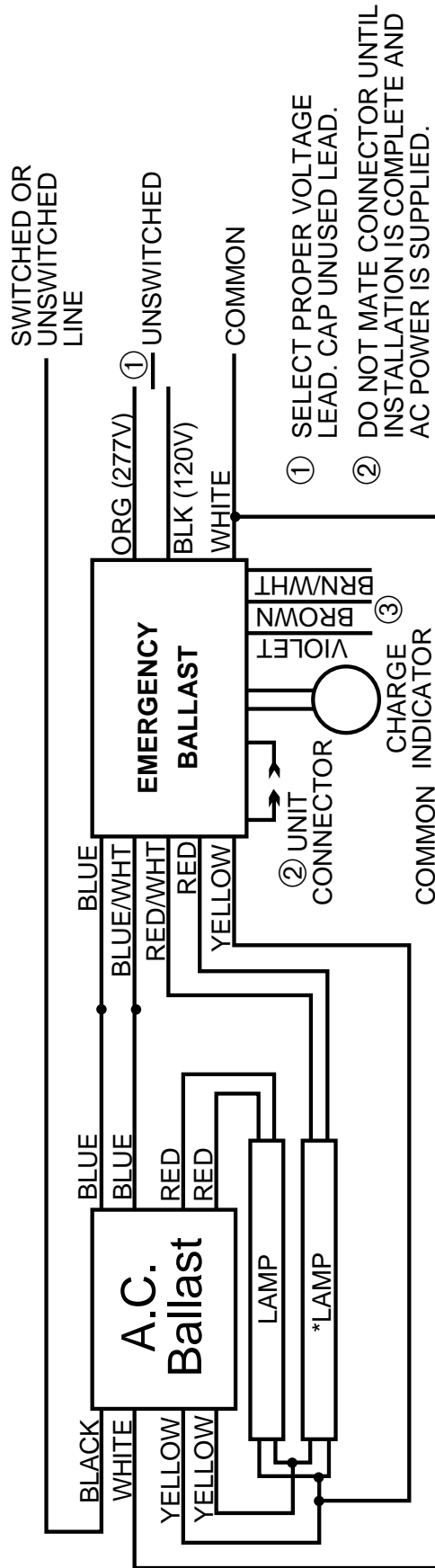
ECO-T832-120/277-1*
 FDB-4827-120/277-1*

MOTOROLA

M1-RL-T8-1LL-A-120/277
 M1-RL-T8-050-D-120
 M1-RN-T12-1LL-B-120/277
 M1-RN-T8-10C-B-120/277
 M1-RN-T8-1LL-D-120/277
 M1-RN-T8-HO-A-120/277
 M1-RV-T8-001-B-120

ALL COMPATIBLE BALLASTS MAY NOT BE LISTED.
 *DIMMING CONTROL WIRES ARE NOT AFFECTED BY EM PACK

TWO LAMP RAPID START BALLAST



- ① SELECT PROPER VOLTAGE LEAD. CAP UNUSED LEAD.
- ② DO NOT MATE CONNECTOR UNTIL INSTALLATION IS COMPLETE AND AC POWER IS SUPPLIED.
- ③ LAMP SELECTION LEADS—REFER TO INSTALLATION INSTRUCTIONS, LAMP OPERATION SECTION FOR VARIOUS OPTIONS.

ADVANCE

HM/VM-2SP20-TP
 R/V-2P817-TP
 R/V-2P825-TP
 R/V-2P832-TP
 R/V-2P840-TP
 R/V-2S40-TP
 R/V-2SP30-TP
 R/V-2S110-TP
 RC/VC-2SP40-TP
 RC/VC-2S85-TP/FO/RO
 RC/VC-2S110-FO/RO
 RC-2SP830-TP
 RCN/VCN-2S32
 RCN/VCN-2S40
 REL/VEL-2S40-RH-TP
 REL/VEL-2S110-RH-TP
 REL/VEL-2TTS39-RH-TP
 REL/VEL-2TTS40-RH-TP
 REL/VEL-2TTS50-RH-TP
 RL-2SP20-TP
 RM-2S35-TP
 RM/VM-2SP30-TP
 RIC/VIC-2S32
 RIC/VIC-2S40
 REZ/VEZ-2S32

EBT

ECG-120/277-2/32 SR
 ECG-120/277-2/40 SR
 SSB1-120/277-2/32 LH
 SSB1-120/277-2/40 LH /-(75%)/-(MPX)
 SSB7-120/277-2/32 LH

GE

G2-RH-T8-1LL-120/277
 G2-RL-T8-1LL-120/277
 G2-RN-T8-10C-120/277
 G2-RN-T8-1LL-120/277
 G2-RN-T12-1LL-120/277

GOLDSTAR

GB 2x32/FL/R/VHP

KINGTEC

232K120/277
 232K120-75%
 232K2120
 240K120/277

LUTRON

ECO-T832-120/277-2*
 FDB-4827-120/277-2*

MAGNETEK

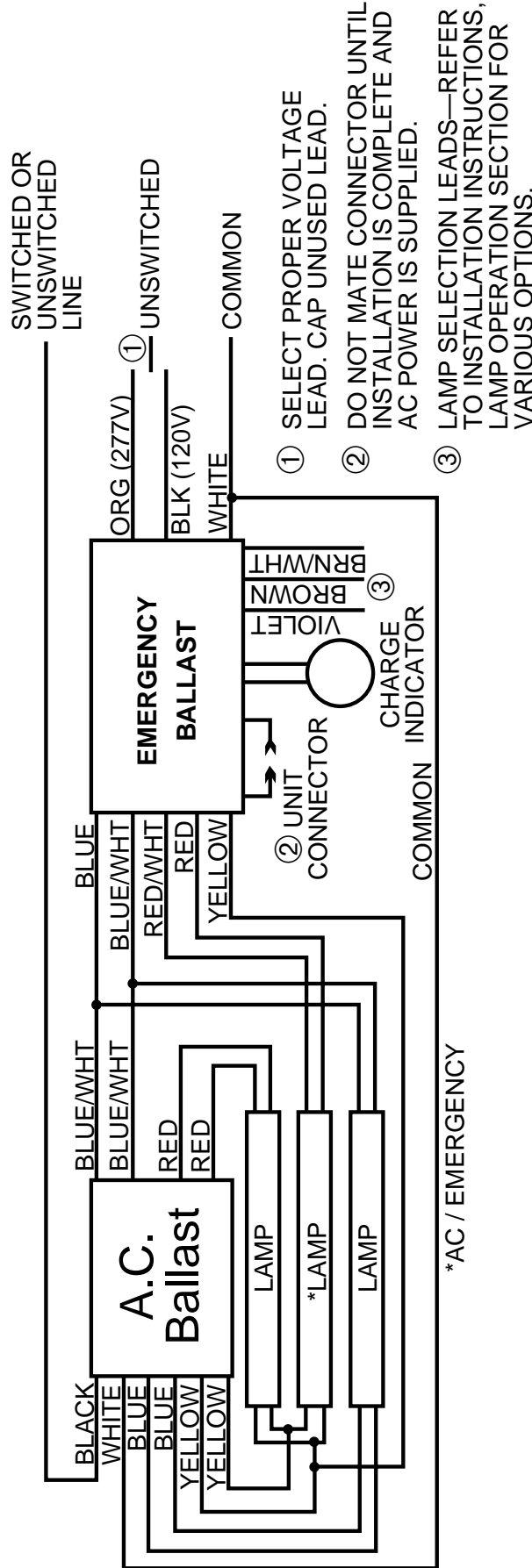
B232 R277 HP

MOTOROLA

M2-RH-T8-1LL-B-120/277
 M2-RL-T8-1LL-A-120/277
 M2-RN-T12-1LL-B-120/277
 M2-RN-T8-10C-B-120/277
 M2-RN-T8-1LL-D-120/277

ALL COMPATIBLE BALLASTS MAY NOT BE LISTED.
 *DIMMING CONTROL WIRES ARE NOT AFFECTED BY EM PACK

THREE LAMP RAPID START BALLAST



ADVANCE

- R/V-3S34-TP
- RCN/VCN-3S32
- RCN/VCN-3S40
- REL/VEL-3S40-RH-TP
- RIC/VIC-3S32-TP
- RIC/VIC-3S40-TP
- RK/VK-3S34-TP
- RL-3SP20-TP
- RZT/VZT-3S32*
- REZ/VEZ-3S32*

EBT

- SSB1-120/277-3/32 LH
- SSB1-120/277-3/40 LH

GE

- G3-RL-T8-1LL-120/277
- G3-RN-T8-10C-120/277
- G3-RN-T8-1LL-120/277
- G3-RN-T12-1LL-120/277

LUTRON

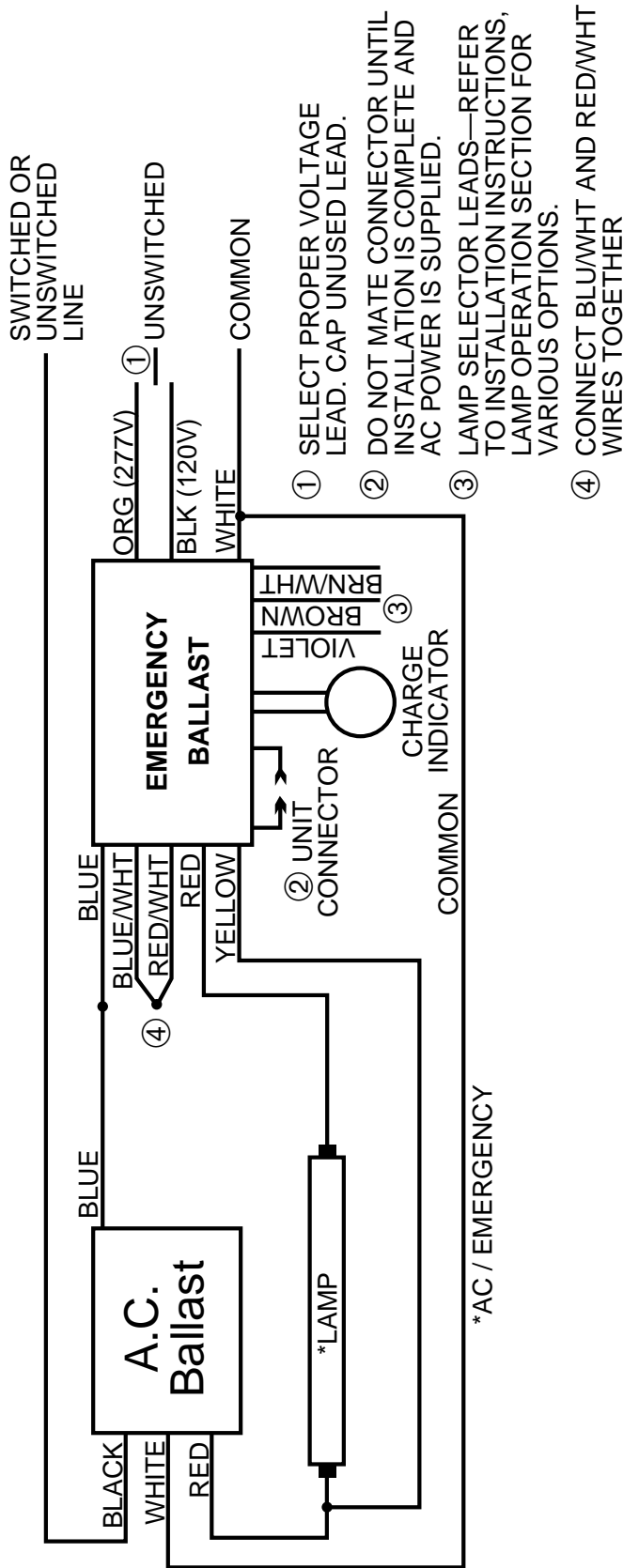
- ECO-T832-120/277-3*
- FDB-4827-120/277-3*

MOTOROLA

- M3-RL-T8-1LL-A-120/277
- M3-RN-T12-1LL-B-120/277
- M3-RN-T8-1LL-A-120/277

ALL COMPATIBLE BALLASTS MAY NOT BE LISTED.
*DIMMING CONTROL WIRES ARE NOT AFFECTED BY EM PACK

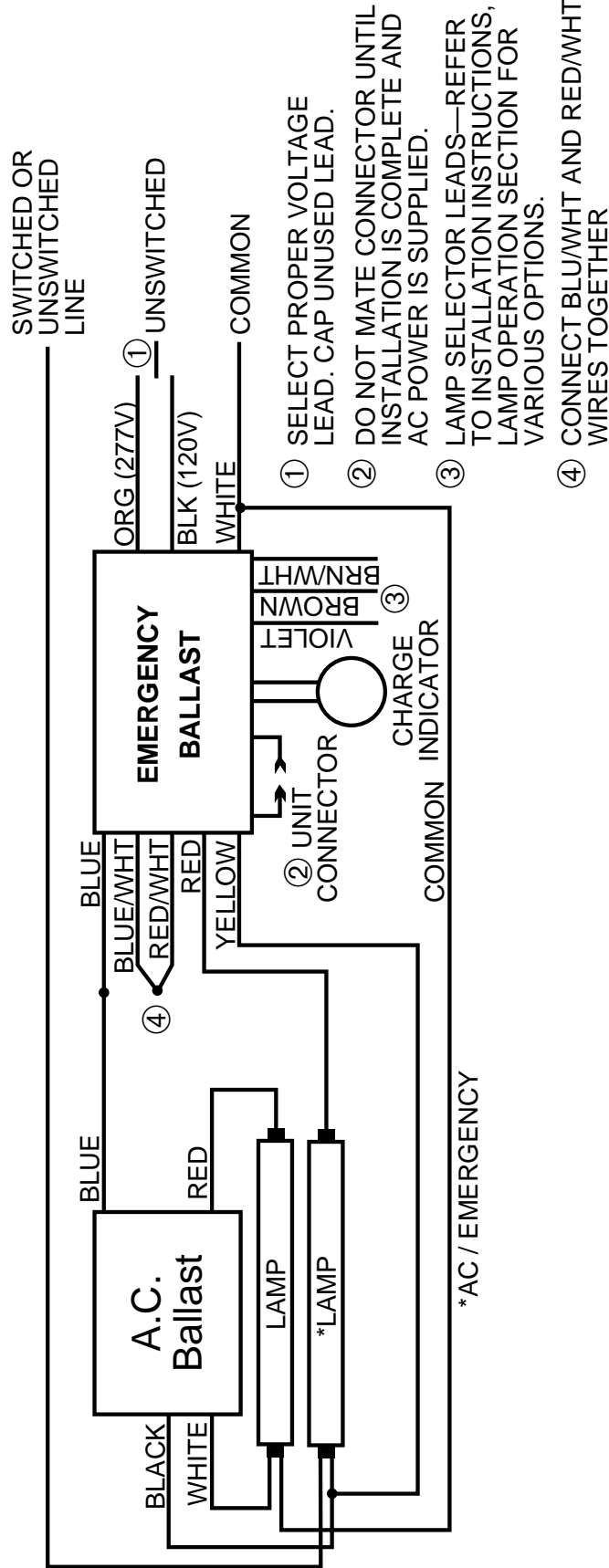
ONE LAMP INSTANT START BALLAST



ADVANCE
RCN/VCN-1P32
REL/VEL-1P32-RH-TP
REL/VEL-1P32-SC
EBT
ECG-120/277-1/32 PI
SSB2-120/277-1/32 IS LH
GE
G1-IN-T8-120/277
GOLDSTAR
GB 1x32/FL/I/120-277
GB 1x32/FL/I/120L-277L
HOWARD
ECL1/32IS-120/277
EL1/32IS-120/277
E1/32IS-120/277
EC1/32IS-120/277
MAGNETEK
B1321120/277HP
B1321120/277RH
MOTOROLA
M1-IN-T8-1LL-D-120/277
M1-IN-T8-D-120/277
M1-IN-T8-GP-D-120/277

ALL COMPATIBLE BALLASTS MAY NOT BE LISTED.
*DIMMING CONTROL WIRES ARE NOT AFFECTED BY EM PACK

TWO LAMP INSTANT START BALLAST

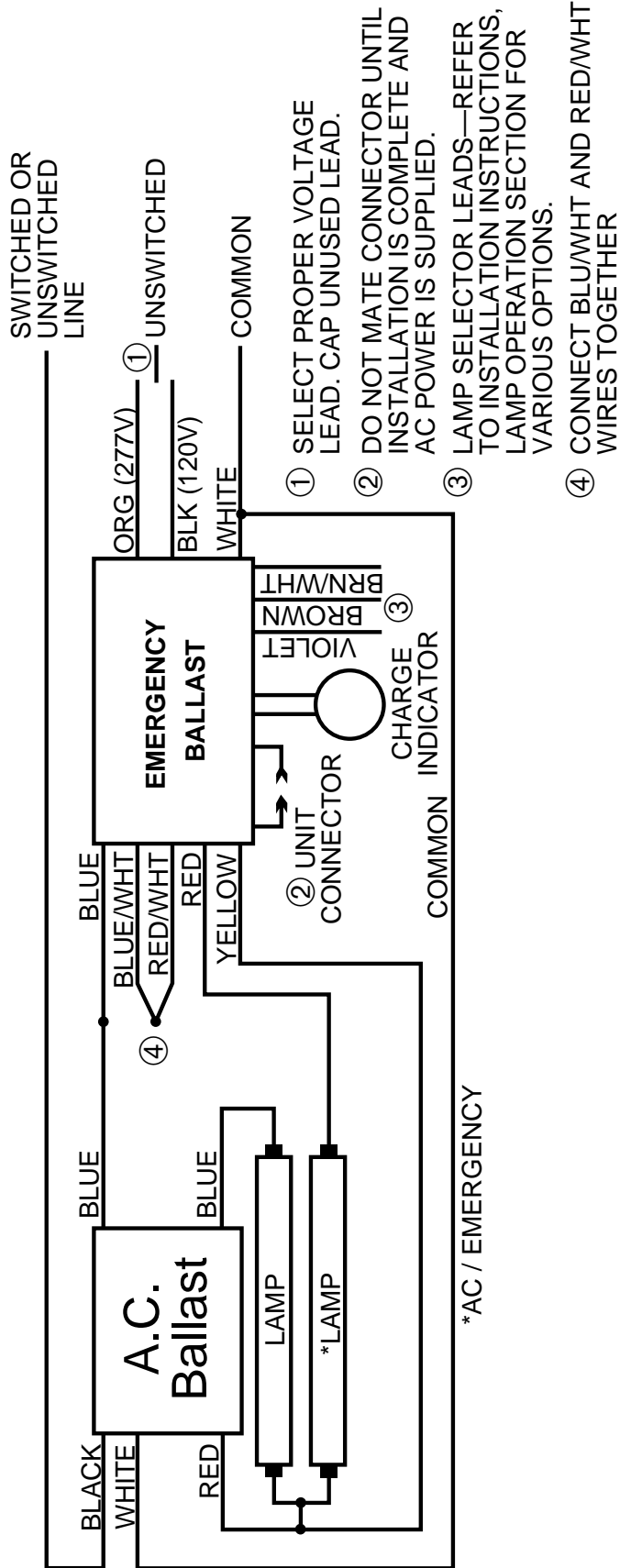


ADVANCE

R-2E75-S-TP

ALL COMPATIBLE BALLASTS MAY NOT BE LISTED.
*DIMMING CONTROL WIRES ARE NOT AFFECTED BY EM PACK

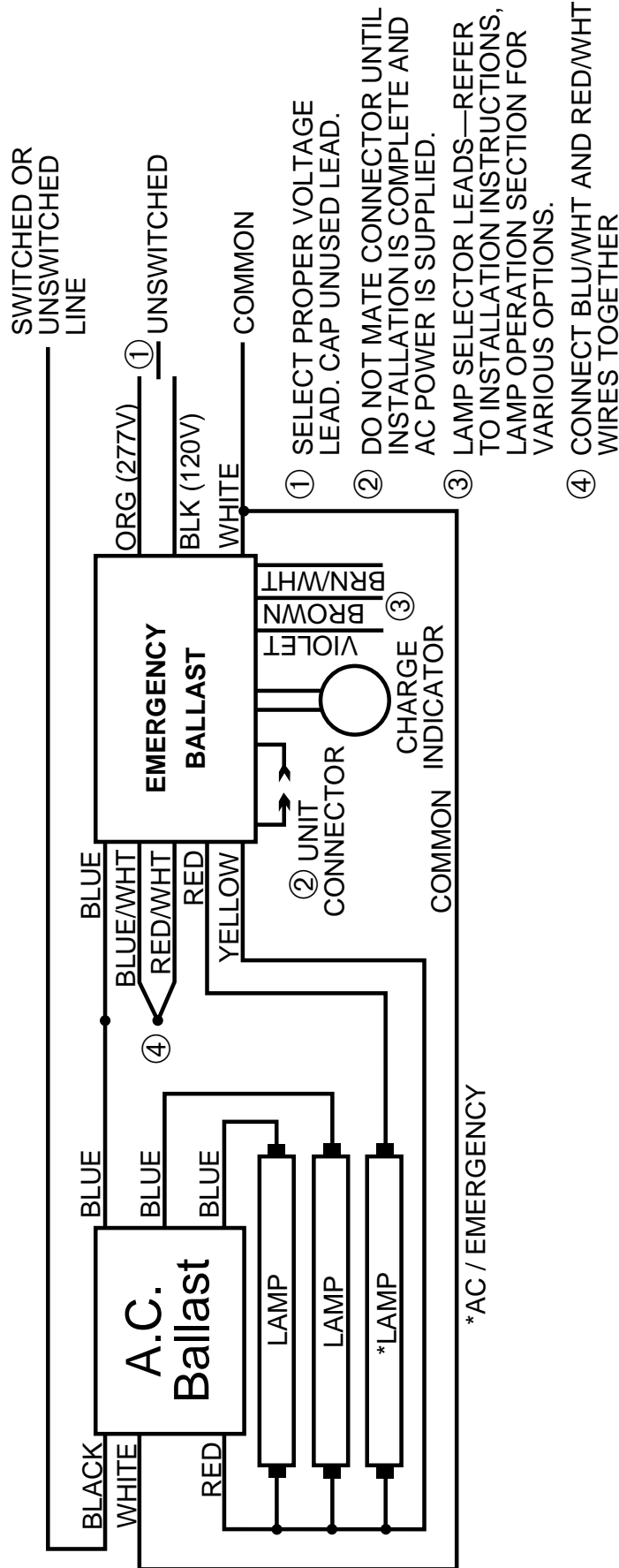
TWO LAMP INSTANT START BALLAST



ADVANCE
RCN/VCN-2P32
REL-2P60-S-RH-TP
REL/VEL-2P17-RH-TP
REL/VEL-2P32-LW-RH-TP
REL/VEL-2P32-RH-TP
REL/VEL-2P32-SC
REL/VEL-2P59-S-RH-TP
REL/VEL-2S86-RH-TP
VEL-2P75-S-RH-TP
EBT
ECG-120/277-2/32 PI
SSB2-120/277-2/17 IS LH
SSB2-120/277-2/32 IS LH
SSB2-120/277-2/32 IS MPX LH
SSB2-120/277-2/59 IS LH
SSB2-120/277-2/96 IS LH /-(MEX)
GE
G2-1L-T8-8FT-120/277
G2-IN-T8-120/277
GOLDSTAR
GB 2x32/FL/I/120-277
GB 2x32/FL/I/120L-277L
GB 2X32/FL/I/120HBF-277HBF
HOWARD
E2/32IS-120/277
EC2/32IS-120/277
KINGTEC
232K120-IS/277-IS
296K120-T12/277-T12
296K120-T8/277-T8
MAGNETEK
B232I120/277HP
B232I120/277RH
MOTOROLA
M2-IL-T8-GP-D-120/277
M2-IN-T8-D-120/277
M2-IN-T8-1LL-D-120/277
M2-IN-T8-8FT-A-120/277
M2-IN-T8-8GP-A-120/277
M2-IN-T8-GP-D-120/277

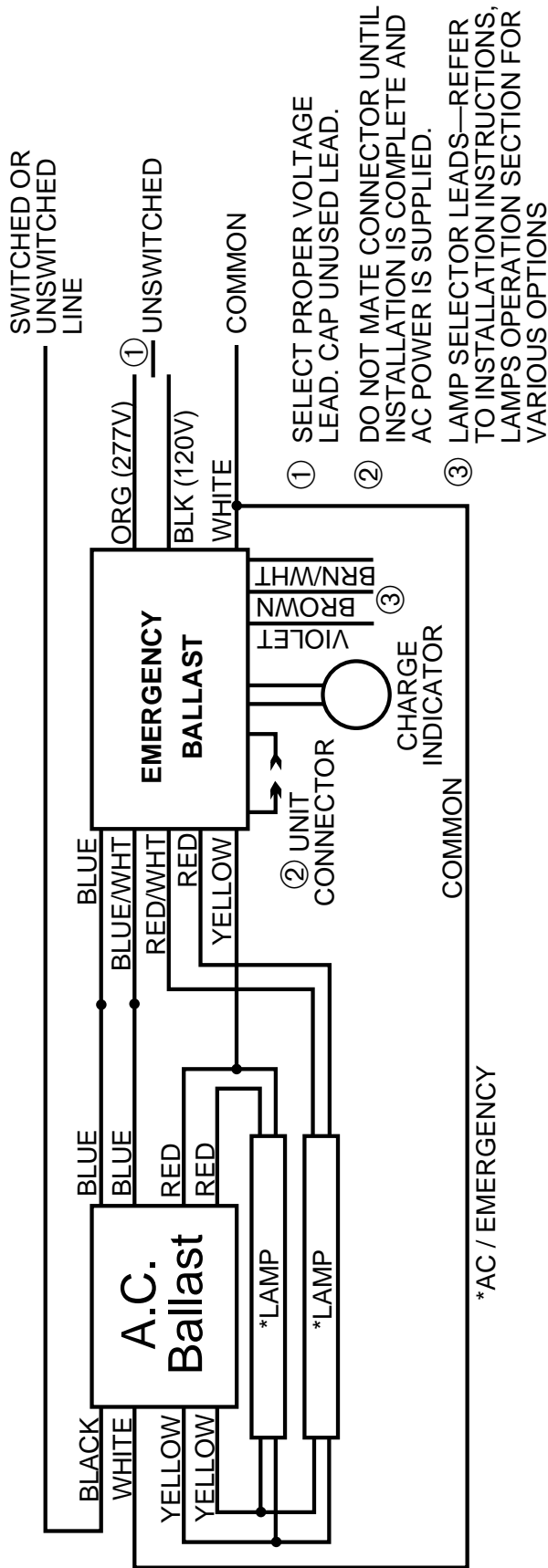
ALL COMPATIBLE BALLASTS MAY NOT BE LISTED.
*DIMMING CONTROL WIRES ARE NOT AFFECTED BY EM PACK

THREE LAMP INSTANT START BALLAST



ADVANCE
RCN/VCN-3P32 REL/VEL-3P32-RH-TP REL/VEL-3P32-LW-RH-TP
EBT
SSB2-120/277-3/32 IS LH
GE
G3-IN-T8-120/277
GOLDSTAR
GB 3x32/FL/I/120-277 GB 3X32/FL/I/120L-277L
HOWARD
E3/32IS-120/277 EC3/32IS-120/277 ECL3/32IS-120/277 EL3/32IS-120/277
MAGNETEK
B332I120/277RH B332I120/277HP
MOTOROLA
M3-IL-T8-GP-A-120/277 M3-IN-T8-A-120/277 M3-IN-T8-D-120/277 M3-IN-T8-GP-A-120/277
ALL COMPATIBLE BALLASTS MAY NOT BE LISTED. *DIMMING CONTROL WIRES ARE NOT AFFECTED BY EM PACK

TWO LAMP RAPID START BALLAST WITH TWO LAMP EMERGENCY OPERATION



ADVANCE

- HM/VM-2SP20-TP
- R/V-2P817-TP
- R/V-2P825-TP
- R/V-2P832-TP
- R/V-2P840-TP
- R/V-2S40-TP
- R/V-2SP30-TP
- R/V-2S110-TP
- RC/VC-2SP40-TP
- RC/VC-2S85-TP
- RC-2SP830-TP
- RCN/VCN-2S32
- RCN/VCN-2S40
- REL/VEL-2S40-RH-TP
- RL-2SP20-TP
- RM-2S35-TP
- RM/VM-2SP30-TP
- RIC/VIC-2S32
- RIC/VIC-2S40-TP
- RK/VK-2S32-TP
- RK/VK-2S34-TP
- RK/VK-2S40-TP
- RK/VK-2S110-TP
- REZ/VEZ-2S32
- RS/VS-2S60-TPS
- RS/VS-2S110-TP
- RZT/VZT-2S32*

EBT

- ECG-120/277-2/32 SR
- ECG-120/277-2/40 SR
- SSB1-120/277-2/32 LH
- SSB1-120/277-2/40 LH /-(75%)/-(MPX)
- SSB7-120/277-2/32 LH

GE

- G2-RH-T8-1LL-120/277
- G2-RL-T8-1LL-120/277
- G2-RN-T8-10C-120/277
- G2-RN-T8-1LL-120/277
- G2-RN-T12-1LL-120/277

KINGTEC

- 232K120/277
- 232K120-75%
- 232K2120
- 240K120/277

LUTRON

- ECO T832-120/277-2*
- FDB 4827-120/277-2*

MAGNETEK

- GB 2X32/FL/R/VHP

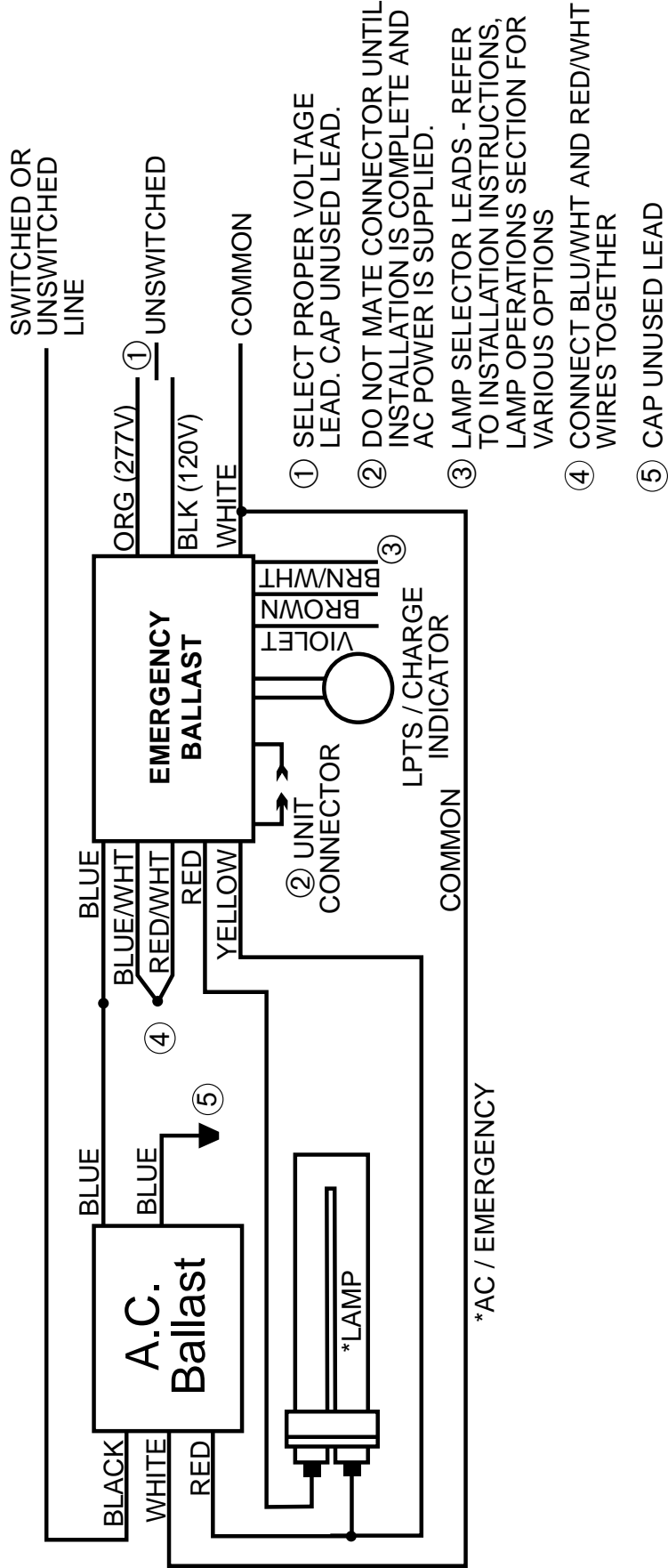
MOTOROLA

- M2-RH-T8-1LL-B-120/277
- M2-RL-T8-1LL-A-120/277
- M2-RN-T12-1LL-B-120/277
- M2-RN-T8-10C-B-120/277
- M2-RN-T8-1LL-D-120/277

ALL COMPATIBLE BALLASTS MAY NOT BE LISTED.
*DIMMING CONTROL WIRES ARE NOT AFFECTED BY EM PACK

1LBX_160

ONE LAMP BIAx



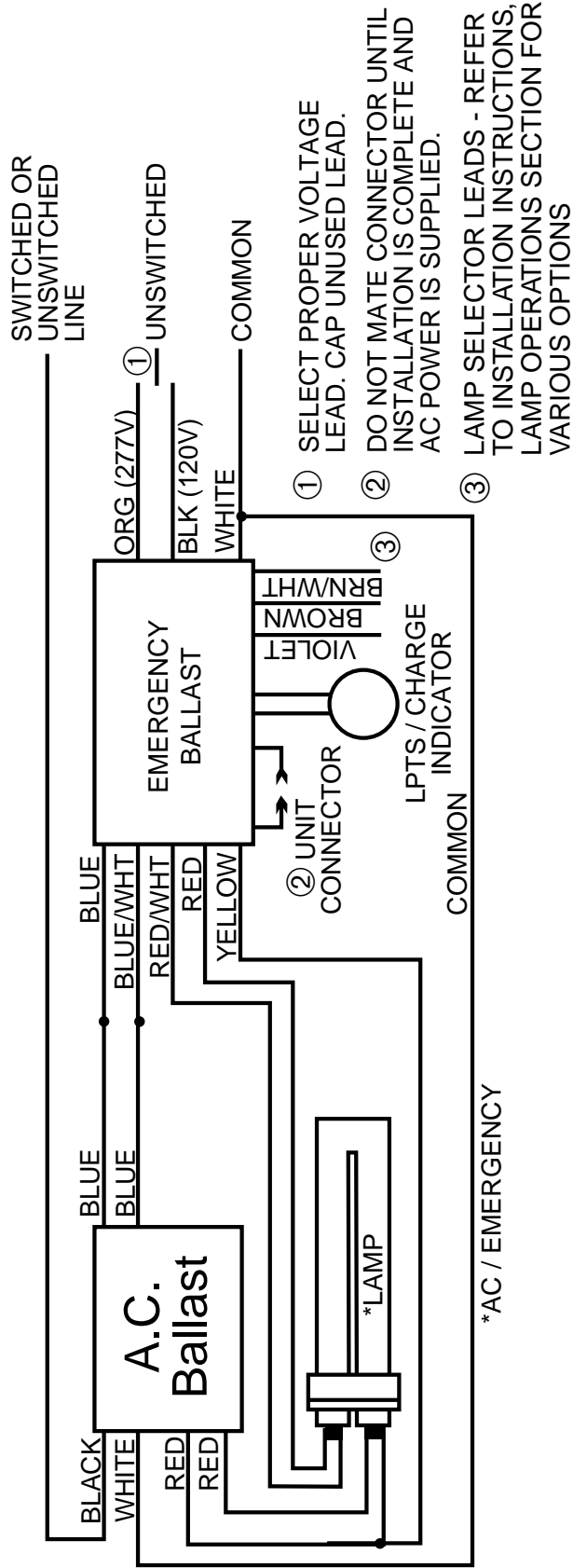
- ① SELECT PROPER VOLTAGE LEAD. CAP UNUSED LEAD.
- ② DO NOT MATE CONNECTOR UNTIL INSTALLATION IS COMPLETE AND AC POWER IS SUPPLIED.
- ③ LAMP SELECTOR LEADS - REFER TO INSTALLATION INSTRUCTIONS, LAMP OPERATIONS SECTION FOR VARIOUS OPTIONS
- ④ CONNECT BLU/WHT AND RED/WHT WIRES TOGETHER
- ⑤ CAP UNUSED LEAD

MAGNETEK

C2401120/277RH

ALL COMPATIBLE BALLASTS MAY NOT BE LISTED.
 *DIMMING CONTROL WIRES ARE NOT AFFECTED BY EM PACK

ONE BIAX LAMP RAPID START BALLAST



ADVANCE

R/V-1BP27-TP
R/V-1BP39-TP
R/V-1BP40-TP

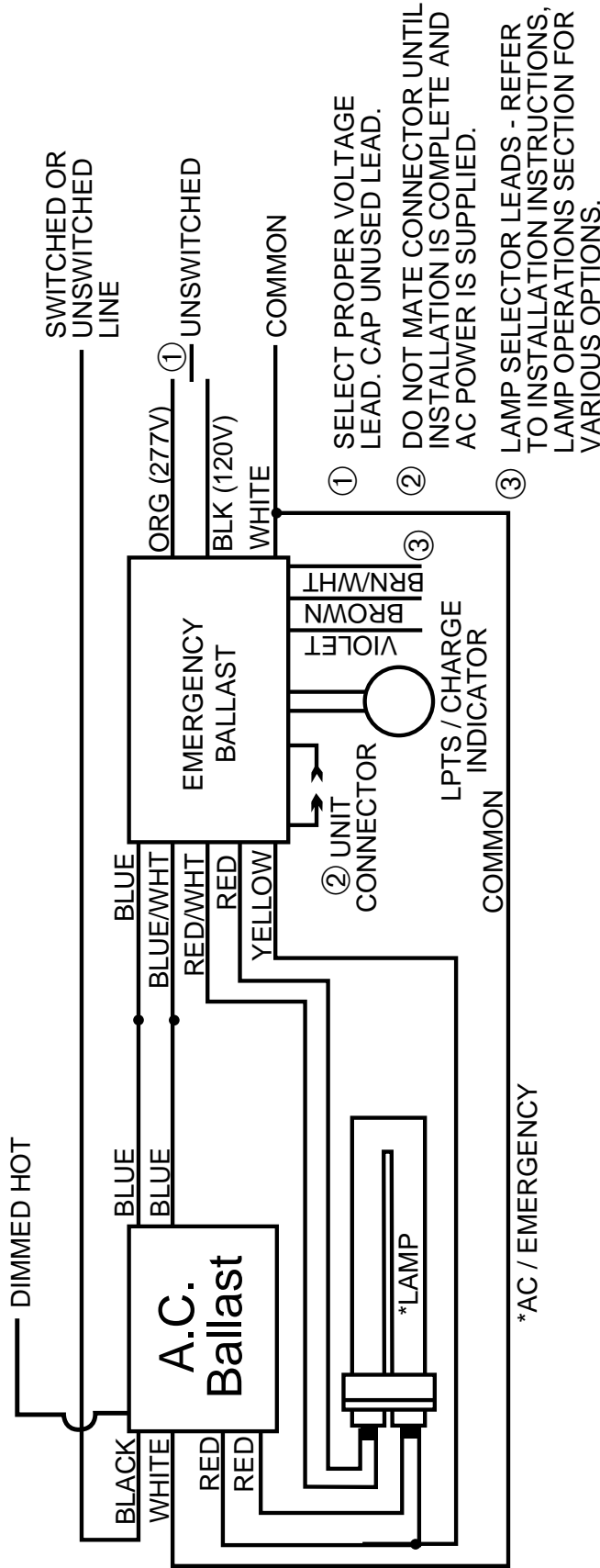
EBT

SSB1-120/277-1/50 TT LH

MOTOROLA

M1-RL-T8-1LL-A-120/277
M1-RL-T8-050-D-120
M1-RN-T12-1LL-B-120/277
M1-RN-T8-10C-B-120/277
M1-RN-T8-1LL-D-120/277
M1-RN-T8-HO-A-120/277
M1-RV-T8-001-B-120

ONE BIAX LAMP RAPID START BALLAST WITH DIMMING CONTROL

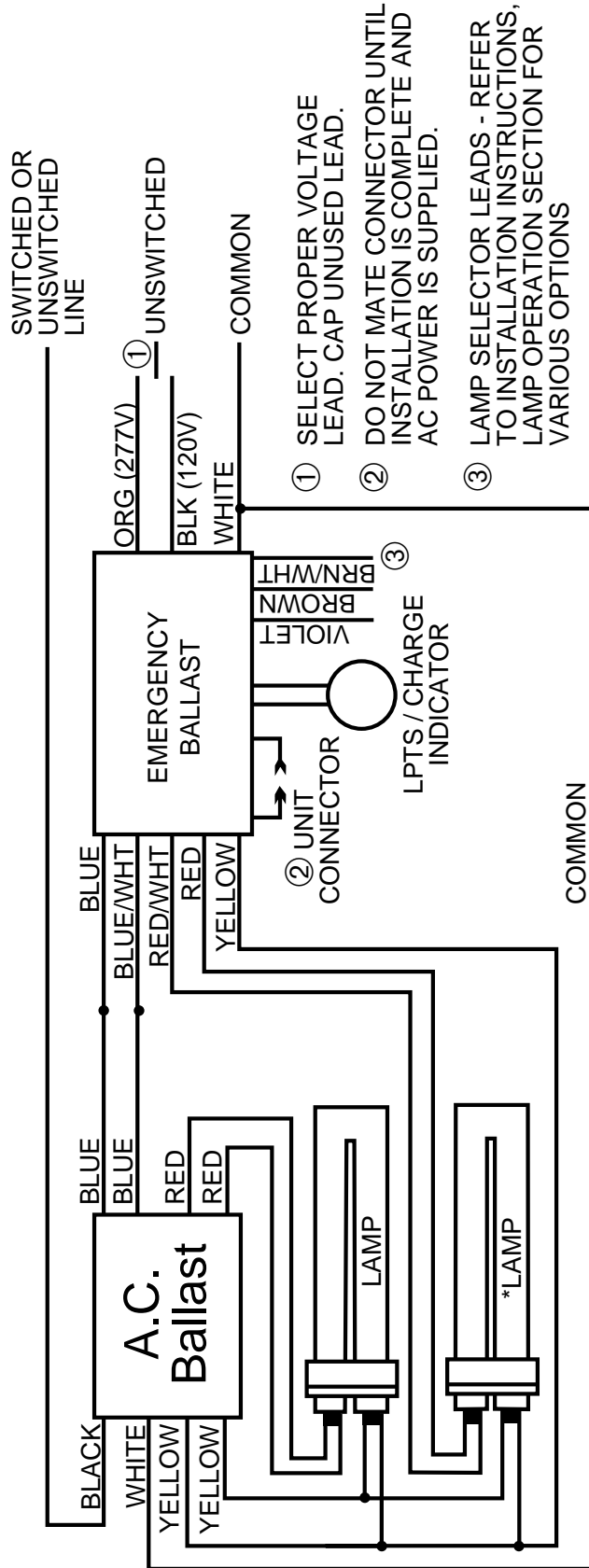


LUTRON

ECO-T540-120/277-1

ALL COMPATIBLE BALLASTS MAY NOT BE LISTED.
 *DIMMING CONTROL WIRES ARE NOT AFFECTED BY EM PACK

TWO COMPACT LAMP RAPID START BALLAST

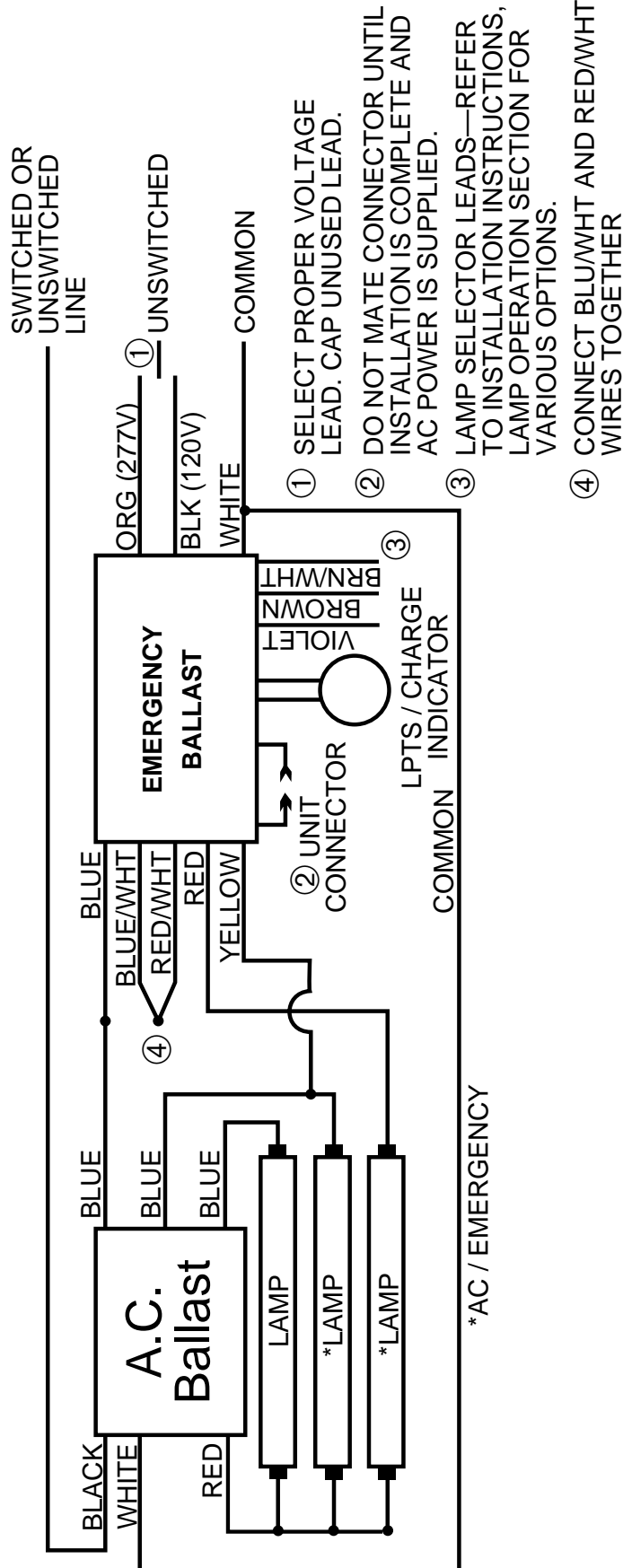


ADVANCE
R/V-2BS27-TP
R/V-2BS39-TP
R/V-2BS40-TP
EBT
SSB1-120/277-2/39 TT LH
SSB1-120/277-2/40 TT LH /-(75%)
SSB1-120/277-2/50 TT LH
GE
G2-RN-T5/40-ILL-120/277
LUTRON
ECO-T540-120/277-2
MOTOROLA
M2-CF-26-S-277
M2-RH-T8-1LL-B-120/277
M2-RL-T8-1LL-A-120/277
M2-RN-T12-1LL-B-120/277
M2-RN-T5/40-1LL-B-120/277
M2-RN-T8-10C-B-120/277
M2-RN-T8-1LL-D-120/277

ALL COMPATIBLE BALLASTS MAY NOT BE LISTED.
*DIMMING CONTROL WIRES ARE NOT AFFECTED BY EM PACK

3LISB_2LEO_160

THREE LAMP INSTANT START BALLAST WITH TWO LAMP EMERGENCY OPERATION



ADVANCE

RCN/VCN-3P32
REL/VEL 3P32-RH-TP
REL/VEL-3P32-LW-RH-TP

EBT

SSB2-120/277-3/32 IS LH

GE

G3-IN-T8-120/277

GOLDSTAR

GB 3x32/FL/I/120-277
GB 3x32/FL/I/120L-277L

HOWARD

E3/32IS-120/277
EC3/32IS-120/277
ECL3/32IS-120/277
EL3/32IS-120/277

MAGNETEK

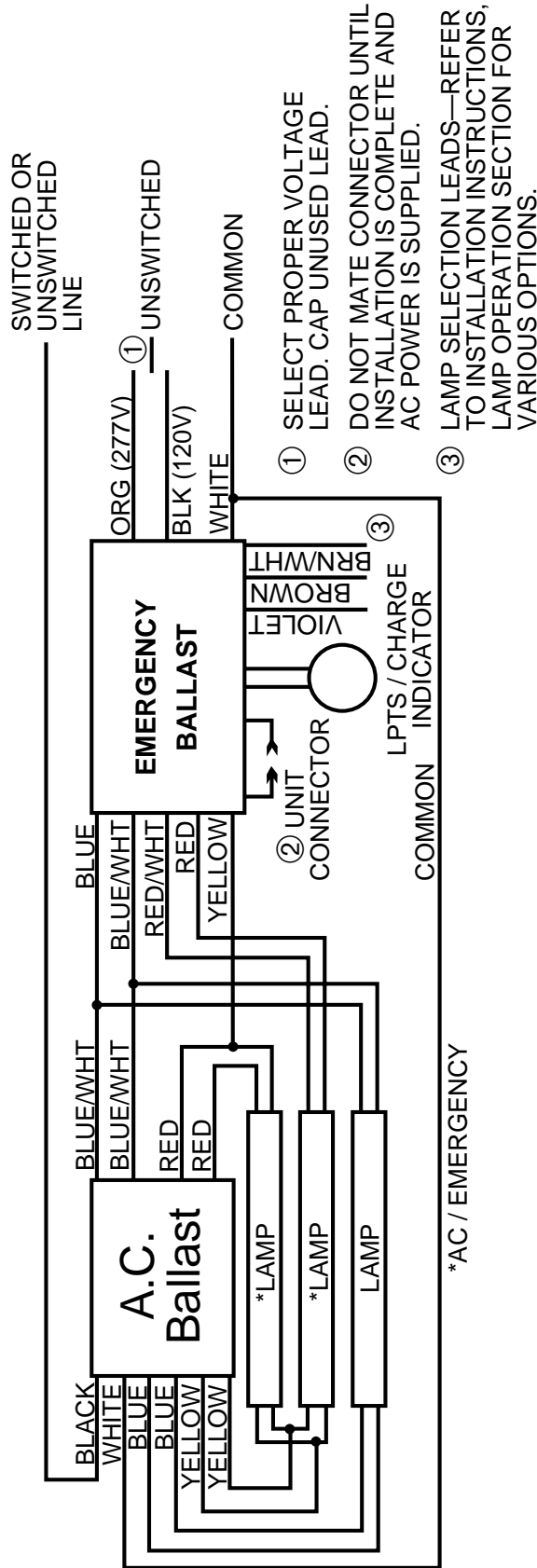
B3321120/277RH
B3321120/277HP

MOTOROLA

M3-IL-T8-GP-A-120/277
M3-IN-T8-A-120/277
M3-IN-T8-D-120/277
M3-IN-T8-GP-A-120/277

ALL COMPATIBLE BALLASTS MAY NOT BE LISTED.
*DIMMING CONTROL WIRES ARE NOT AFFECTED BY EM PACK

THREE LAMP RAPID START BALLAST WITH TWO LAMP EMERGENCY OPERATION



ADVANCE

R/V-3S34-TP
 RCN/VCN-3S32
 RCN/VCN-3S40
 REL/VEL-3S40-RH-TP
 RIC/MIC-3S32-TP
 RIC/MIC-3S40-TP
 RK/VK-3S34-TP
 RL-3SP20-TP
 RZT/VZT-3S32*
 REZ/VEZ-3S32*

EBT

SSB1-120/277-3/32 LH
 SSB1-120/277-3/40 LH

GE

G3-RL-T8-1LL-120/277
 G3-RN-T8-10C-120/277
 G3-RN-T8-1LL-120/277
 G3-RN-T12-1LL-120/277

LUTRON

ECO-T832-120/277-3*
 FDB-4827-120/277-3*

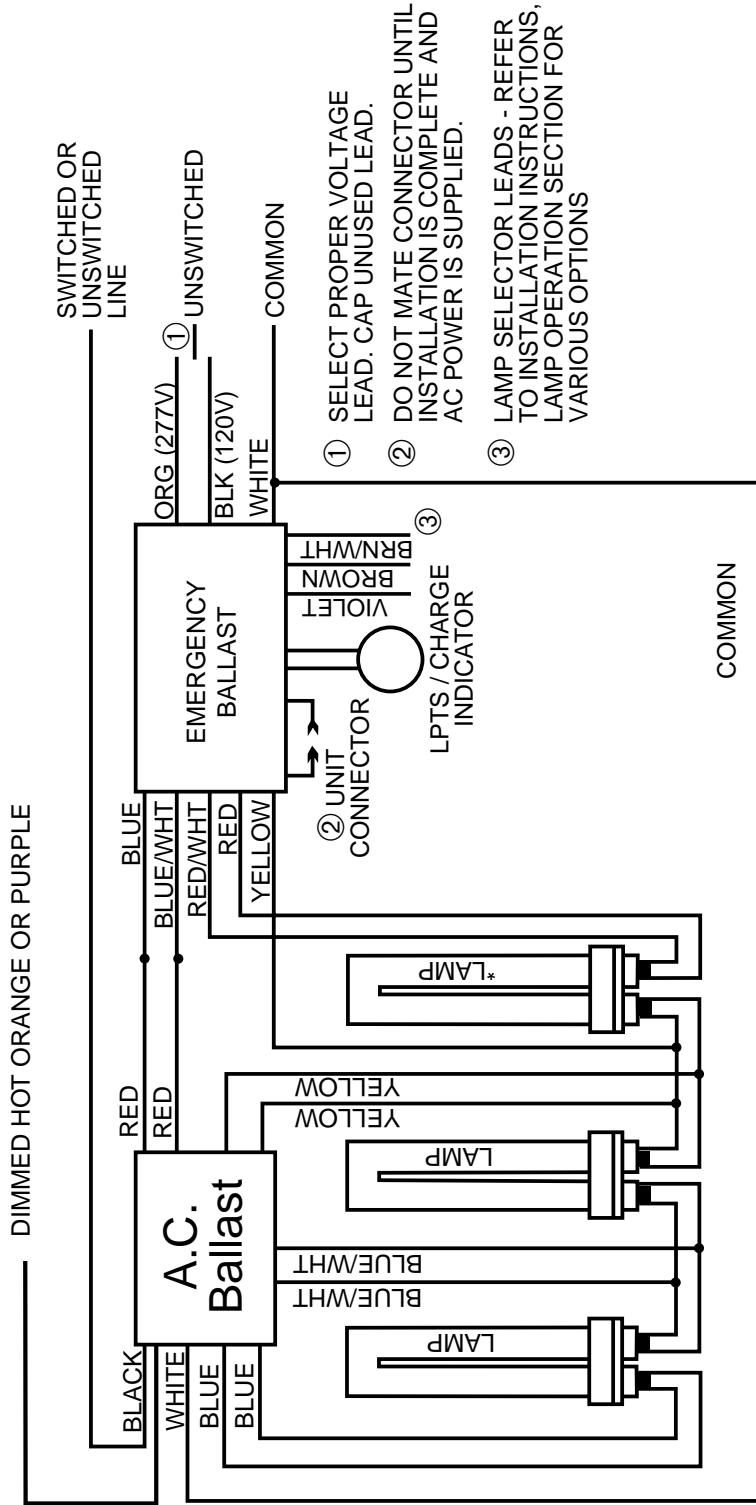
MOTOROLA

M3-RL-T8-1LL-A-120/277
 M3-RN-T12-1LL-B-120/277
 M3-RN-T8-1LL-A-120/277

ALL COMPATIBLE BALLASTS MAY NOT BE LISTED.
 *DIMMING CONTROL WIRES ARE NOT AFFECTED BY EM PACK

3BXLRSB_DM_160

THREE BIAx RAPID START BALLAST WITH DIMMING CONTROL



*AC / EMERGENCY

EBT

SSB1-120/277-2/39 TT LH

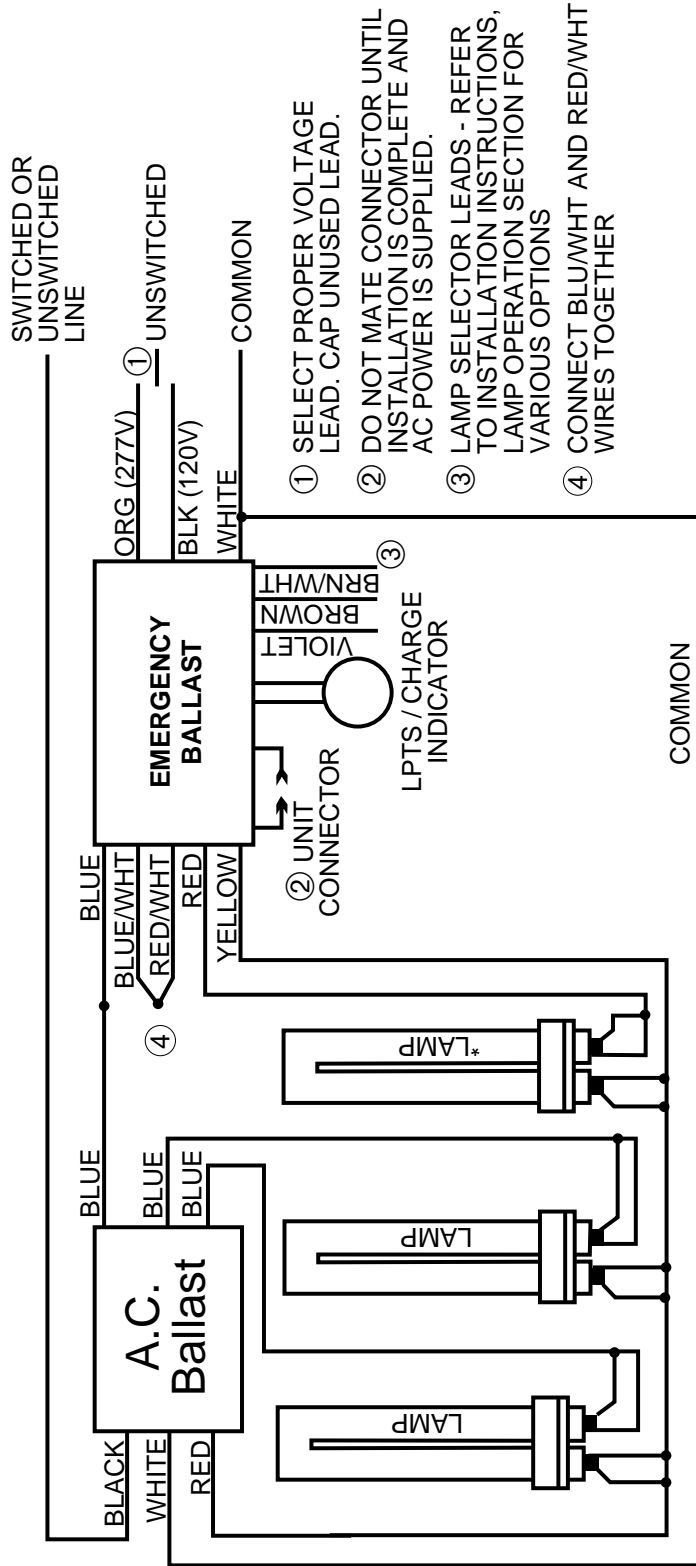
LUTRON

ECO-T540-120/277-3

ALL COMPATIBLE BALLASTS MAY NOT BE LISTED.
*DIMMING CONTROL WIRES ARE NOT AFFECTED BY EM PACK

3LBXIN_160

THREE LAMP BIAx INSTANT START



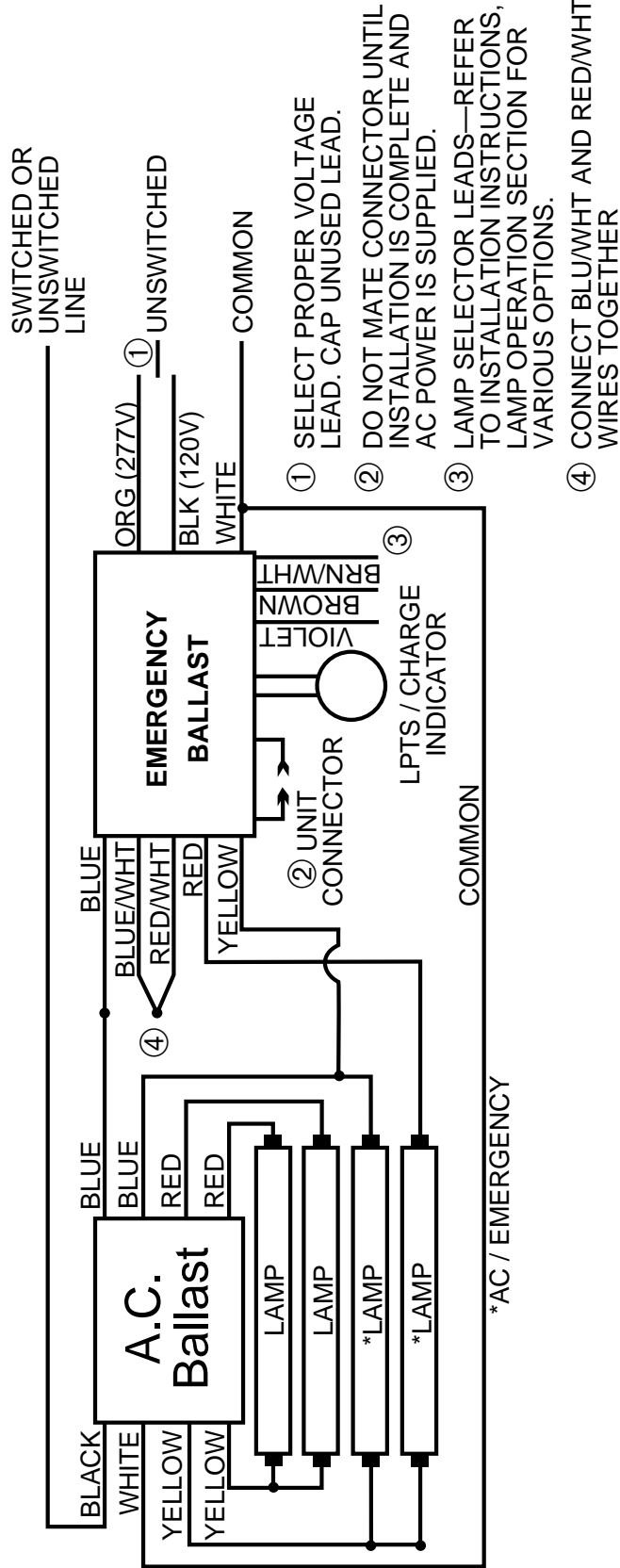
- ① SELECT PROPER VOLTAGE LEAD. CAP UNUSED LEAD.
- ② DO NOT MATE CONNECTOR UNTIL INSTALLATION IS COMPLETE AND AC POWER IS SUPPLIED.
- ③ LAMP SELECTOR LEADS - REFER TO INSTALLATION INSTRUCTIONS, LAMP OPERATION SECTION FOR VARIOUS OPTIONS
- ④ CONNECT BLU/WHT AND RED/WHT WIRES TOGETHER

*AC / EMERGENCY

EBT
SSB2-120/277-3/40 IS TT LH
MAGNETEK
C3401120/277RH
MOTOROLA
M3-IL-T8-GP-A-120/277
M3-IN-T8-A-120/277
M3-IN-T8-GP-A-120/277

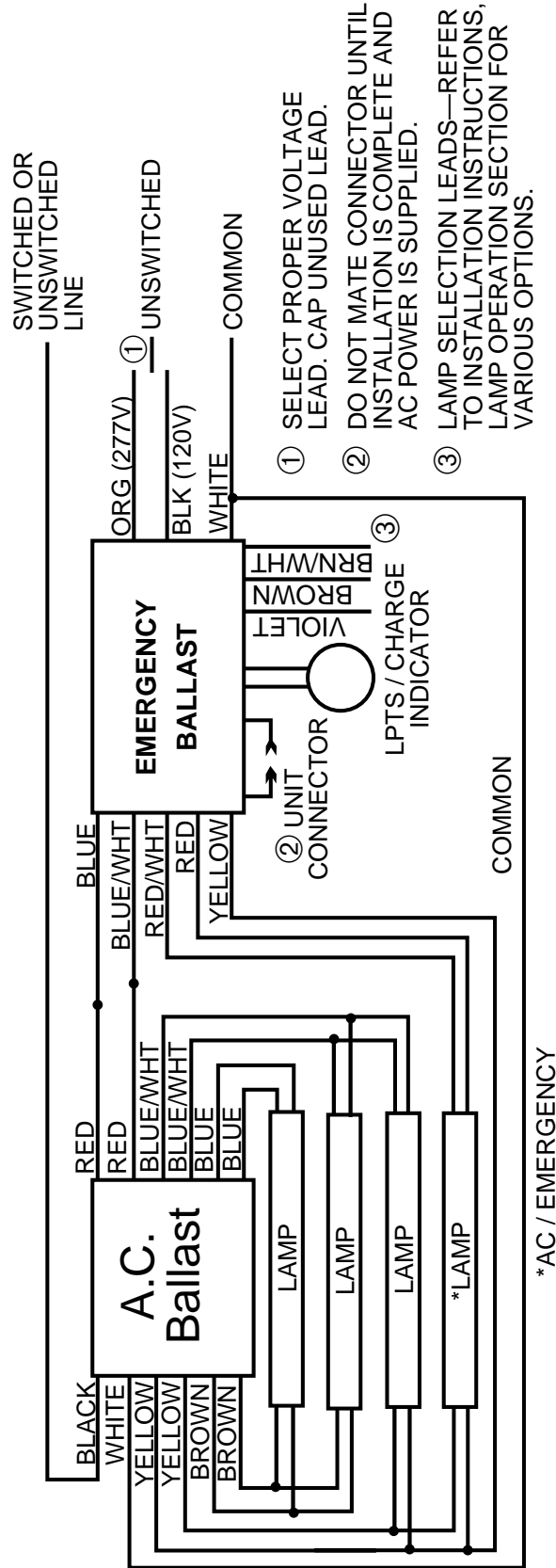
ALL COMPATIBLE BALLASTS MAY NOT BE LISTED.
 *DIMMING CONTROL WIRES ARE NOT AFFECTED BY EM PACK

FOUR LAMP INSTANT START BALLAST WITH TWO LAMP EMERGENCY OPERATION



ADVANCE
RCN/VCN-4P32 REL/VEL-4P32-RH-TP REL/VEL-4P32-LW-RH-TP
EBT
SSB2-120/277-4/32 IS LH /-(75%)
GE
G4-IN-T8-120/277
GOLDSTAR
GB 4X32/FL/I/120-277 GB 4x32/FL/I/120L-277L
HOWARD
E4/32IS-120/277 EC4/32IS-120/277
KINGTEC
432K120-IS/277-IS 432K120-75%
MAGNETEK
B432I120/277HP B432I120/277RH
MOTOROLA
M4-IL-T8-GP-A-120/277 M4-IN-T8-A-120/277 M4-IN-T8-D-120/277 M4-IN-T8-GP-A-120/277
ALL COMPATIBLE BALLASTS MAY NOT BE LISTED. *DIMMING CONTROL WIRES ARE NOT AFFECTED BY EM PACK

FOUR LAMP RAPID START BALLAST



ADVANCE

RC-4S60-TP
RC-4S85-TP
VCN-4S32-SC

GE

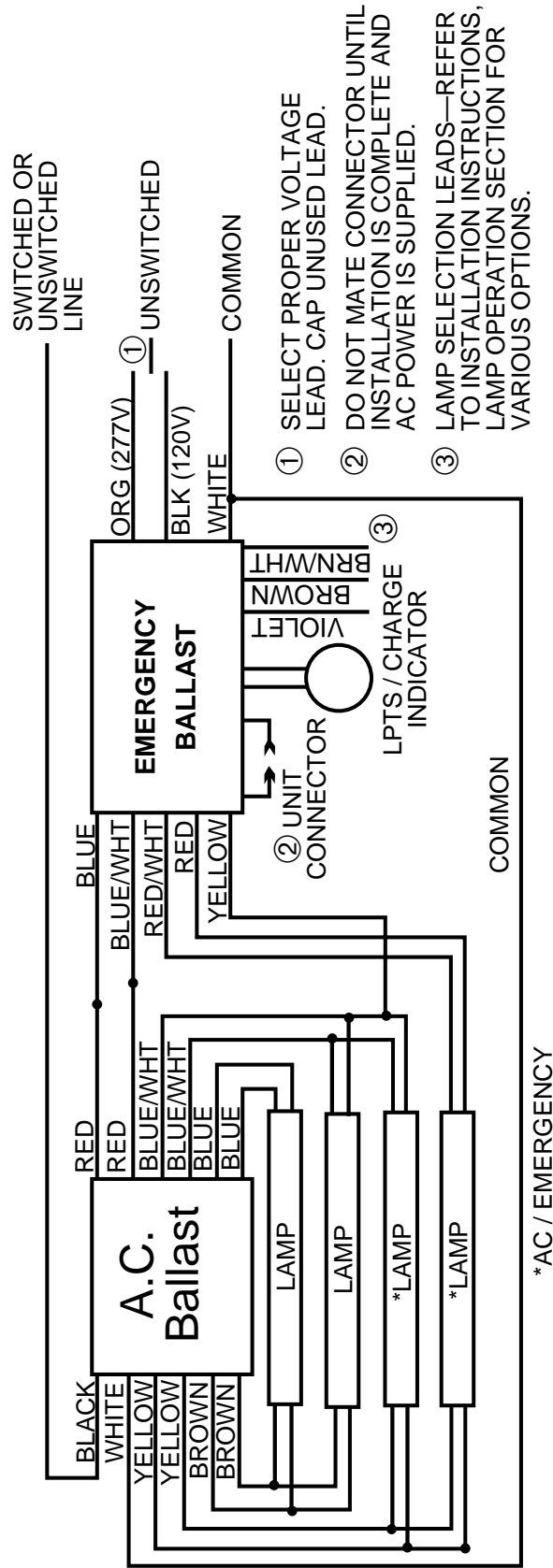
G4-RL-T8-1LL-120/277
G4-RN-T8-10C-120/277
G4-RN-T8-1LL-120/277

MOTOROLA

M4-RL-T8-1LL-A-120/277
M4-RL-T8-1LL-B-120/277
M4-RN-T8-1LL-A-120/277
M4-RN-T8-1LL-B-120/277

ALL COMPATIBLE BALLASTS MAY NOT BE LISTED.
*DIMMING CONTROL WIRES ARE NOT AFFECTED BY EM PACK

FOUR LAMP RAPID START BALLAST WITH TWO LAMP EMERGENCY OPERATION



ADVANCE

RC-4S60-TP
RC-4S85-TP
VCN-4S32-SC

GE

G4-RL-T8-1LL-120/277
G4-RN-T8-10C-120/277
G4-RN-T8-1LL-120/277

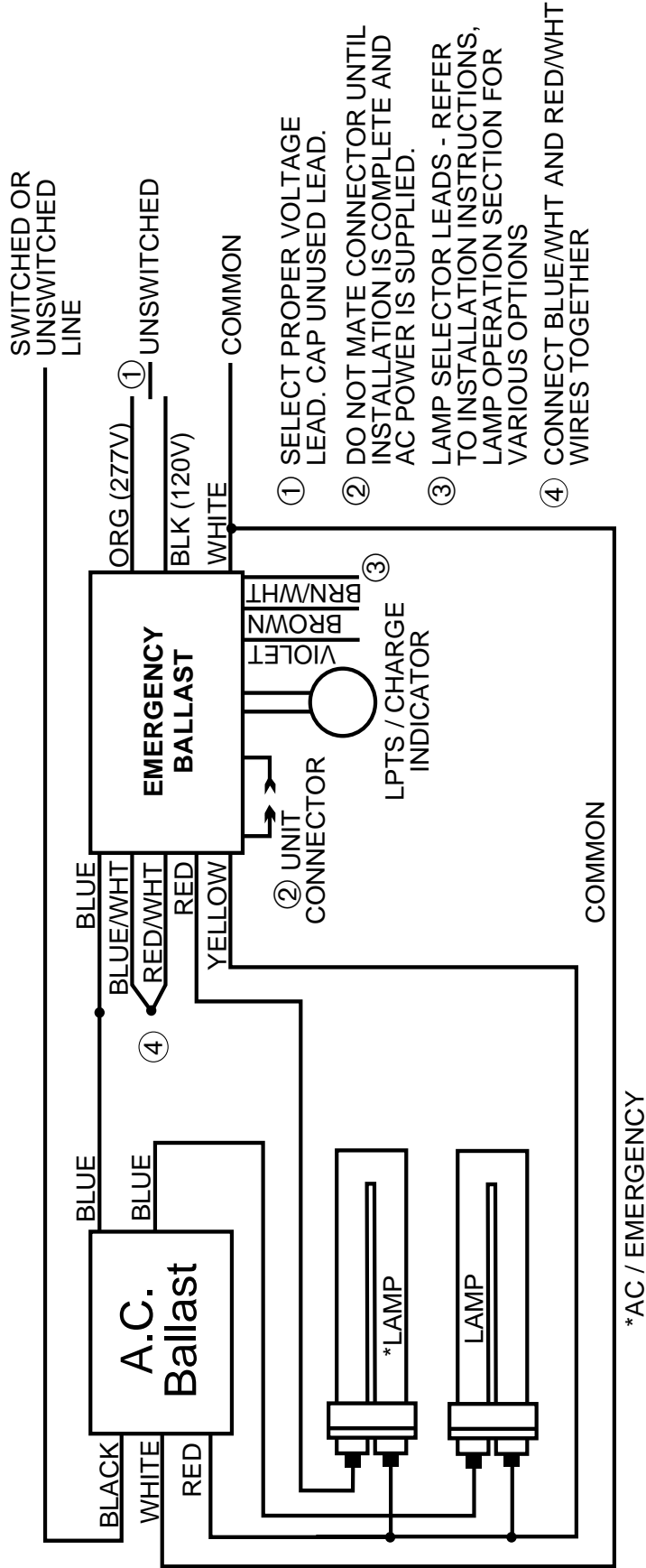
MOTOROLA

M4-RL-T8-1LL-A-120/277
M4-RL-T8-1LL-B-120/277
M4-RN-T8-1LL-A-120/277
M4-RN-T8-1LL-B-120/277

ALL COMPATIBLE BALLASTS MAY NOT BE LISTED.
*DIMMING CONTROL WIRES ARE NOT AFFECTED BY EM PACK

2LISBX_160

TWO BIAX LAMP INSTANT START BALLAST



MAGNETEK

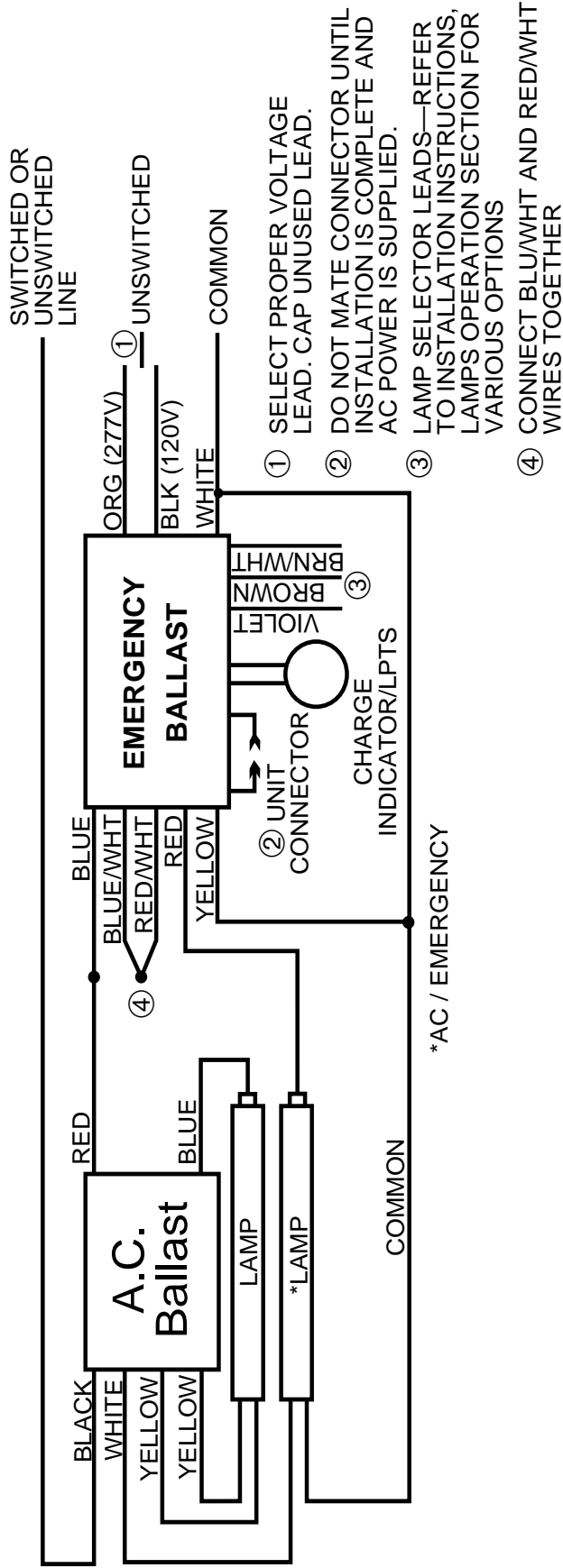
B2321120/277HP
B2321120/277RH

MOTOROLA

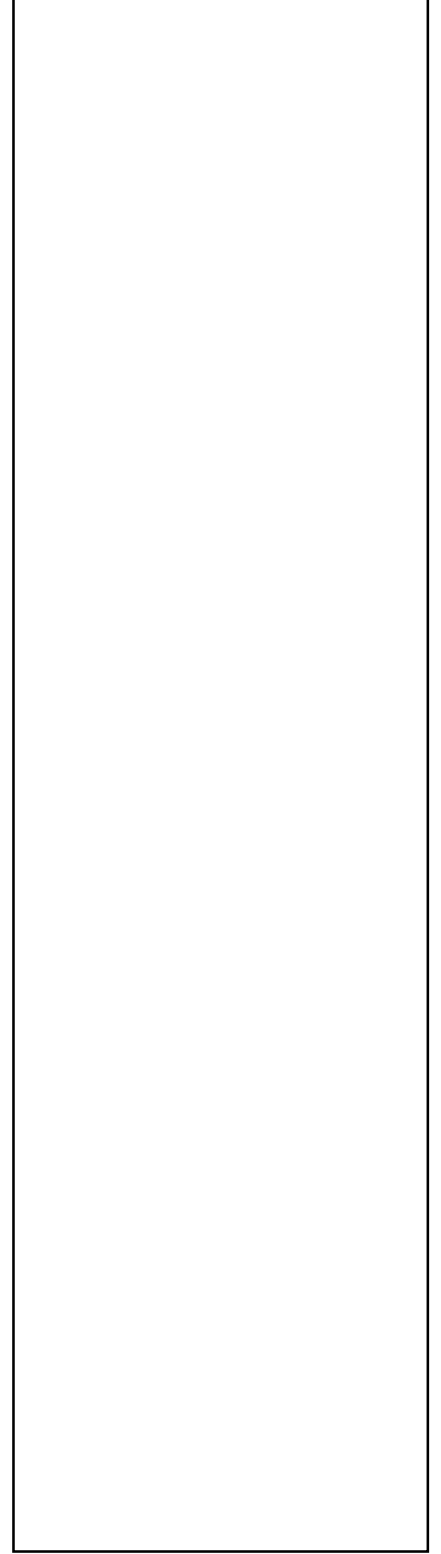
M2-IL-T8-GP-D-120/277
M2-IN-T8-D-120/277
M2-IN-T8-1LL-D-120/277
M2-IN-T8-8FT-A-120/277
M2-IN-T8-8GP-A-120/277
M2-IN-T8-GP-D-120/277

ALL COMPATIBLE BALLASTS MAY NOT BE LISTED.
*DIMMING CONTROL WIRES ARE NOT AFFECTED BY EM PACK

TWO LAMP BALLAST

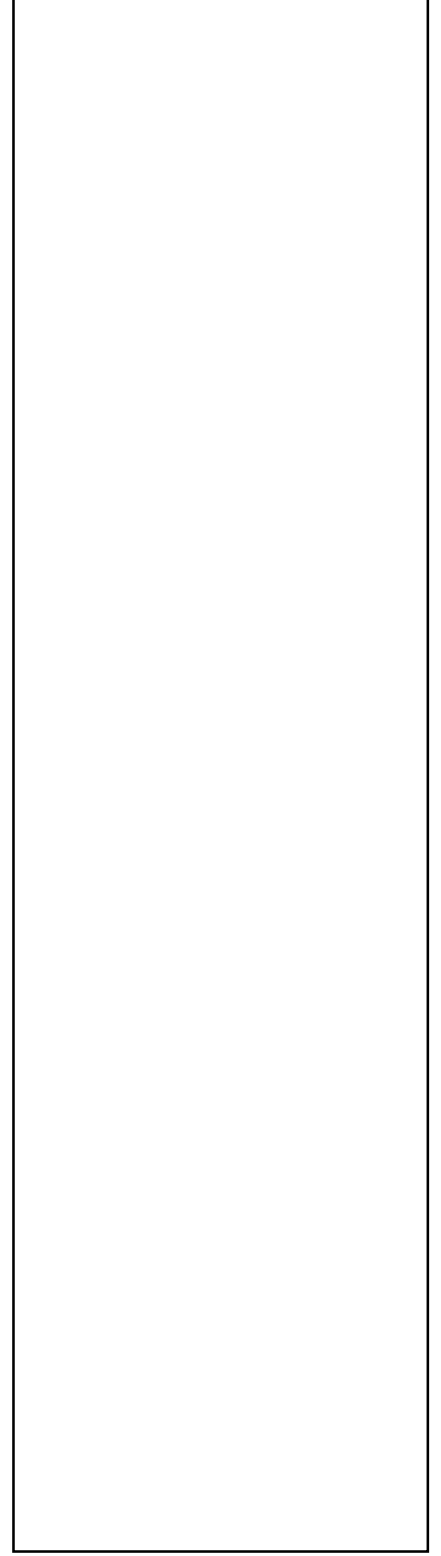
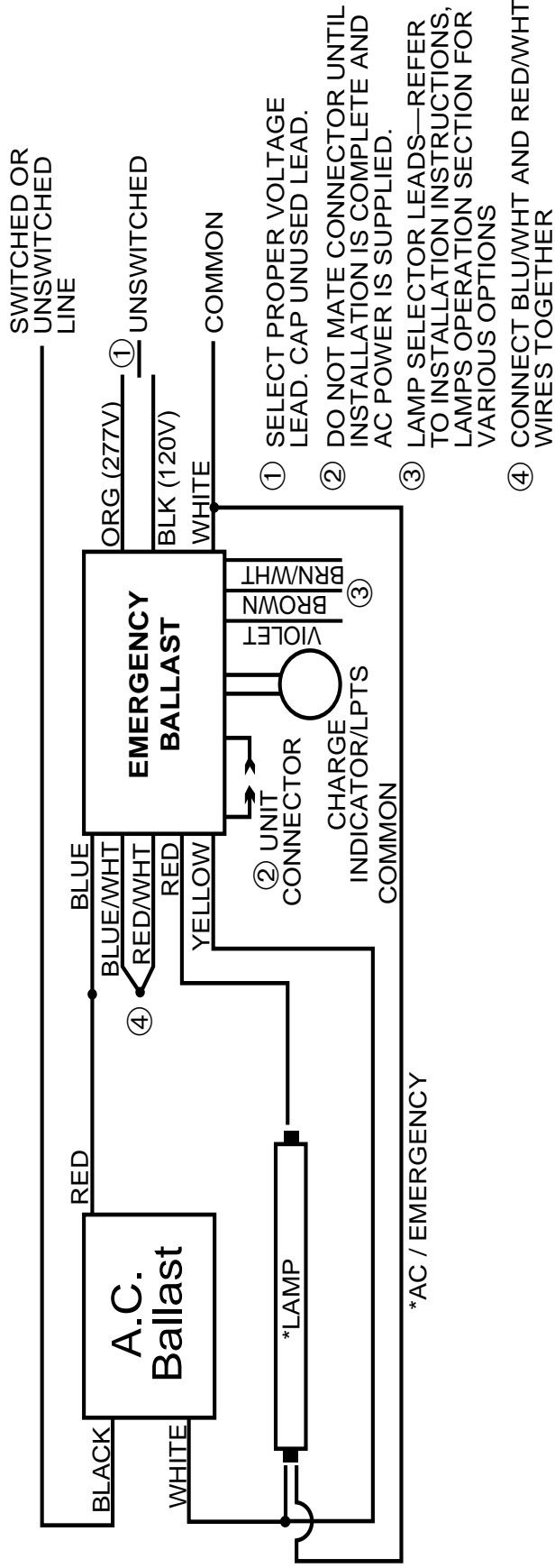


- ① SELECT PROPER VOLTAGE LEAD. CAP UNUSED LEAD.
- ② DO NOT MATE CONNECTOR UNTIL INSTALLATION IS COMPLETE AND AC POWER IS SUPPLIED.
- ③ LAMP SELECTOR LEADS—REFER TO INSTALLATION INSTRUCTIONS, LAMPS OPERATION SECTION FOR VARIOUS OPTIONS
- ④ CONNECT BLU/WHT AND RED/WHT WIRES TOGETHER



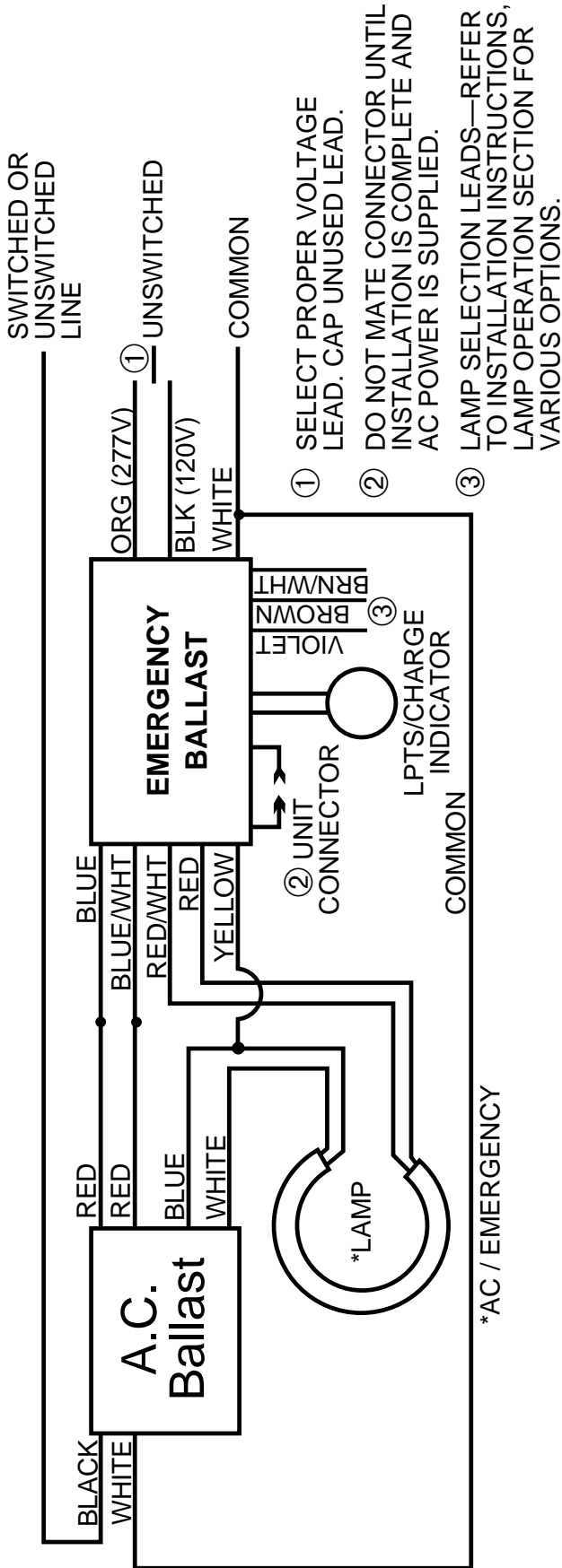
1LMB_160

ONE LAMP MAGNETIC BALLAST



1LCRSB_160

ONE LAMP CIRCLINE RAPID START BALLAST



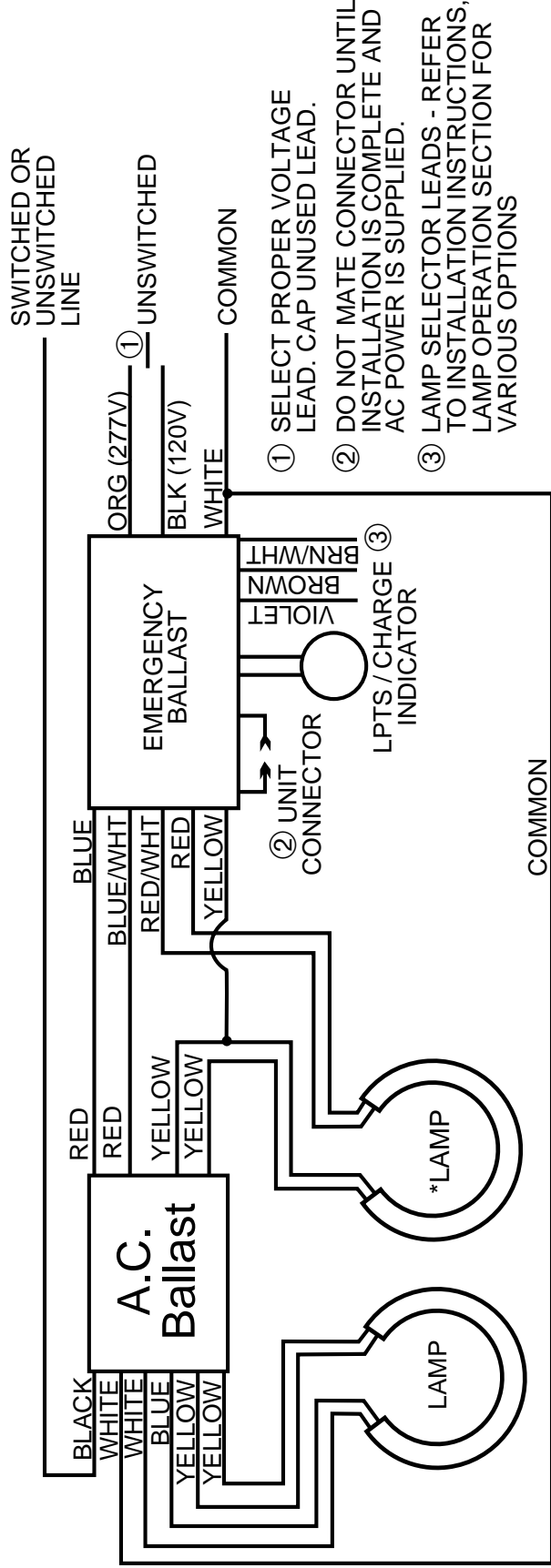
ADVANCE

RLCS-140-TP
RLOS-122-TP

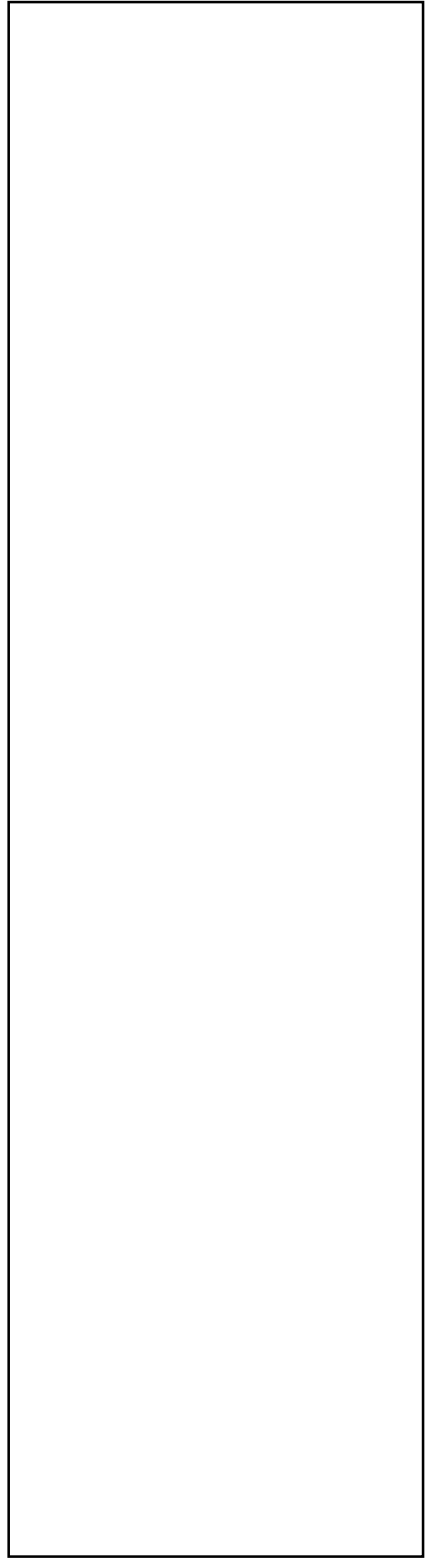
ALL COMPATIBLE BALLASTS MAY NOT BE LISTED.
*DIMMING CONTROL WIRES ARE NOT AFFECTED BY EM PACK

3LR5B_160

TWO LAMP CIRCLINE RAPID START BALLAST



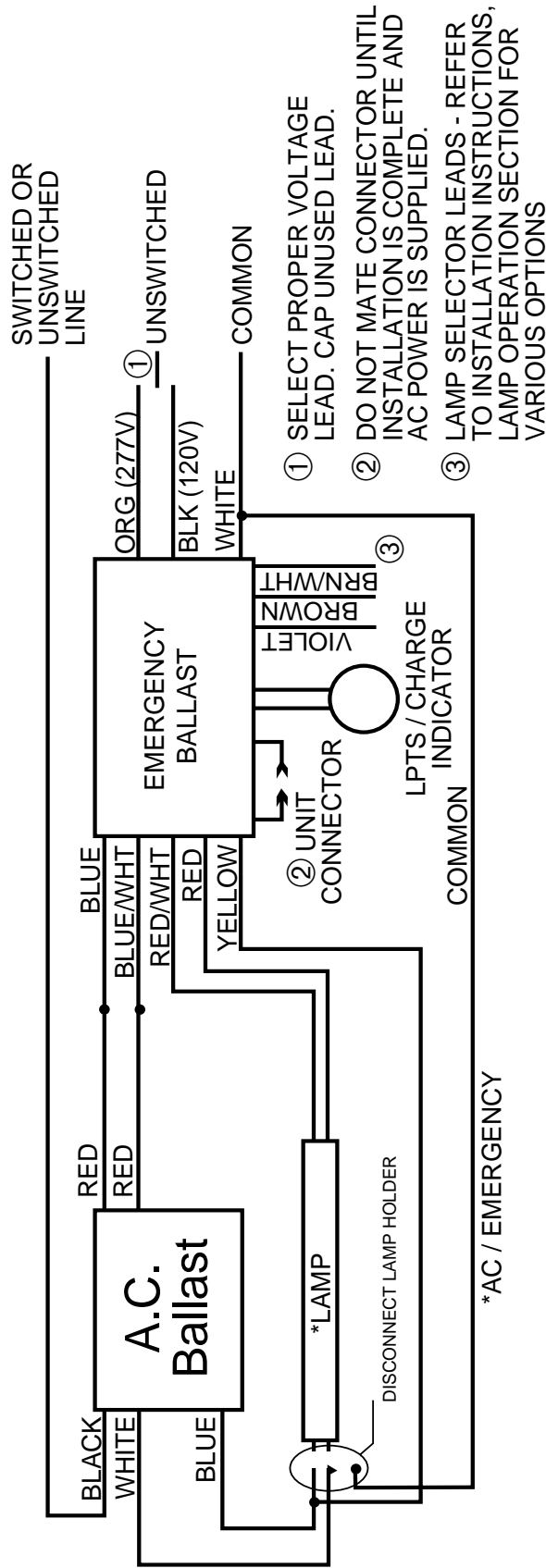
- ① SELECT PROPER VOLTAGE LEAD. CAP UNUSED LEAD.
- ② DO NOT MATE CONNECTOR UNTIL INSTALLATION IS COMPLETE AND AC POWER IS SUPPLIED.
- ③ LAMP SELECTOR LEADS - REFER TO INSTALLATION INSTRUCTIONS, LAMP OPERATION SECTION FOR VARIOUS OPTIONS



*AC / EMERGENCY

1LLAG_160

ONE LAMP LAG BALLAST



ADVANCE

RL-140-TP

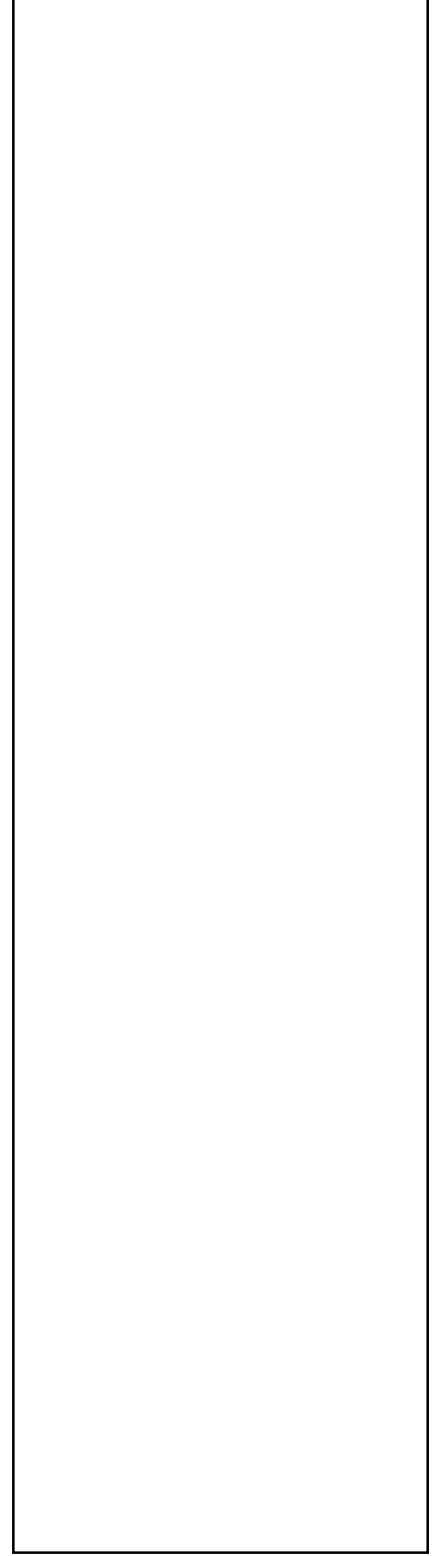
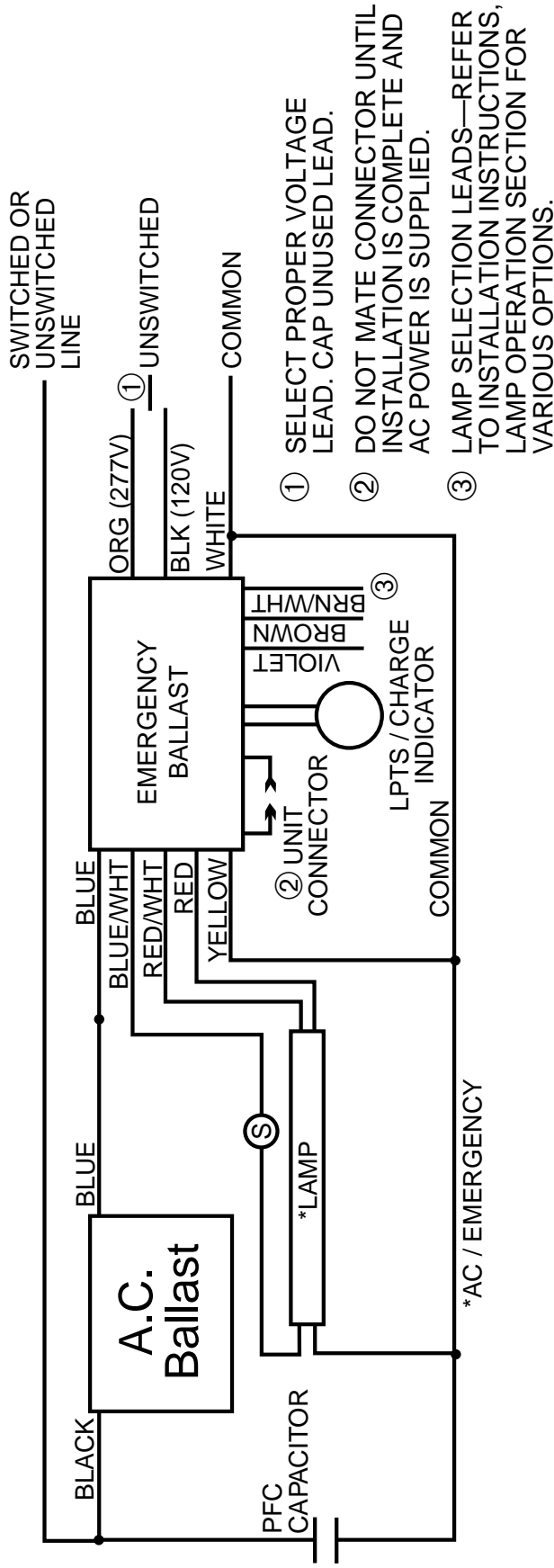
MAGNETEK

543-B

ALL COMPATIBLE BALLASTS MAY NOT BE LISTED.
 *DIMMING CONTROL WIRES ARE NOT AFFECTED BY EM PACK

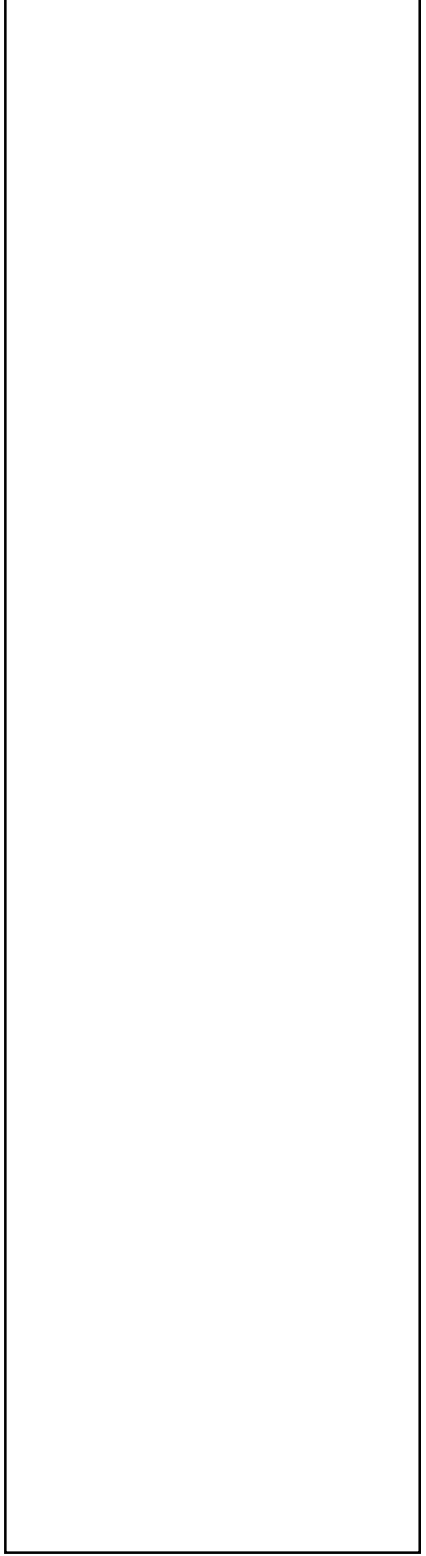
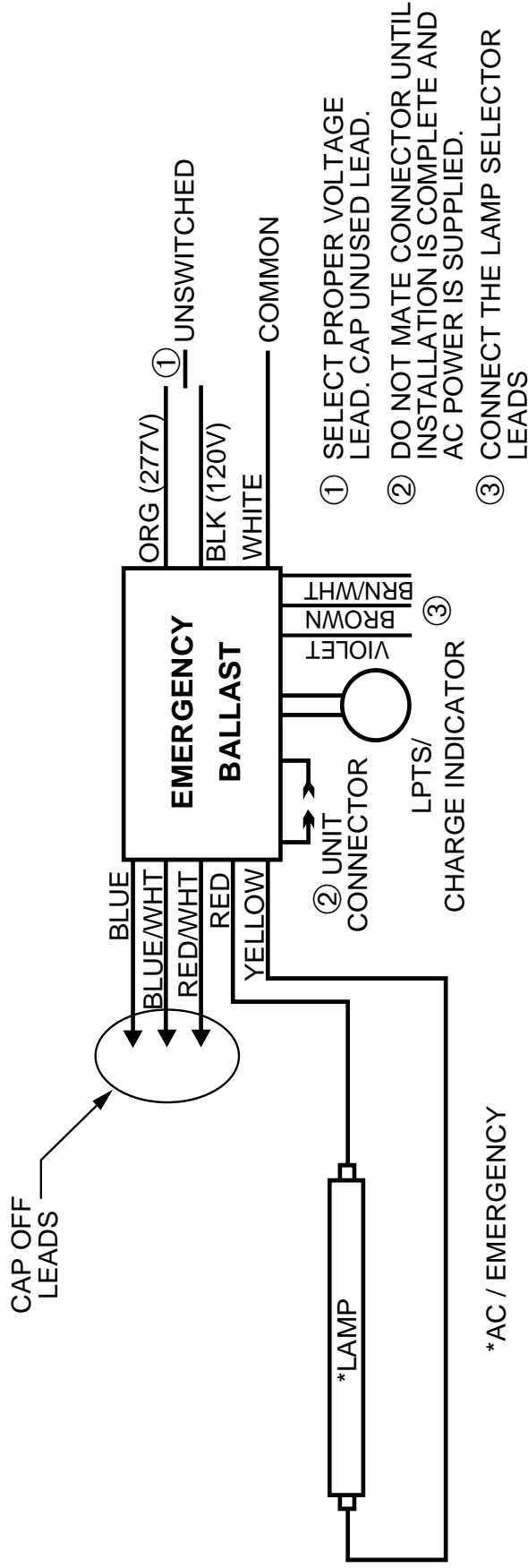
1LPHSB_160

ONE LAMP PRE-HEAT START BALLAST

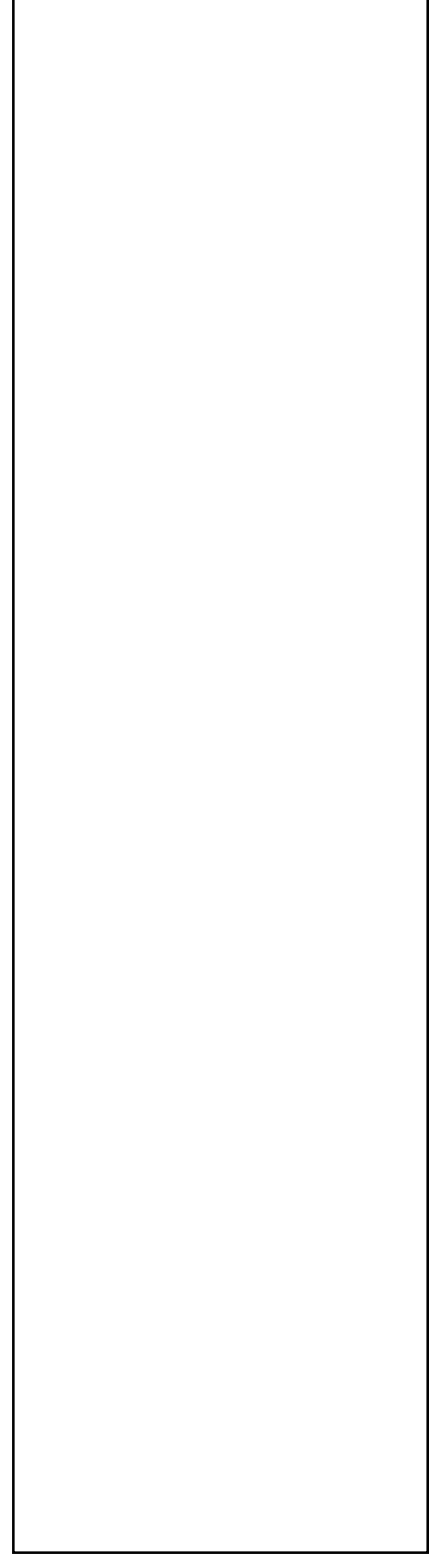
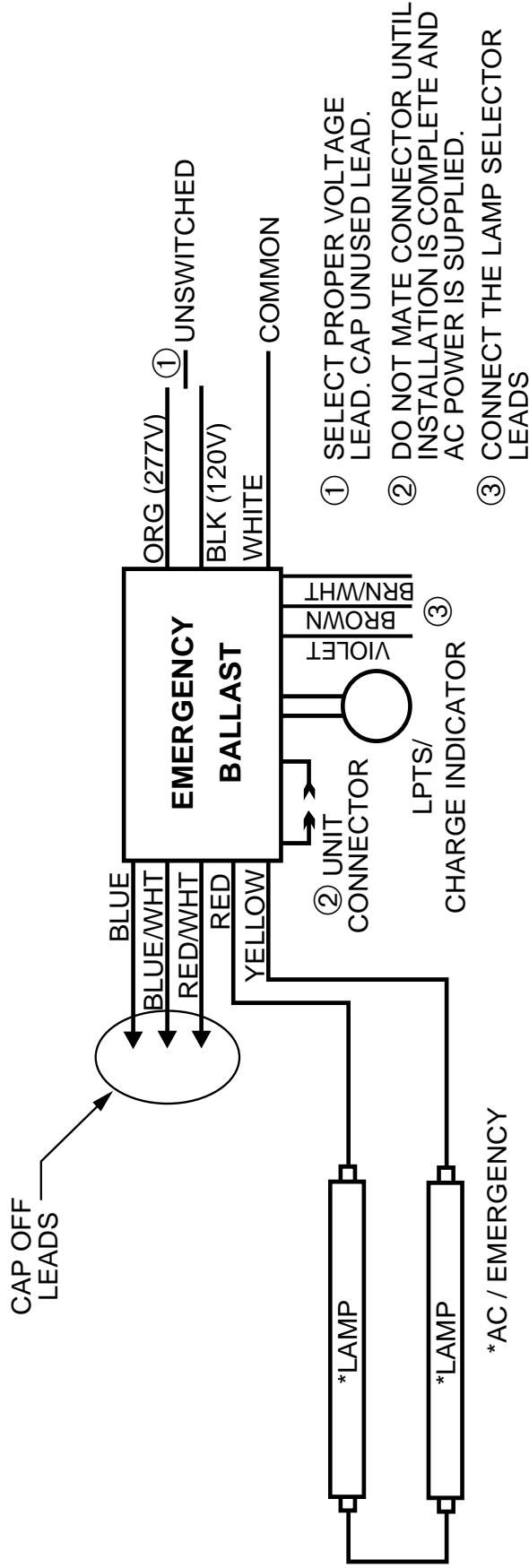


1LEO_160

ONE LAMP EMERGENCY ONLY

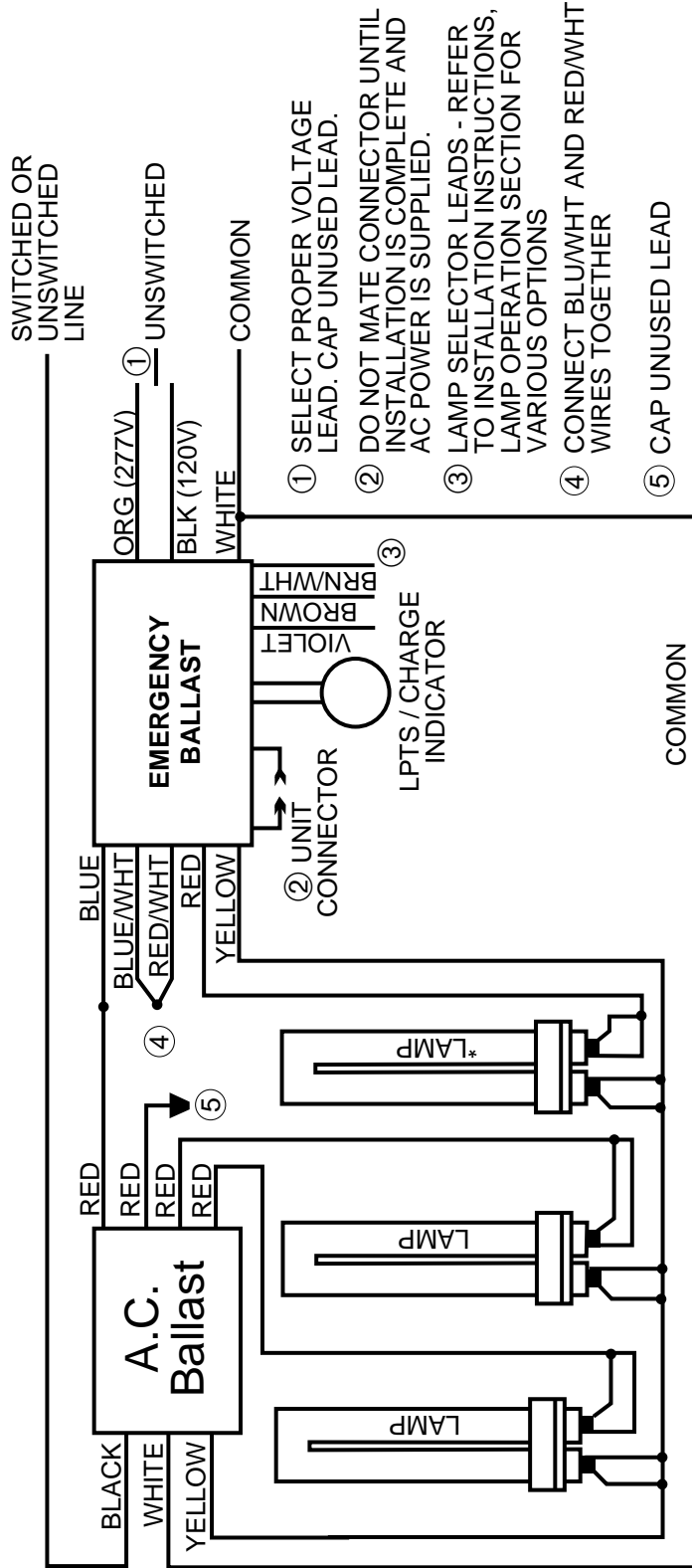


TWO LAMP EMERGENCY ONLY



FWB_160

FULHAM WORKHORSE BALLAST



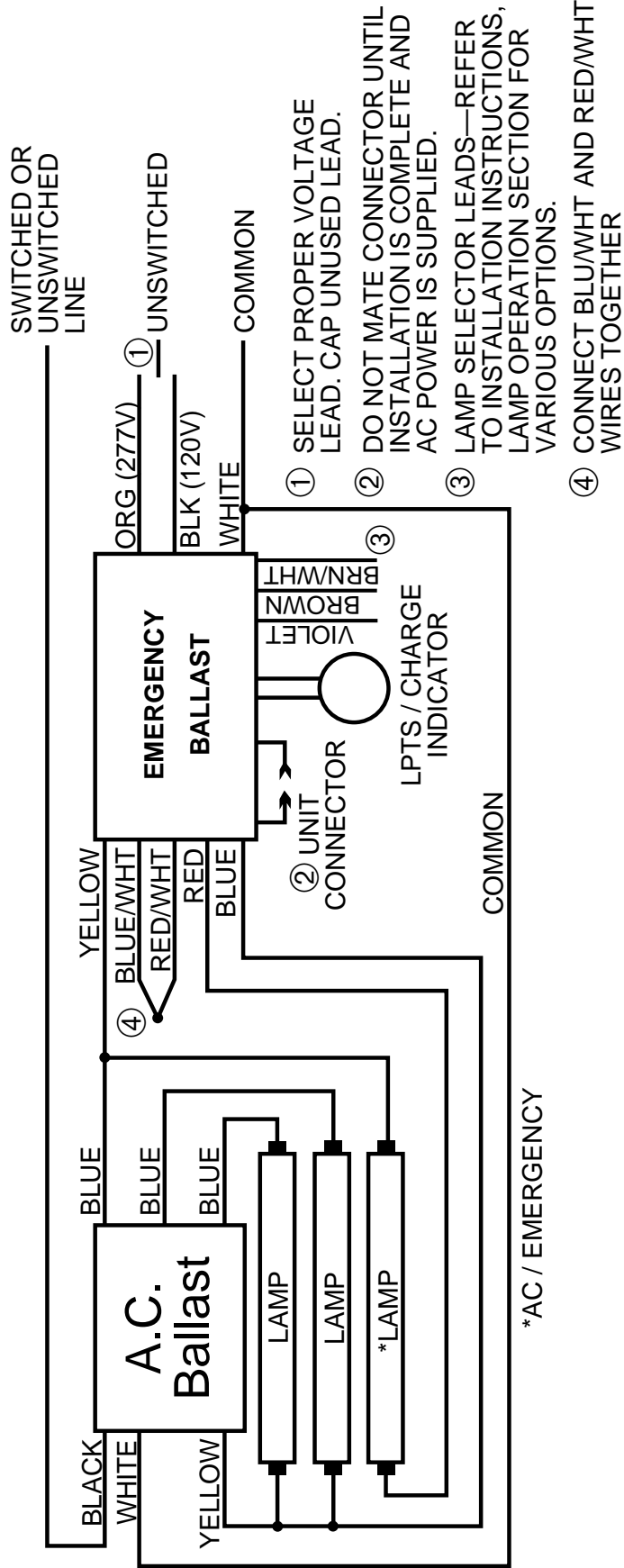
- ① SELECT PROPER VOLTAGE LEAD. CAP UNUSED LEAD.
- ② DO NOT MATE CONNECTOR UNTIL INSTALLATION IS COMPLETE AND AC POWER IS SUPPLIED.
- ③ LAMP SELECTOR LEADS - REFER TO INSTALLATION INSTRUCTIONS, LAMP OPERATION SECTION FOR VARIOUS OPTIONS
- ④ CONNECT BLU/WHT AND RED/WHT WIRES TOGETHER
- ⑤ CAP UNUSED LEAD

*AC / EMERGENCY

FULHAM	
WH4-120-L	
WH4-277-L	
WH5-120-L	
WH5-277-L	
WH6-120-L	
WH6-277-L	

ALL COMPATIBLE BALLASTS MAY NOT BE LISTED.
 *DIMMING CONTROL WIRES ARE NOT AFFECTED BY EM PACK

THREE LAMP INSTANT START BALLAST

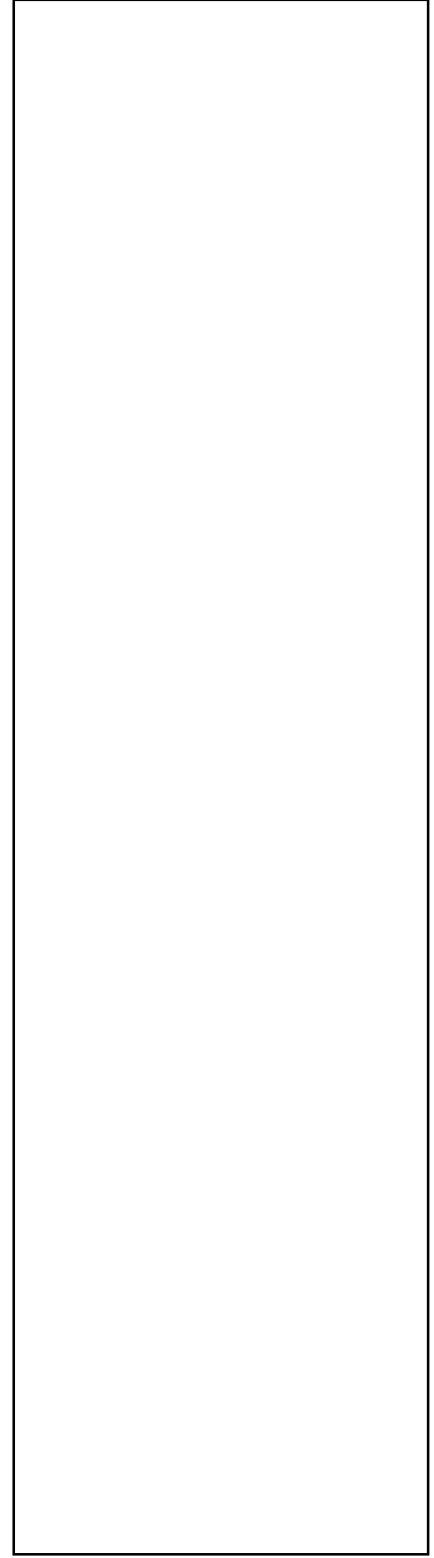
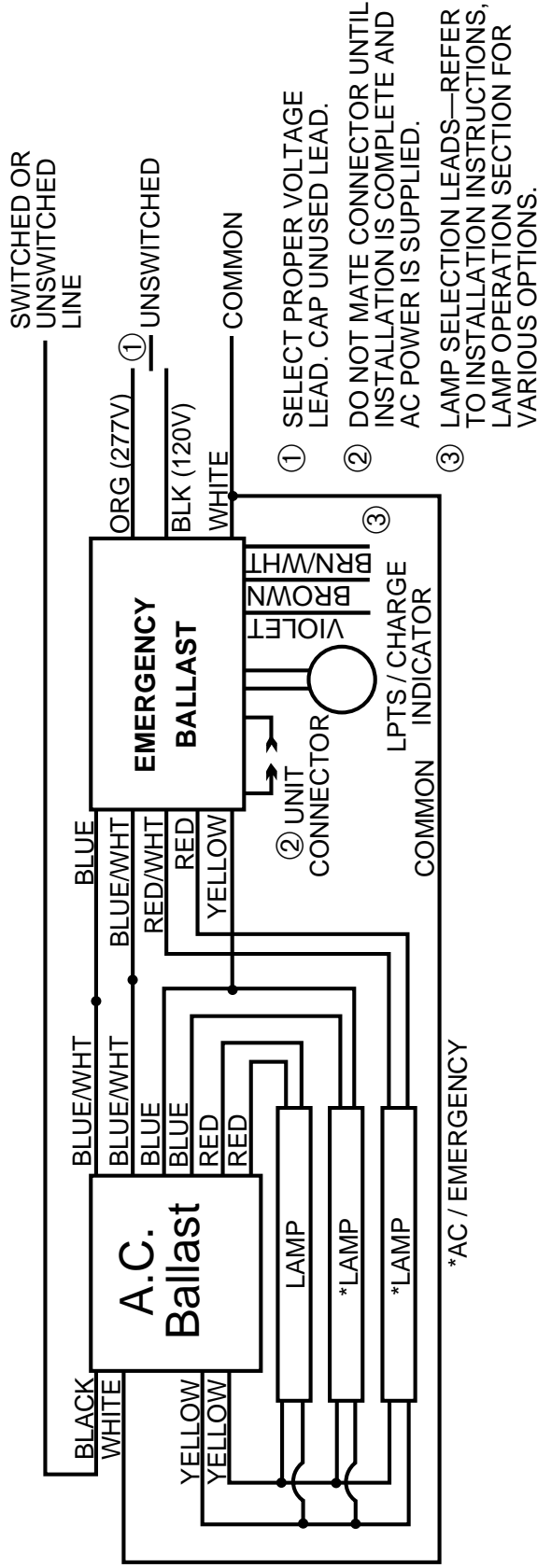


ADVANCE

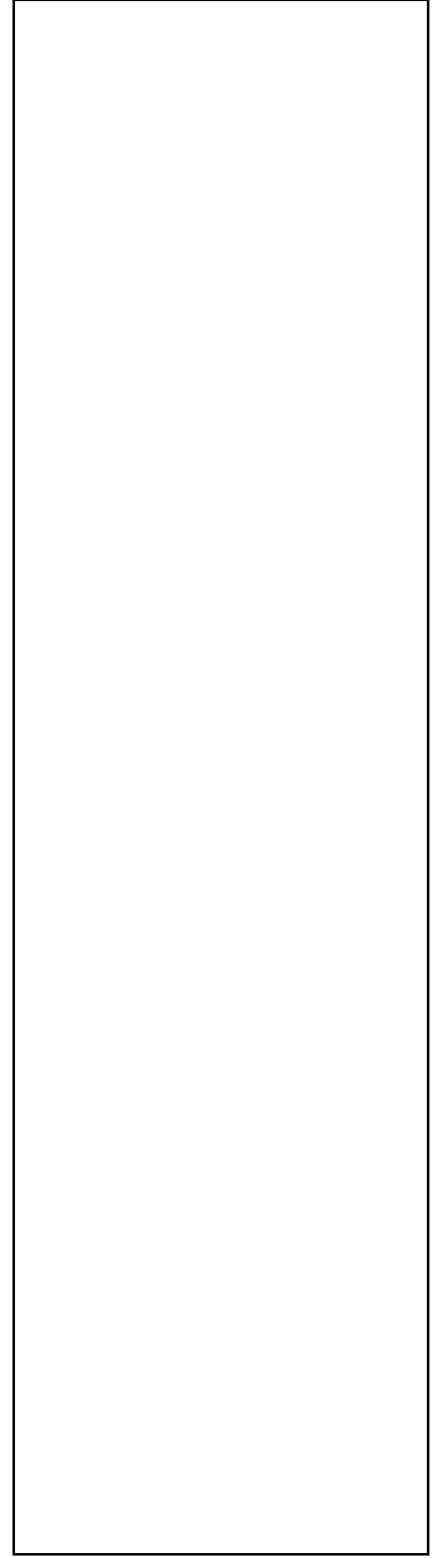
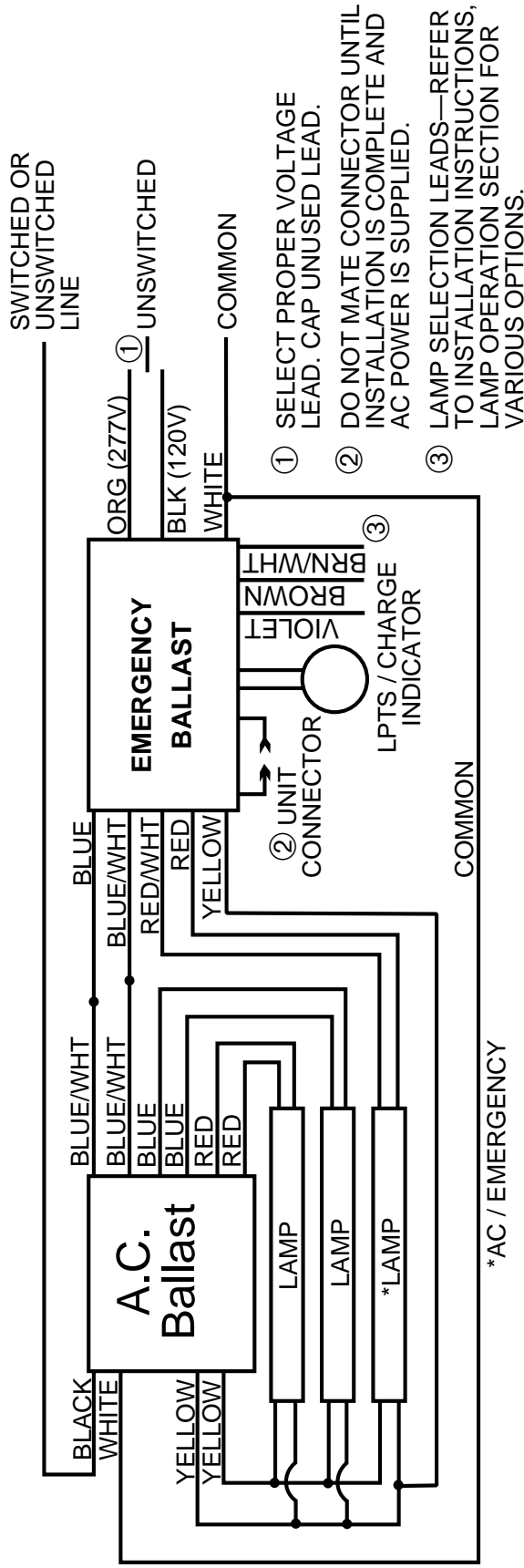
VCN 3P32

ALL COMPATIBLE BALLASTS MAY NOT BE LISTED.
 *DIMMING CONTROL WIRES ARE NOT AFFECTED BY EM PACK

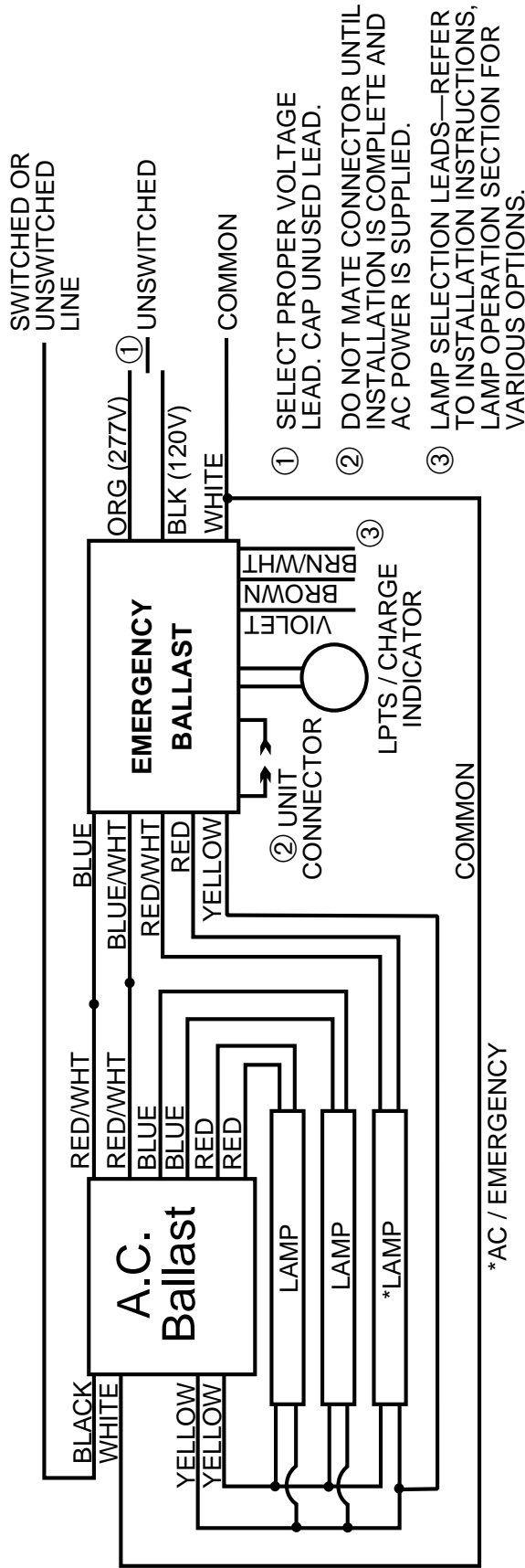
THREE LAMP RAPID START BALLAST WITH TWO LAMP EMERGENCY OPERATION



THREE LAMP RAPID START BALLAST



THREE LAMP RAPID START BALLAST

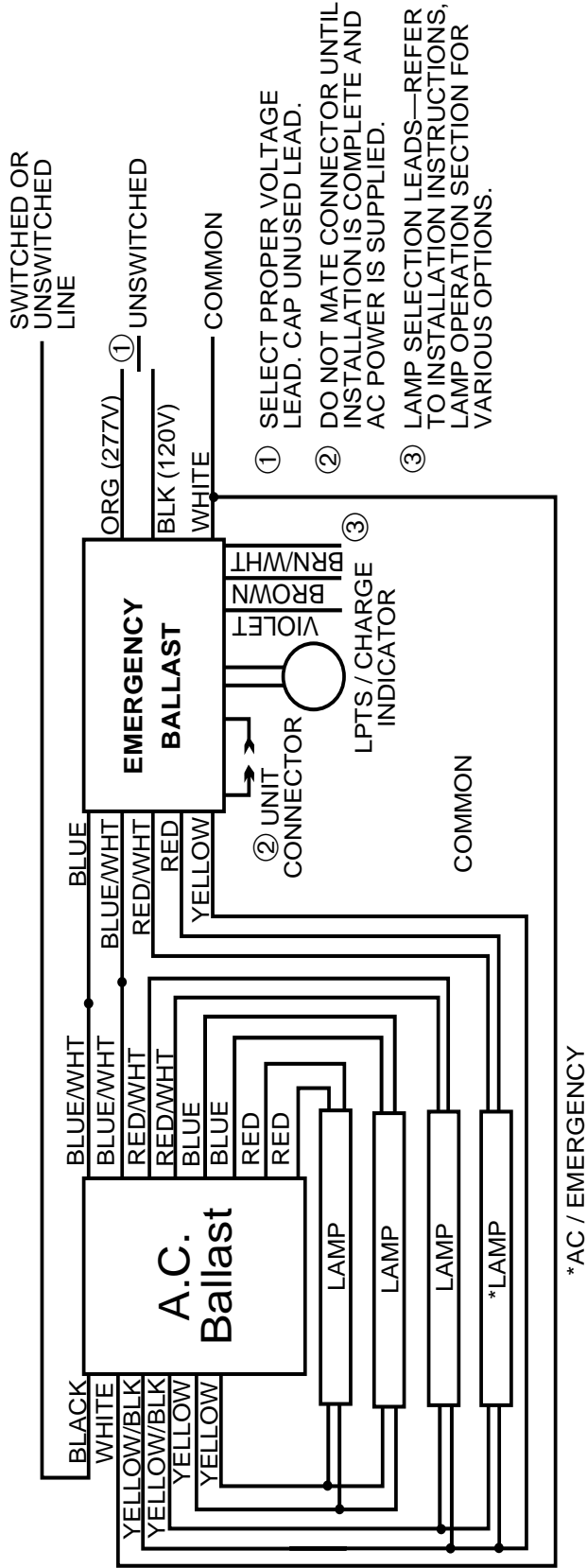


MAGNETEK

B332-R277HP
B332-R120HP

ALL COMPATIBLE BALLASTS MAY NOT BE LISTED.
*DIMMING CONTROL WIRES ARE NOT AFFECTED BY EM PACK

FOUR LAMP RAPID START BALLAST



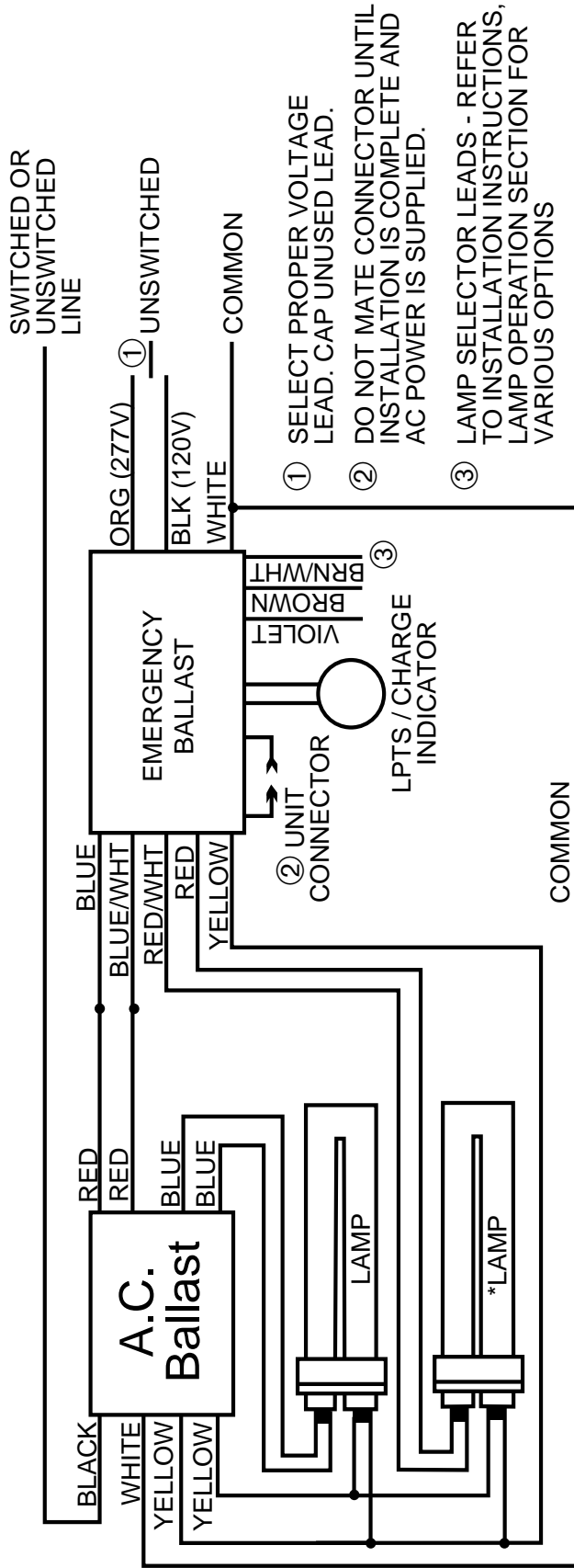
MAGNETEK

B432 R277 HP

ALL COMPATIBLE BALLASTS MAY NOT BE LISTED.
 *DIMMING CONTROL WIRES ARE NOT AFFECTED BY EM PACK

2CLRSB2_160

TWO COMPACT LAMP RAPID START BALLAST



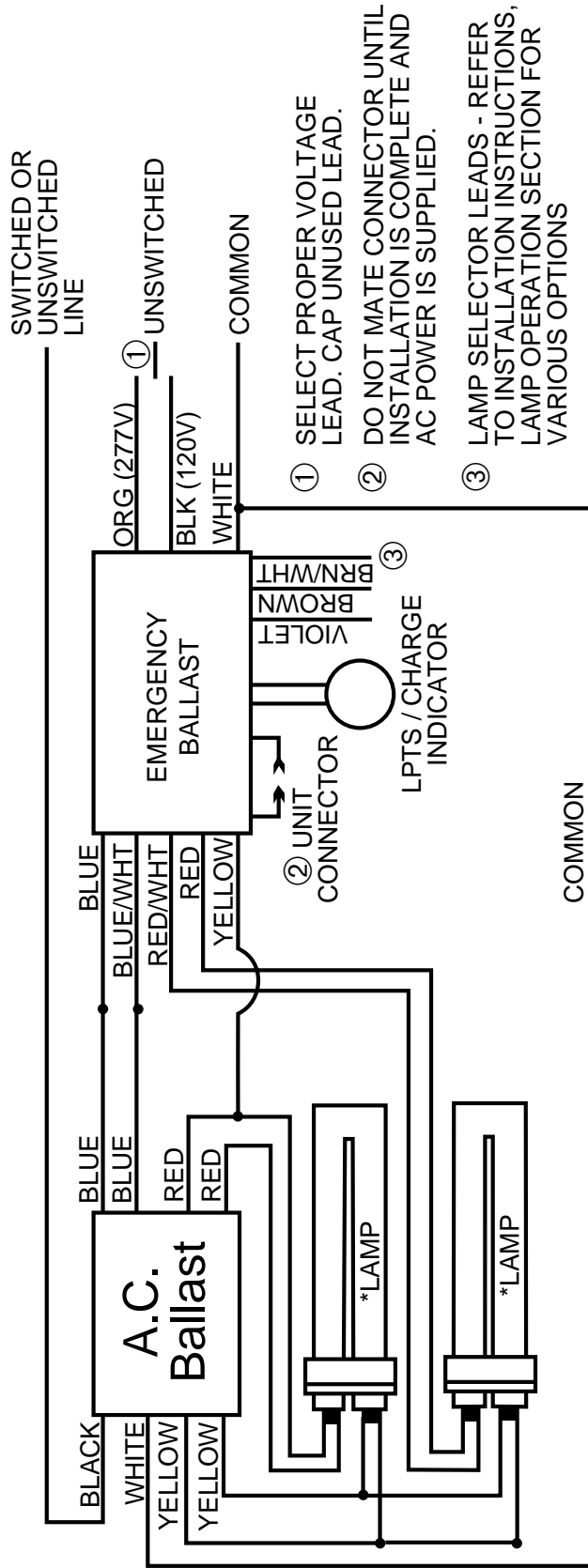
ENERGY SAVINGS

ES-2/1-CFQ-26-UNV-C or D

ALL COMPATIBLE BALLASTS MAY NOT BE LISTED.
 *DIMMING CONTROL WIRES ARE NOT AFFECTED BY EM PACK

2BXLRSB2LEO_160

TWO COMPACT RAPID START BALLAST TWO LAMP OPERATION



- ① SELECT PROPER VOLTAGE LEAD. CAP UNUSED LEAD.
- ② DO NOT MATE CONNECTOR UNTIL INSTALLATION IS COMPLETE AND AC POWER IS SUPPLIED.
- ③ LAMP SELECTOR LEADS - REFER TO INSTALLATION INSTRUCTIONS, LAMP OPERATION SECTION FOR VARIOUS OPTIONS

*AC / EMERGENCY

ADVANCE

R/V-2BS27-TP
R/V-2BS39-TP
R/V-2BS40-TP

LUTRON

ECO-T540-120/277-2

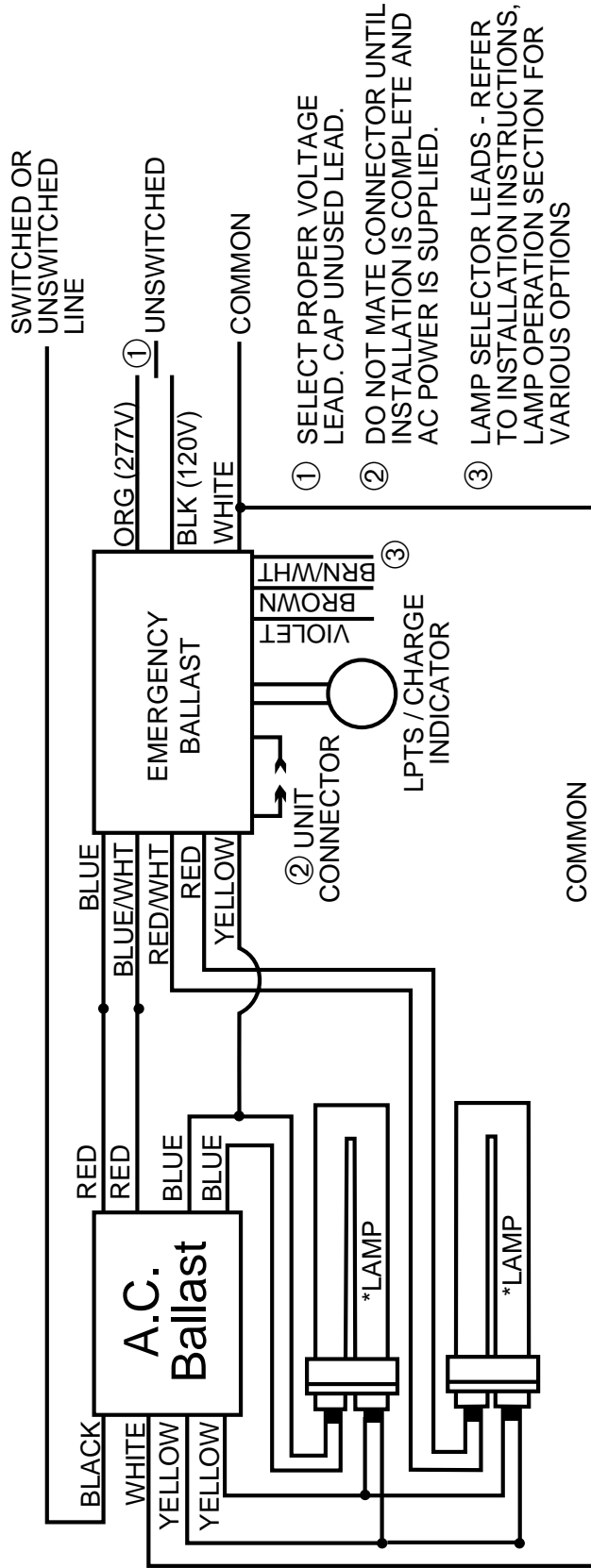
MOTOROLA

M2-CF-26-S-277
M2-RN-T5/40-1LL-B-120/277

ALL COMPATIBLE BALLASTS MAY NOT BE LISTED.
*DIMMING CONTROL WIRES ARE NOT AFFECTED BY EM PACK

2BXLRSB2LEO2_160

TWO COMPACT RAPID START BALLAST TWO LAMP OPERATION



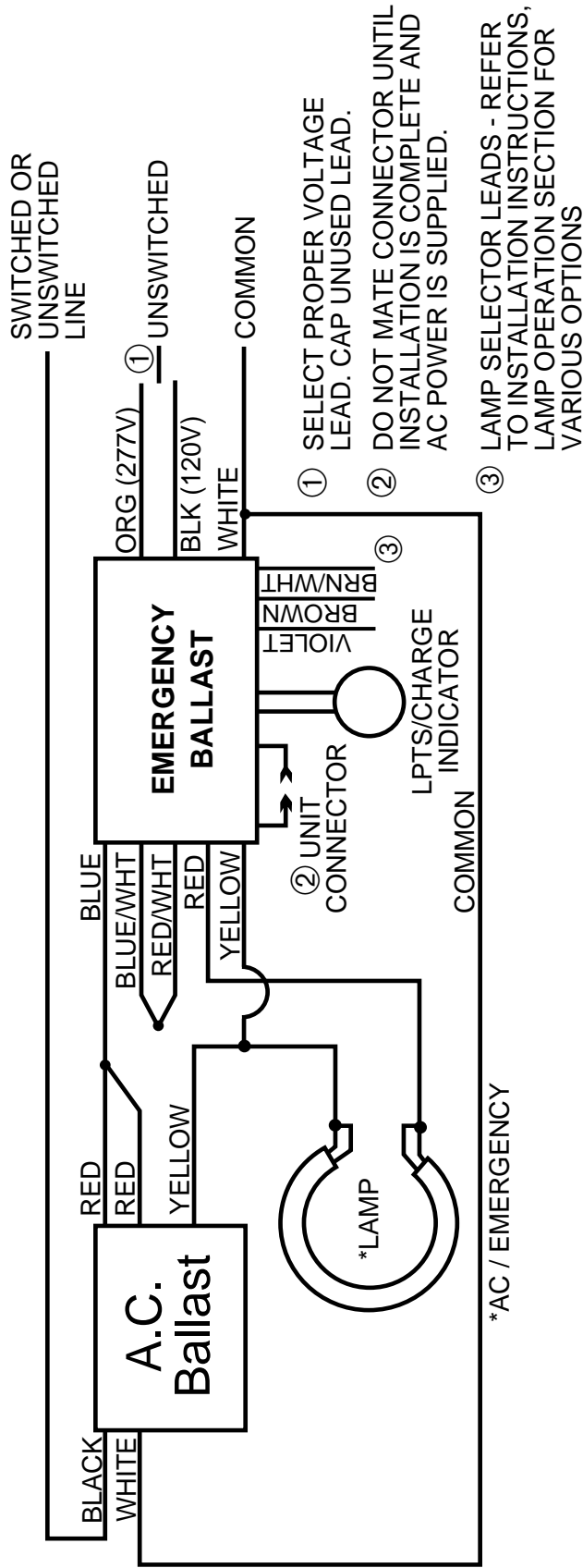
ENERGY SAVINGS

ES-2/1-CFQ-26-UNV-C or D

ALL COMPATIBLE BALLASTS MAY NOT BE LISTED.
*DIMMING CONTROL WIRES ARE NOT AFFECTED BY EM PACK

1LCRSB_160F

ONE LAMP CIRCLINE RAPID START BALLAST

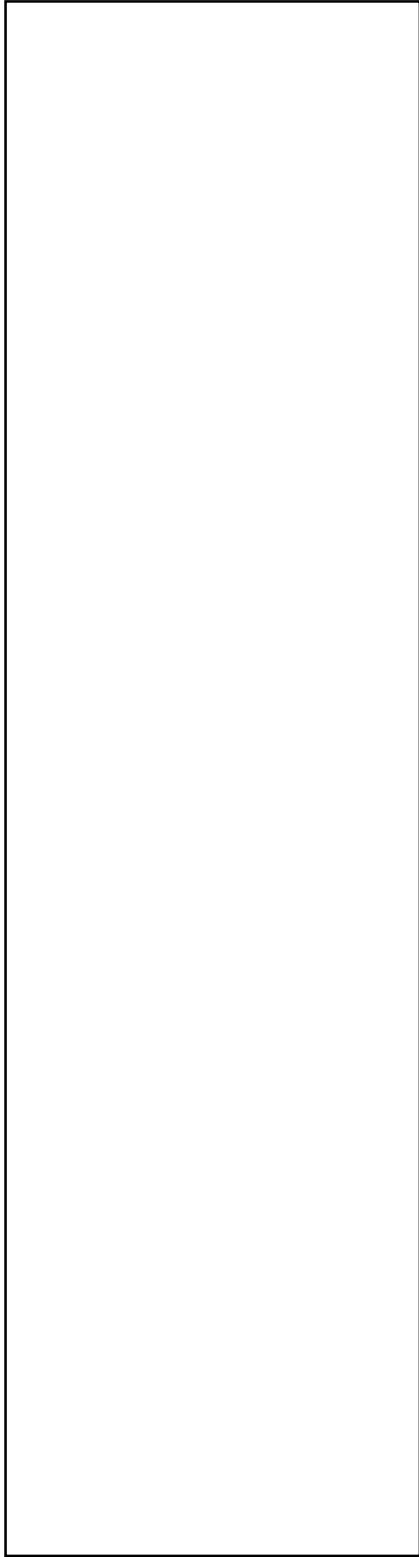
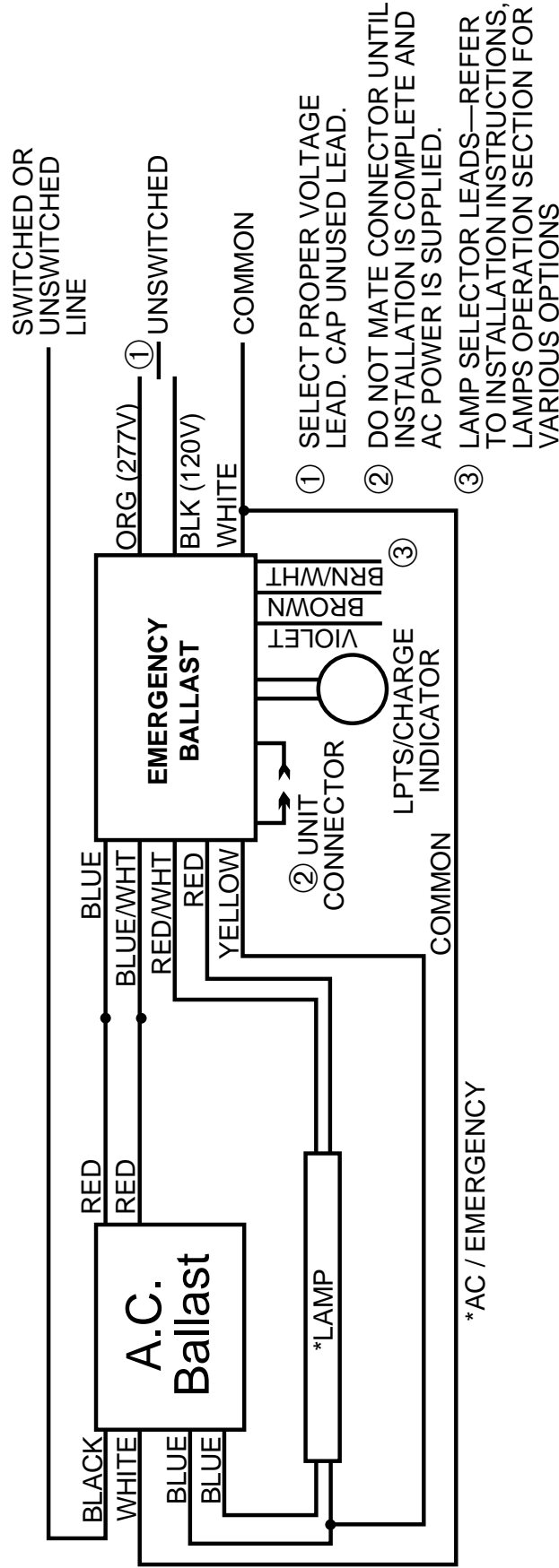


FULLHAM

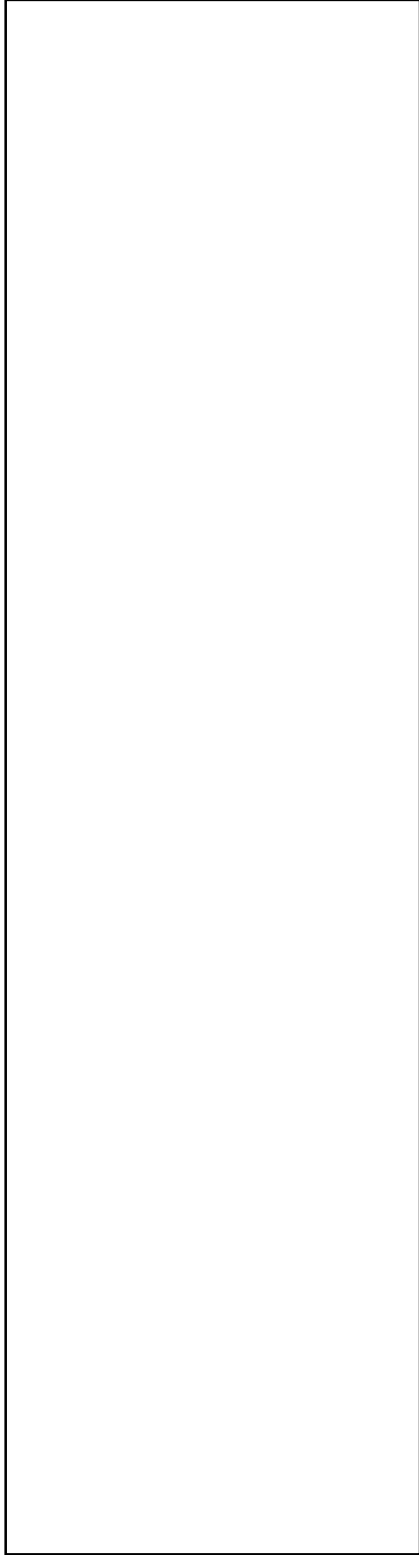
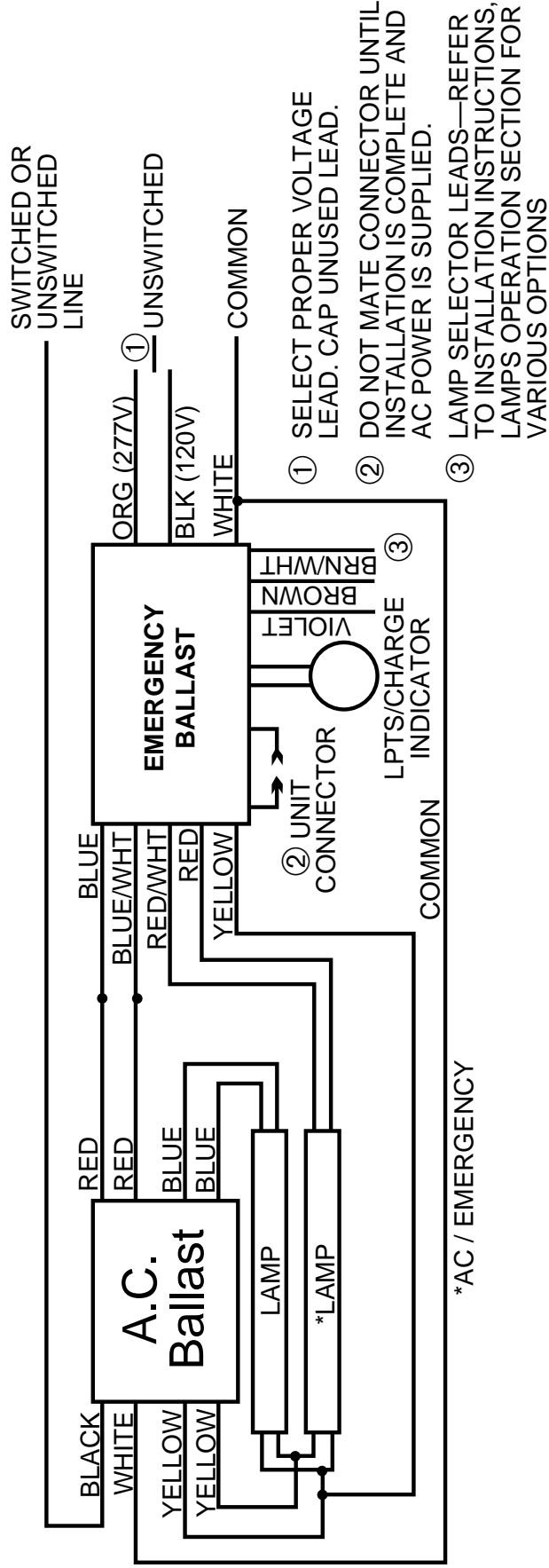
WH3

ALL COMPATIBLE BALLASTS MAY NOT BE LISTED.
 *DIMMING CONTROL WIRES ARE NOT AFFECTED BY EM PACK

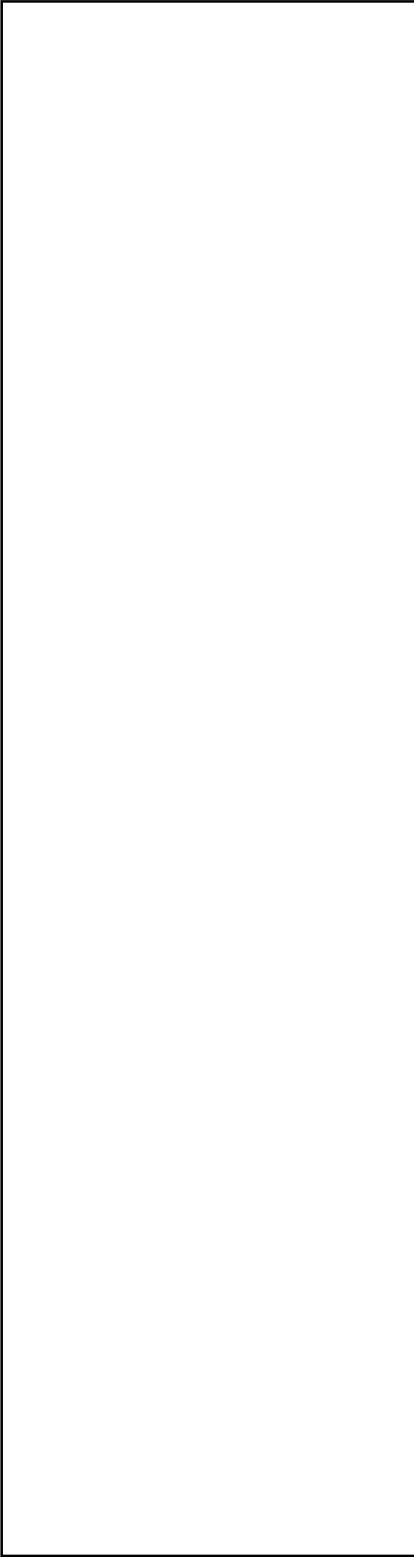
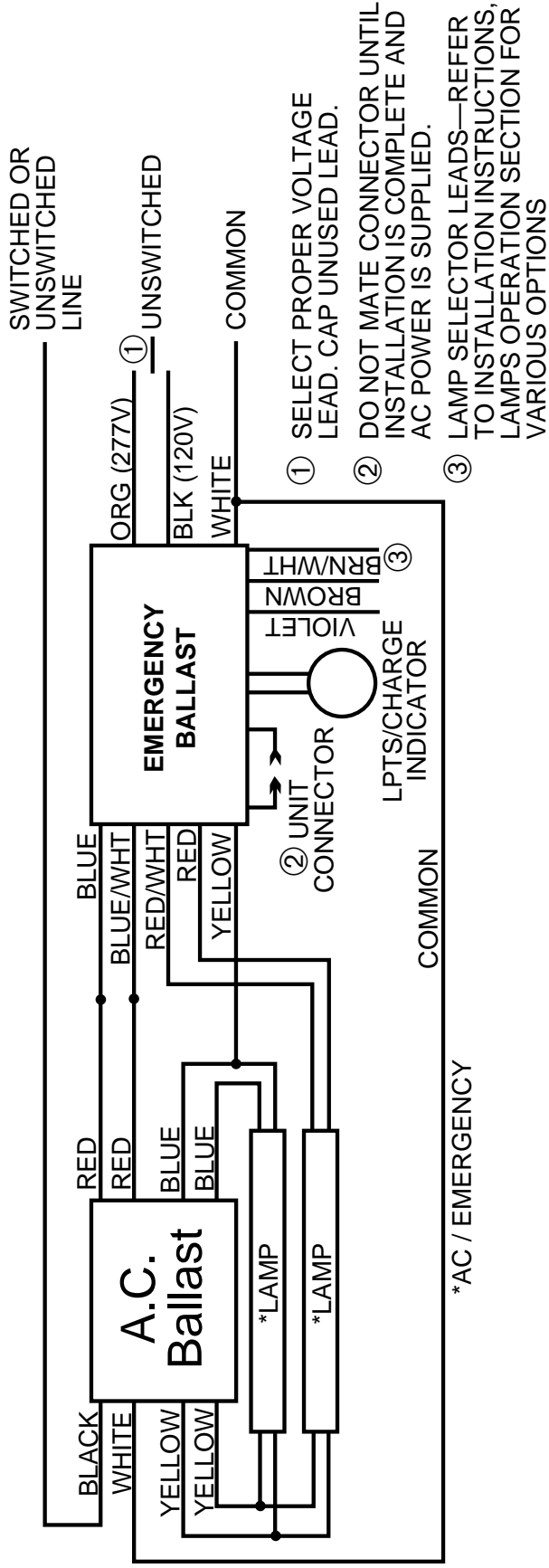
ONE LAMP RAPID START BALLAST



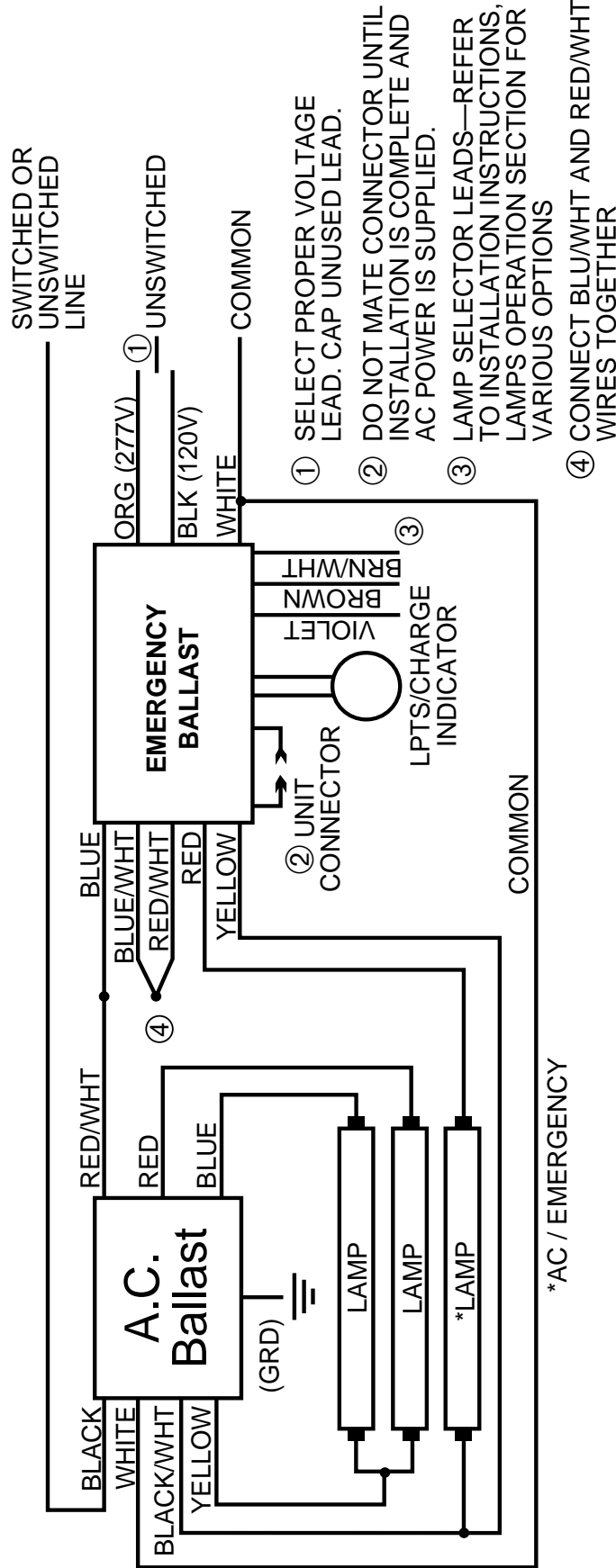
TWO LAMP RAPID START BALLAST



TWO LAMP RAPID START BALLAST WITH TWO LAMP EMERGENCY OPERATION



THREE LAMP INSTANT START BALLAST



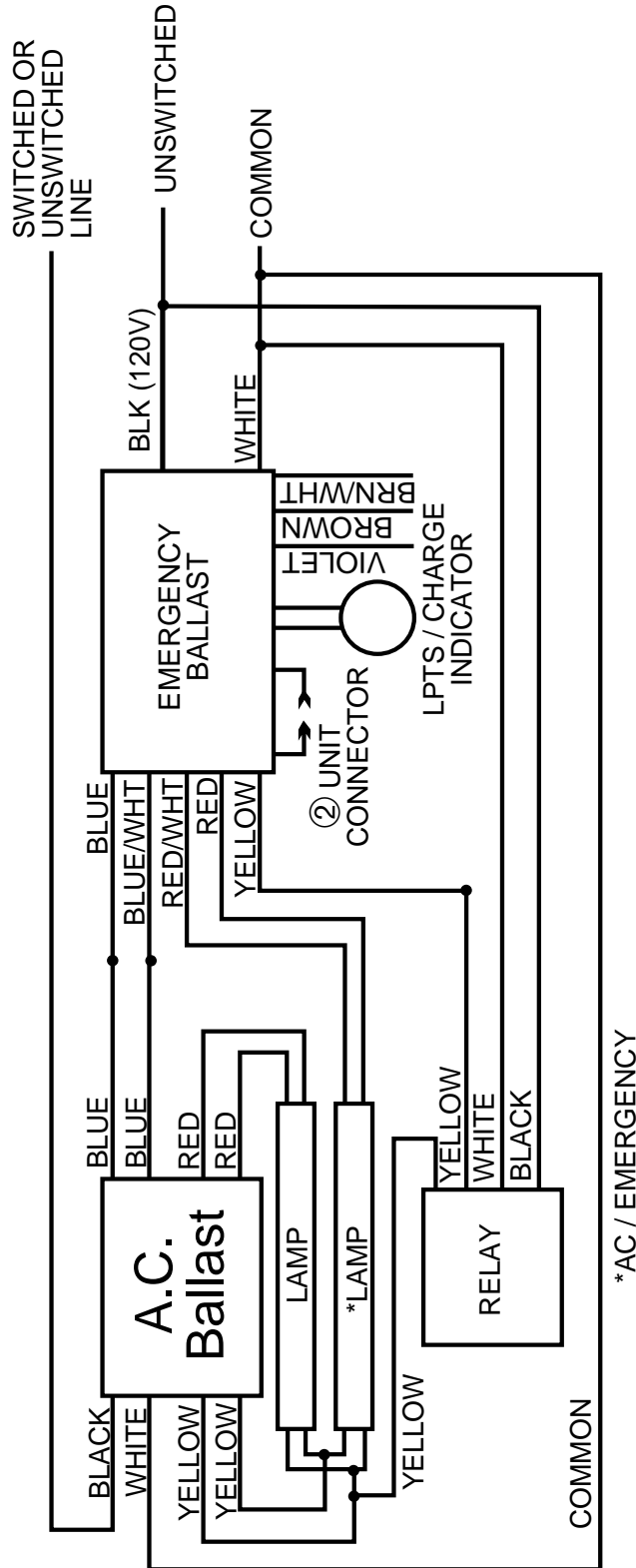
ENERGY SAVINGS

ES-4/3-T8-32/25/17-UNV-B-IS

ALL COMPATIBLE BALLASTS MAY NOT BE LISTED.
*DIMMING CONTROL WIRES ARE NOT AFFECTED BY EM PACK

2LR5BWR_160

TWO LAMP RAPID START BALLAST WITH RELAY



* AC / EMERGENCY

ADVANCE

RIC/VIC-2S32
REZ/VEZ-2S32
RZT/VZT-2S32*

LUTRON

ECO-T832-120/277-2*
FDB-4827-120/277-2*

MAGNETEK

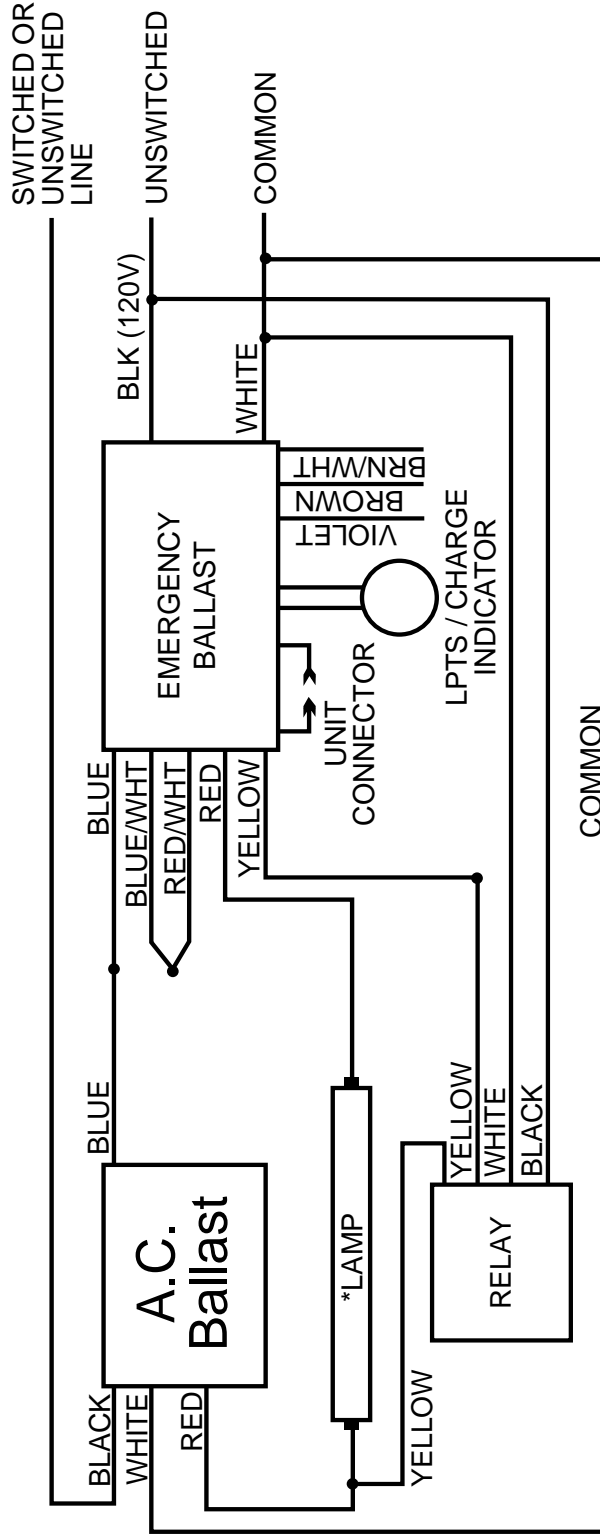
B232 R277 HP

MOTOROLA

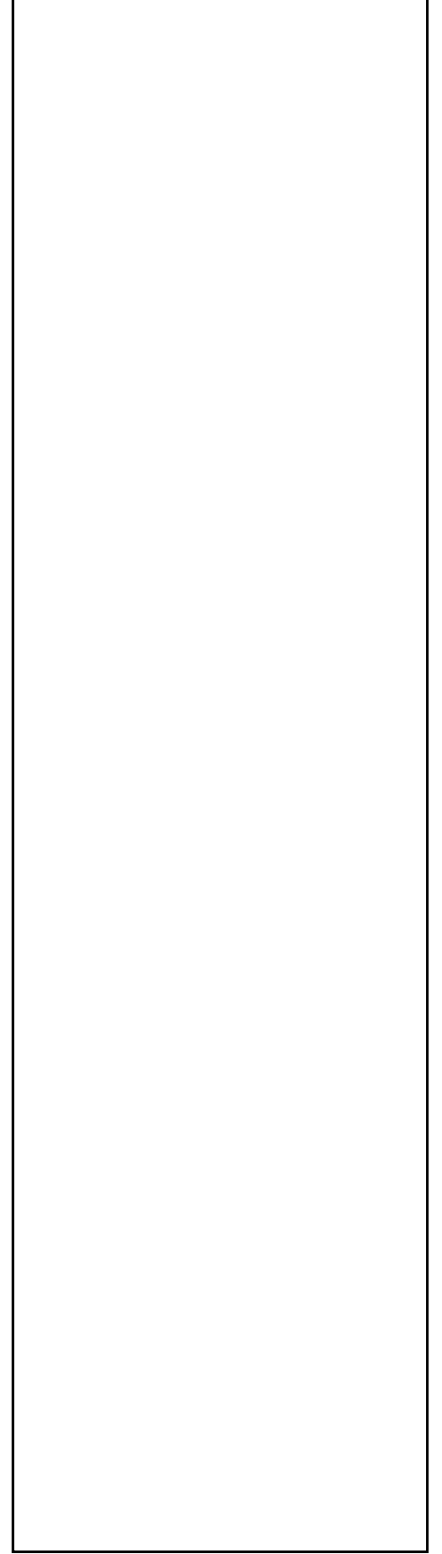
M2-RH-T8-1LL-B-120/277
M2-RL-T8-1LL-A-120/277
M2-RN-T12-1LL-B-120/277
M2-RN-T8-10C-B-120/277
M2-RN-T8-1LL-D-120/277

*DIMMING CONTROL WIRES ARE NOT AFFECTED BY EM PACK

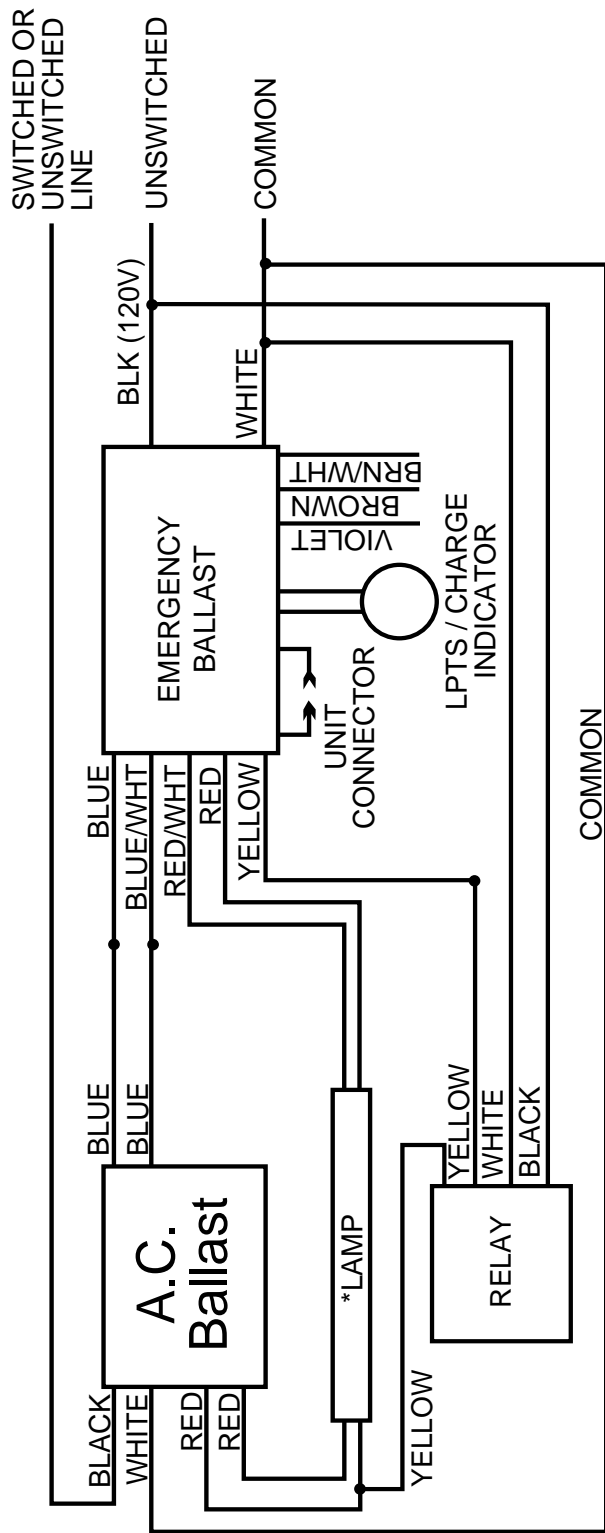
ONE LAMP INSTANT START BALLAST WITH RELAY



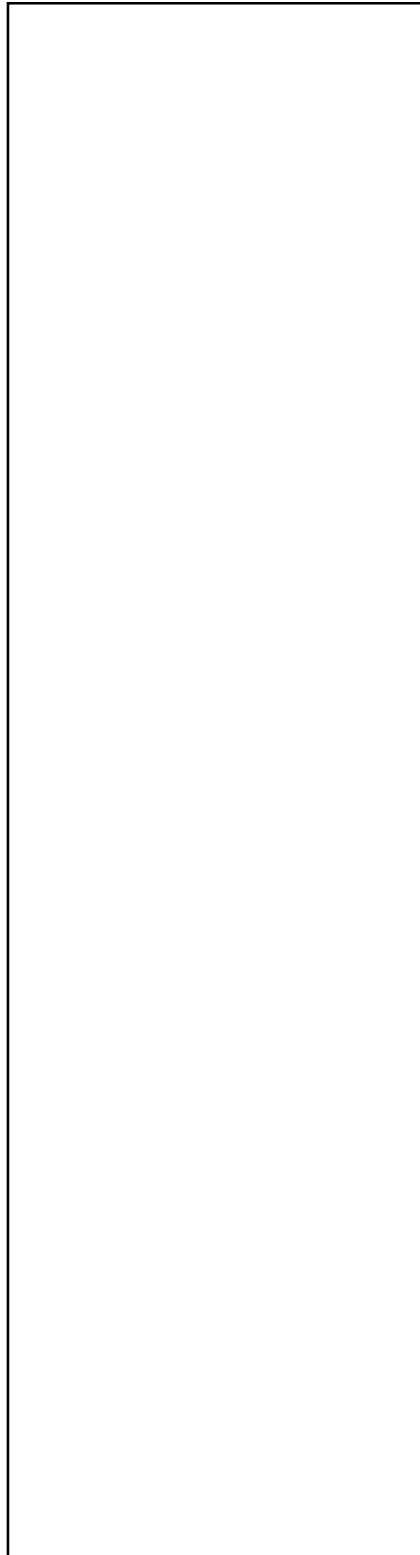
*AC / EMERGENCY



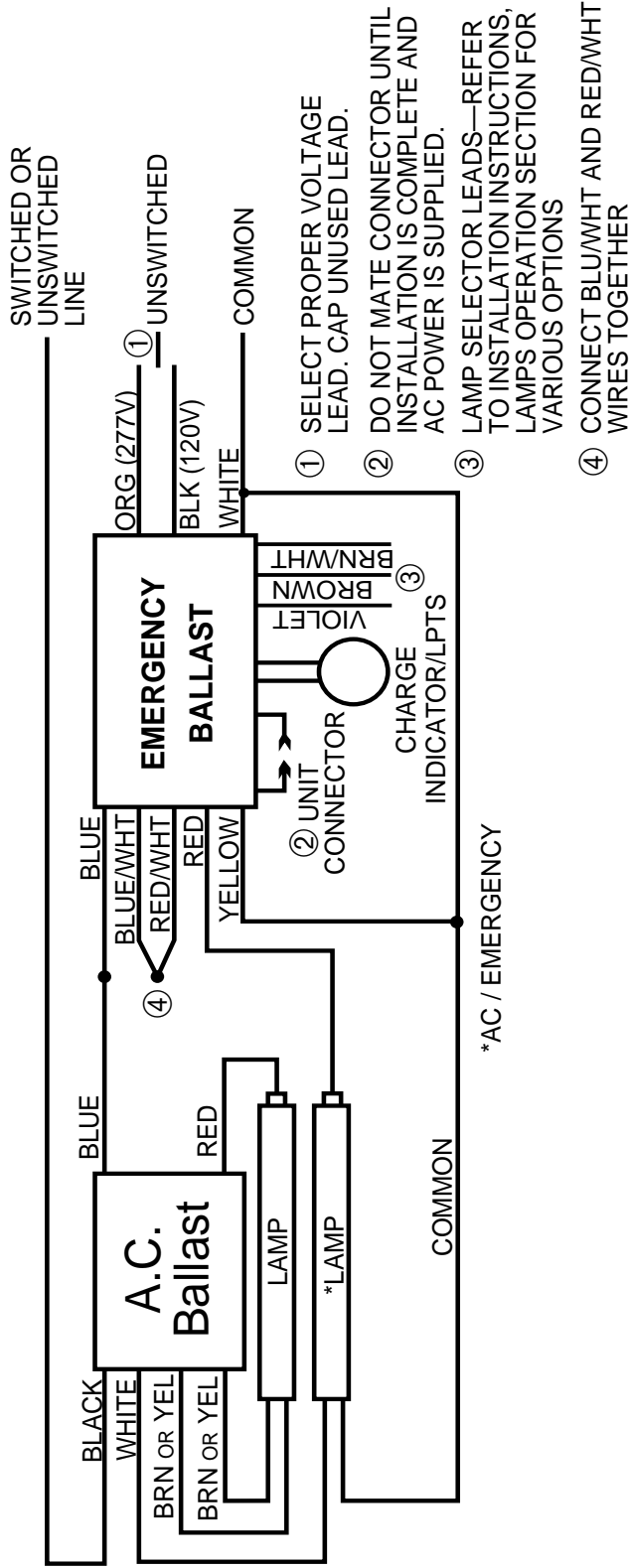
ONE LAMP RAPID START BALLAST WITH RELAY



*AC / EMERGENCY



TWO LAMP SERIES LEAD BALLAST

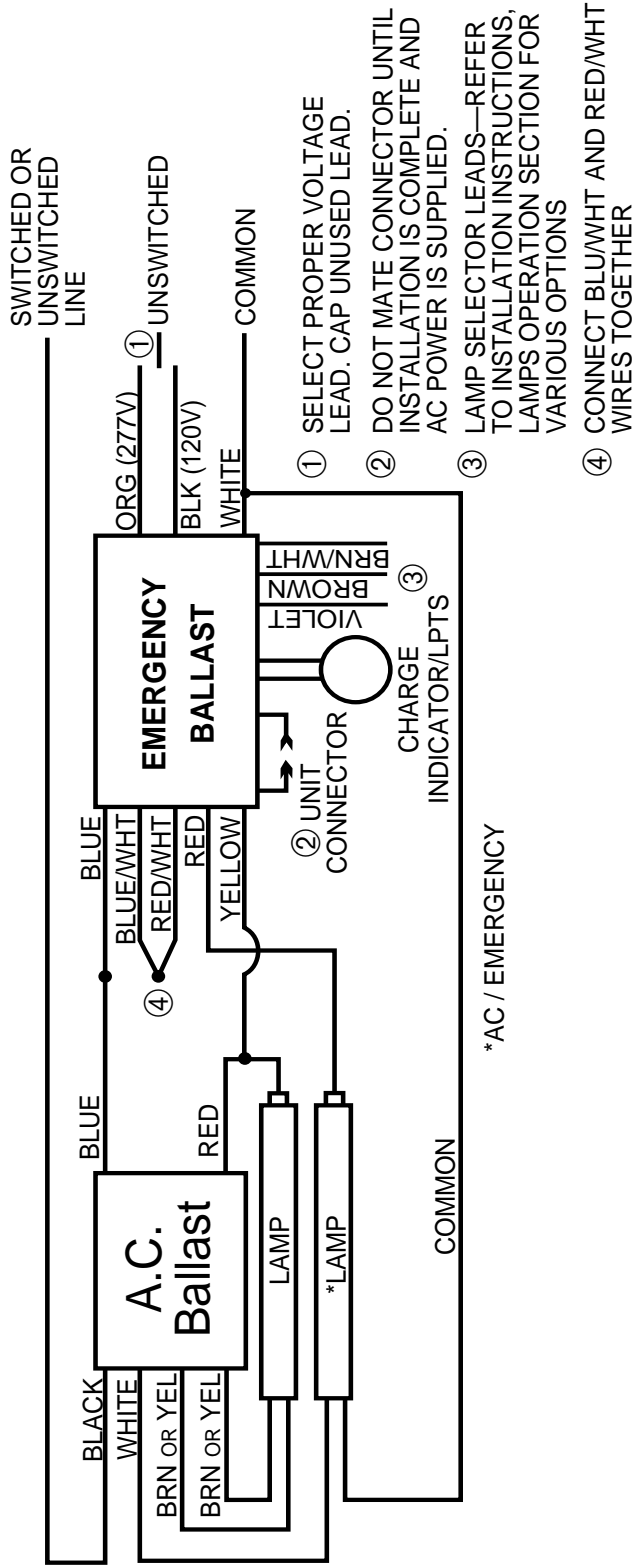


ADVANCE

V-2E75-S-TP
VSM-2E75S5-TP

ALL COMPATIBLE BALLASTS MAY NOT BE LISTED.
*DIMMING CONTROL WIRES ARE NOT AFFECTED BY EM PACK

TWO LAMP SERIES LEAD BALLAST WITH TWO LAMP EMERGENCY OPERATION



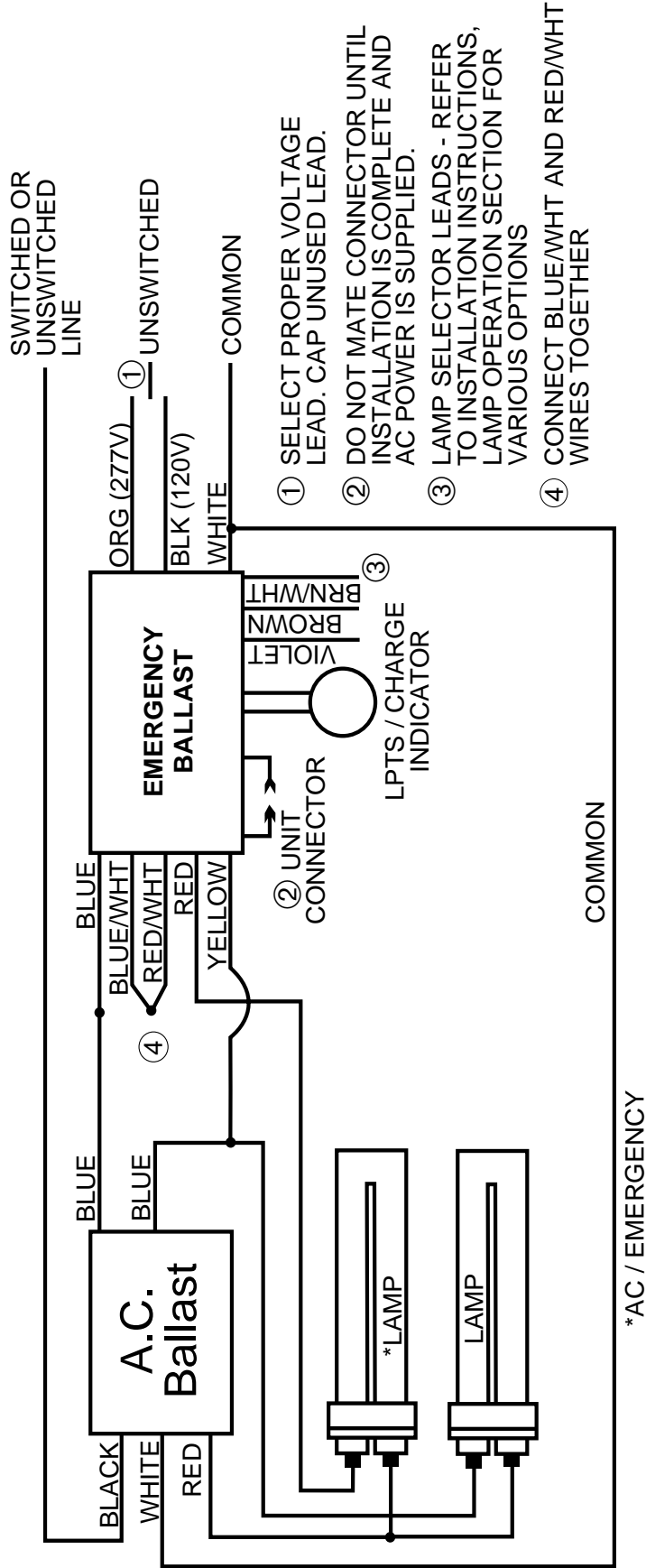
ADVANCE

VSM-2E75S5-TP

ALL COMPATIBLE BALLASTS MAY NOT BE LISTED.
*DIMMING CONTROL WIRES ARE NOT AFFECTED BY EM PACK

2LISBX_2LEO_160

TWO BIAX LAMP INSTANT START BALLAST TWO LAMP EMERGENCY OPERATION



MAGNETEK

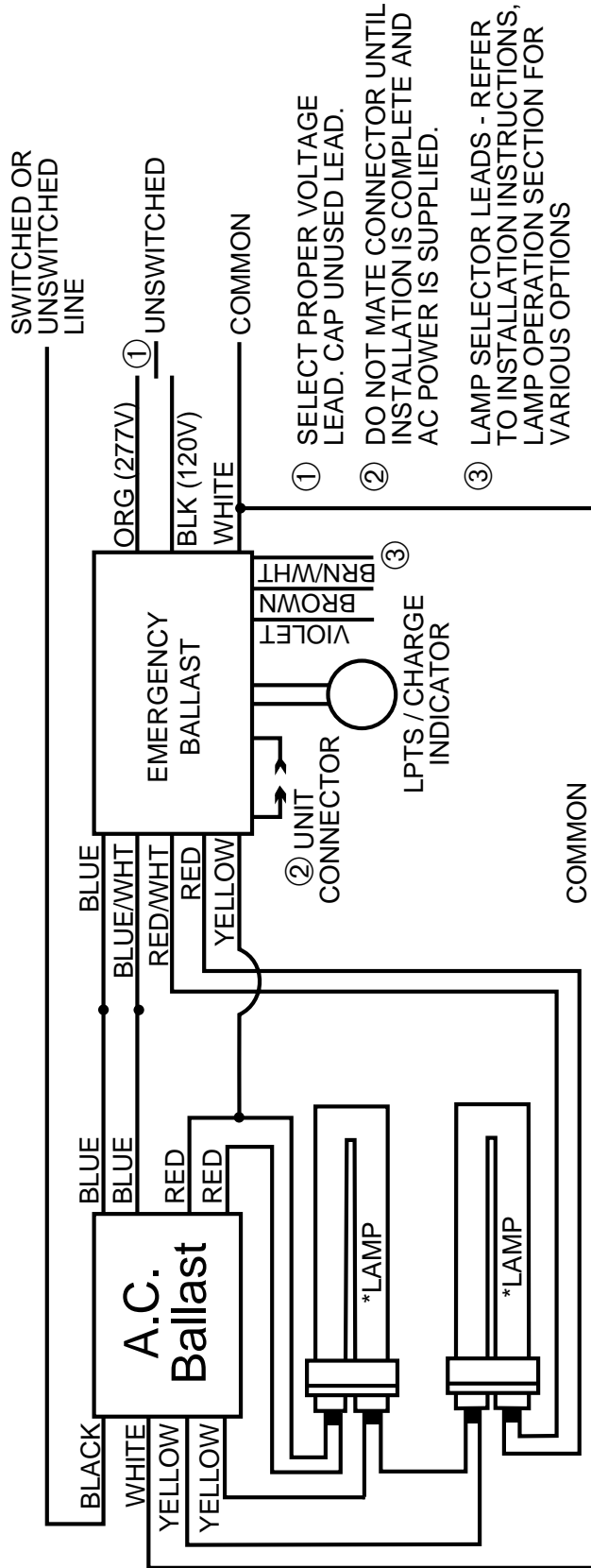
B2321120/277HP
B2321120/277RH

MOTOROLA

M2-IL-T8-GP-D-120/277
M2-IN-T8-D-120/277
M2-IN-T8-1LL-D-120/277
M2-IN-T8-8FT-A-120/277
M2-IN-T8-8GP-A-120/277
M2-IN-T8-GP-D-120/277

ALL COMPATIBLE BALLASTS MAY NOT BE LISTED.
*DIMMING CONTROL WIRES ARE NOT AFFECTED BY EM PACK

TWO COMPACT RAPID START BALLAST TWO LAMP OPERATION



- ① SELECT PROPER VOLTAGE LEAD. CAP UNUSED LEAD.
- ② DO NOT MATE CONNECTOR UNTIL INSTALLATION IS COMPLETE AND AC POWER IS SUPPLIED.
- ③ LAMP SELECTOR LEADS - REFER TO INSTALLATION INSTRUCTIONS, LAMP OPERATION SECTION FOR VARIOUS OPTIONS

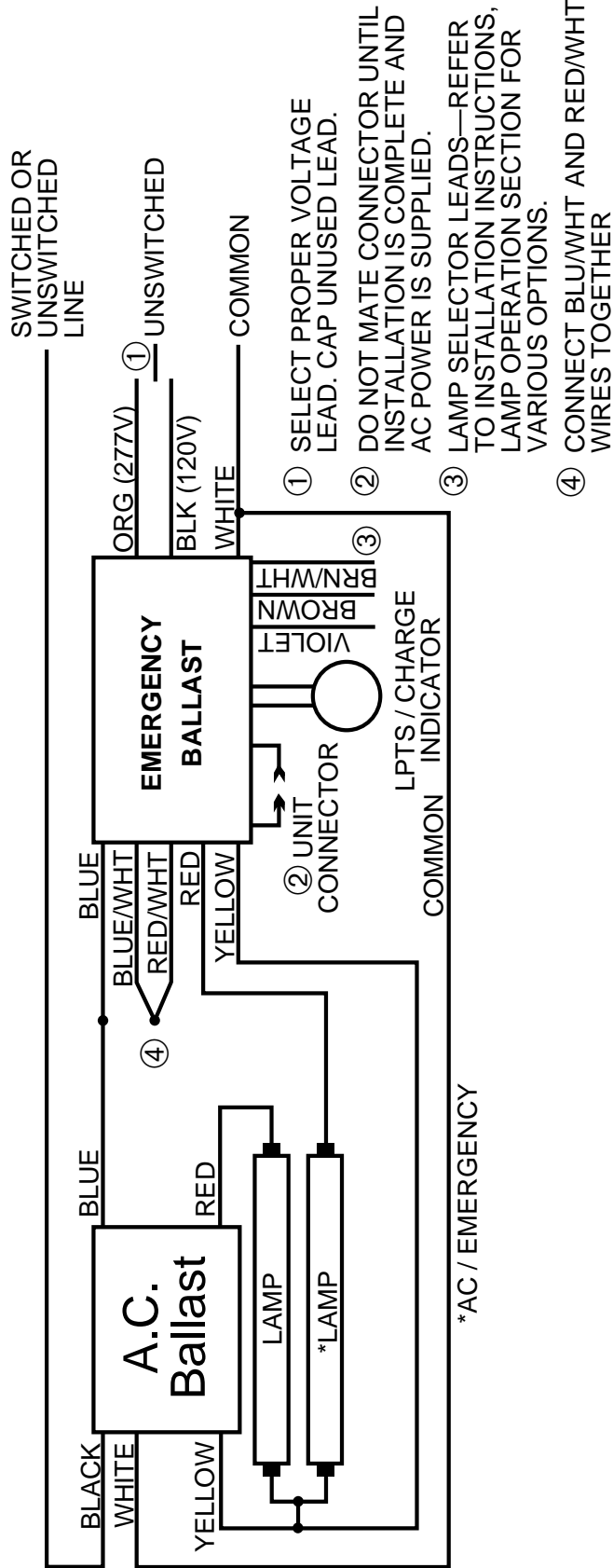
FOR 1 LAMP OPERATION REFER TO: **V62**

ANTRON/ACE
CSD UV42PS

ALL COMPATIBLE BALLASTS MAY NOT BE LISTED.
*DIMMING CONTROL WIRES ARE NOT AFFECTED BY EM PACK

2LISBESI_160

TWO LAMP INSTANT START BALLAST



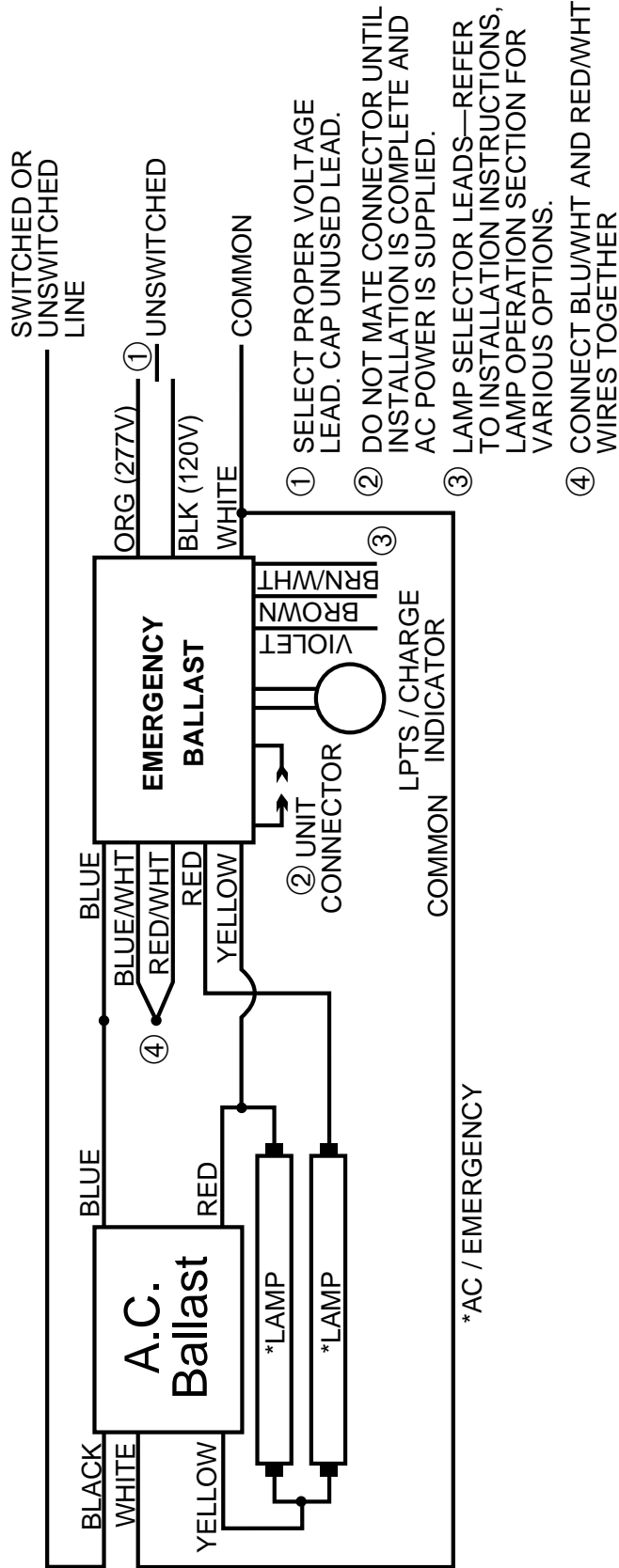
ENERGY SAVINGS

ES-2/1-T8-32/25/17/15-UNV-A-IS

ALL COMPATIBLE BALLASTS MAY NOT BE LISTED.
*DIMMING CONTROL WIRES ARE NOT AFFECTED BY EM PACK

2LISBESI_2LEO_160

TWO LAMP INSTANT START BALLAST TWO LAMP OPERATION



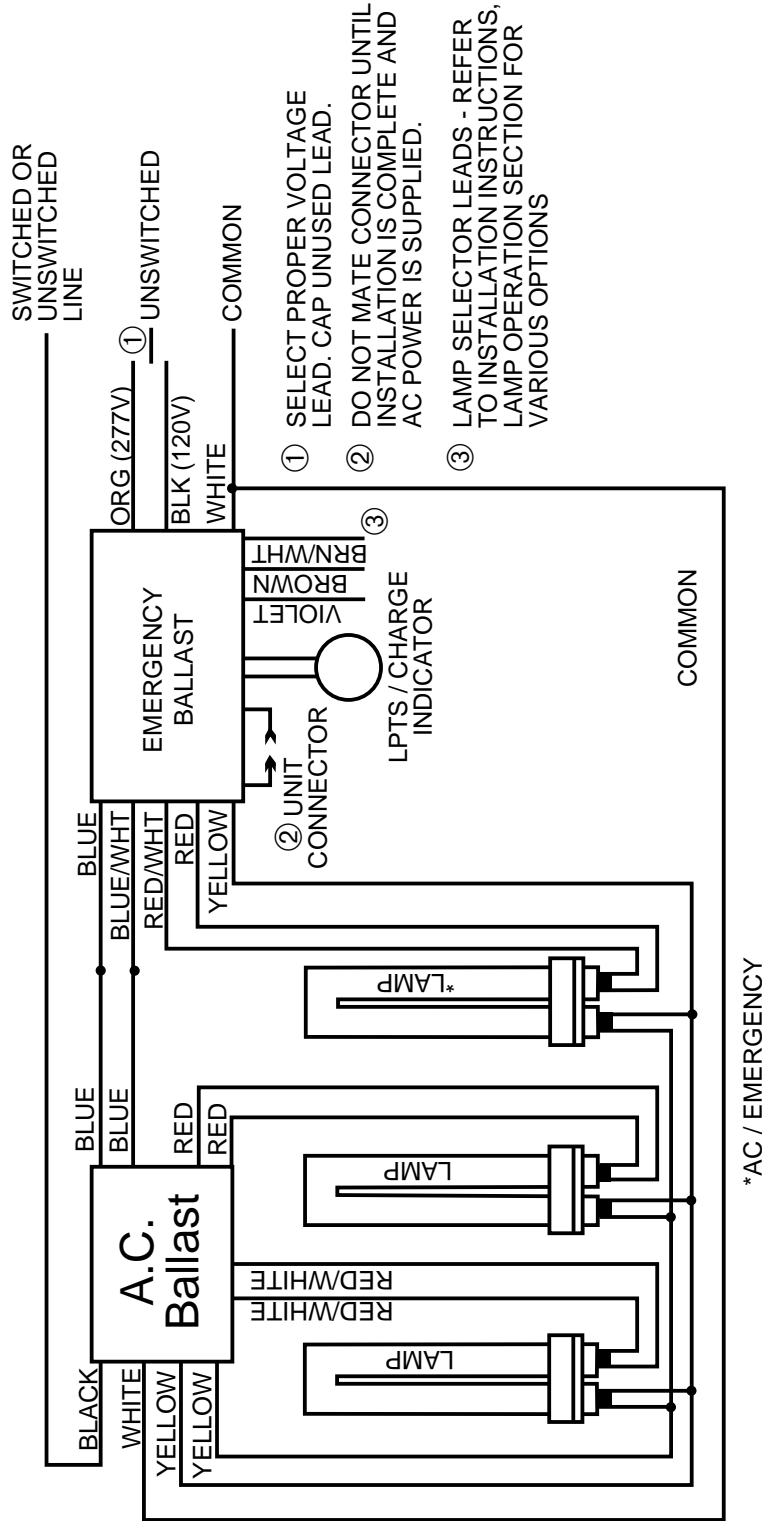
ENERGY SAVINGS

ES-2/1-T8-32/25/17/15-UNV-A-IS

ALL COMPATIBLE BALLASTS MAY NOT BE LISTED.
*DIMMING CONTROL WIRES ARE NOT AFFECTED BY EM PACK

3BXLRSB_160

THREE BIAX RAPID START BALLAST

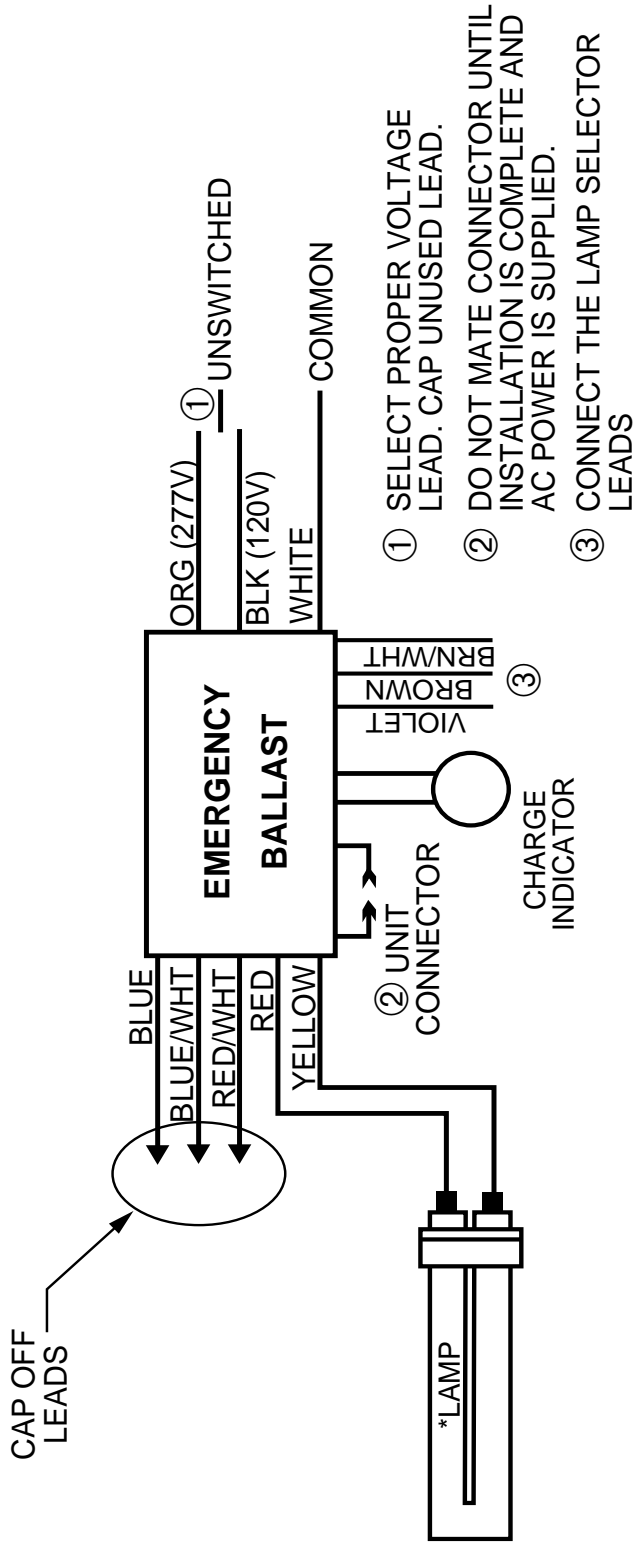


MAGNETEK

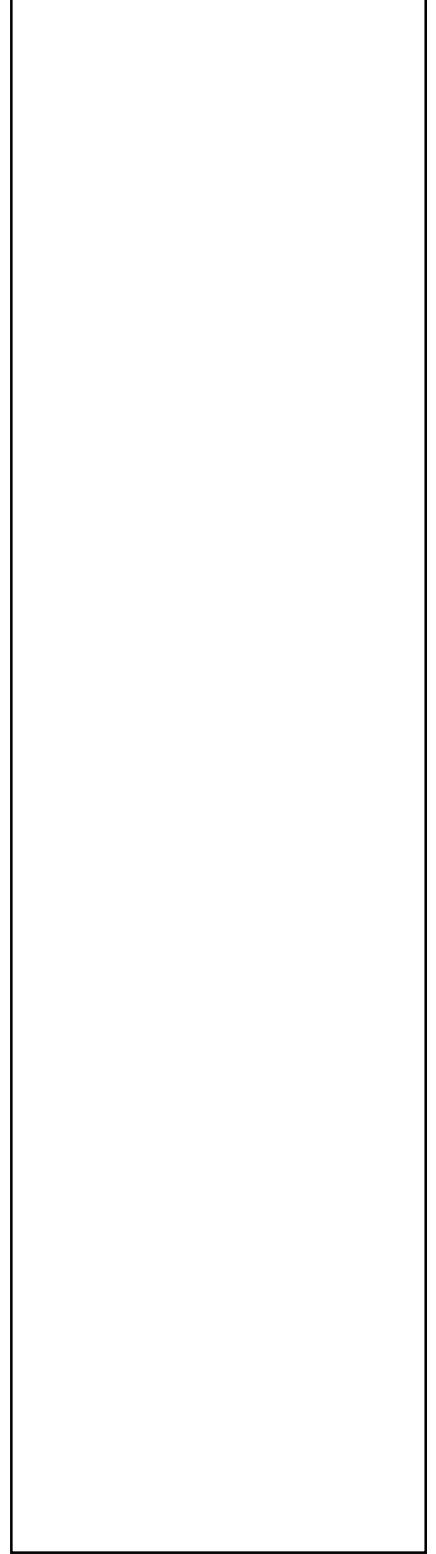
B340-R120 HP
B340-R277 HP

ALL COMPATIBLE BALLASTS MAY NOT BE LISTED.
*DIMMING CONTROL WIRES ARE NOT AFFECTED BY EM PACK

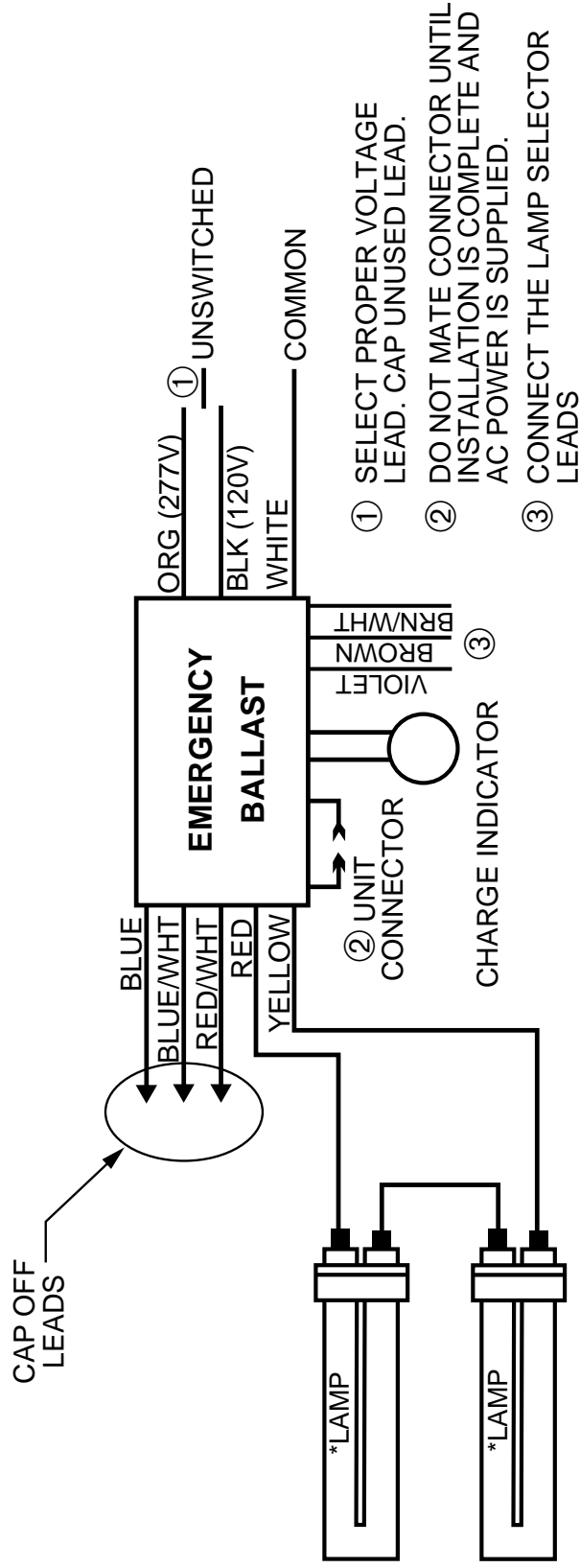
ONE COMPACT LAMP EMERGENCY ONLY



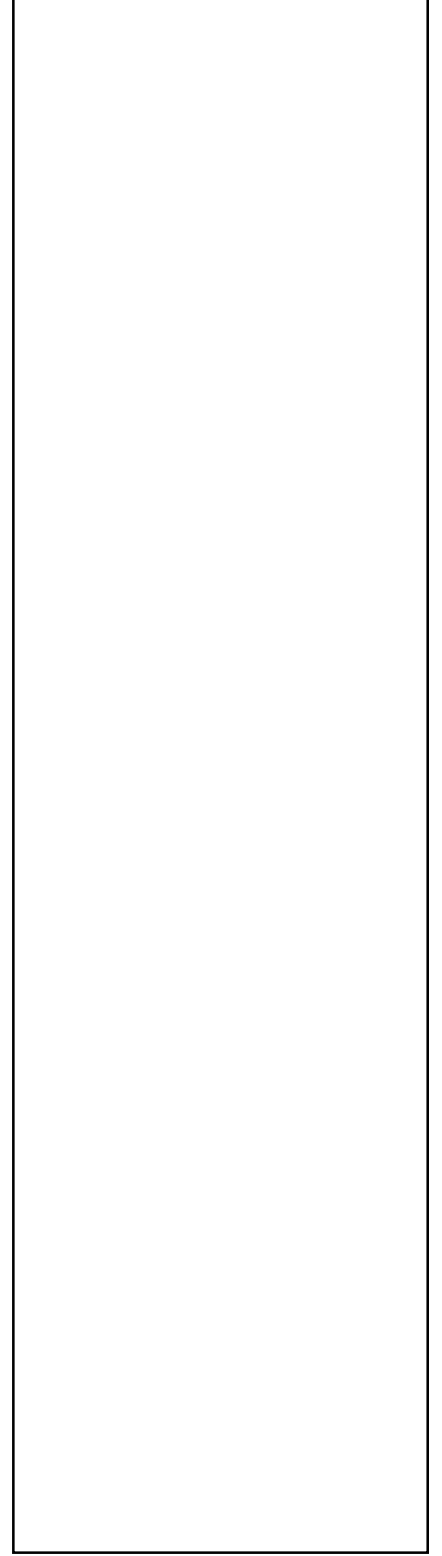
*AC / EMERGENCY



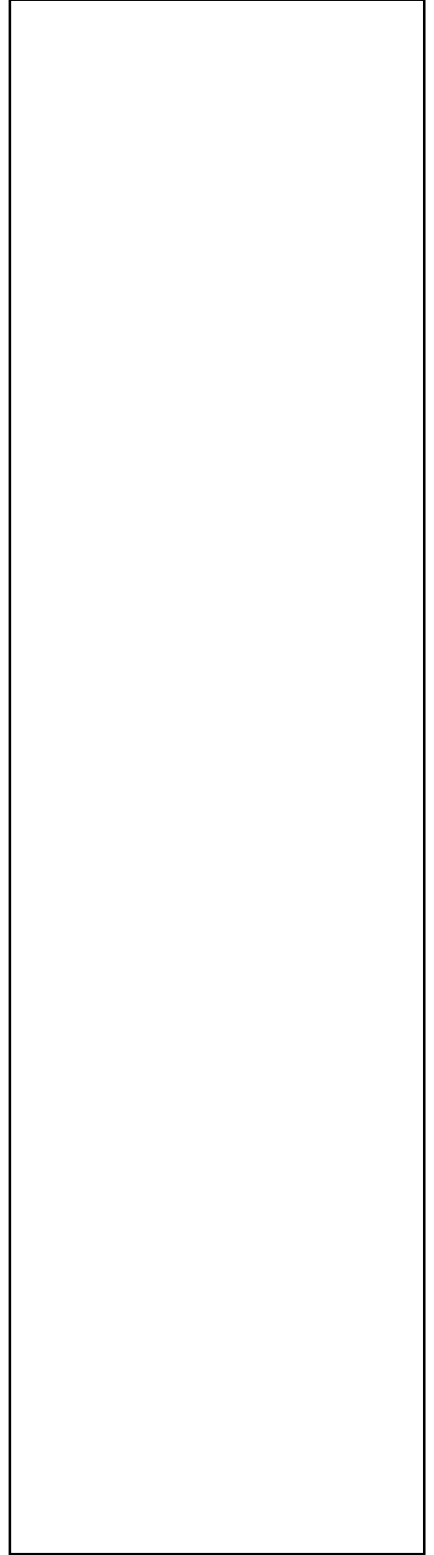
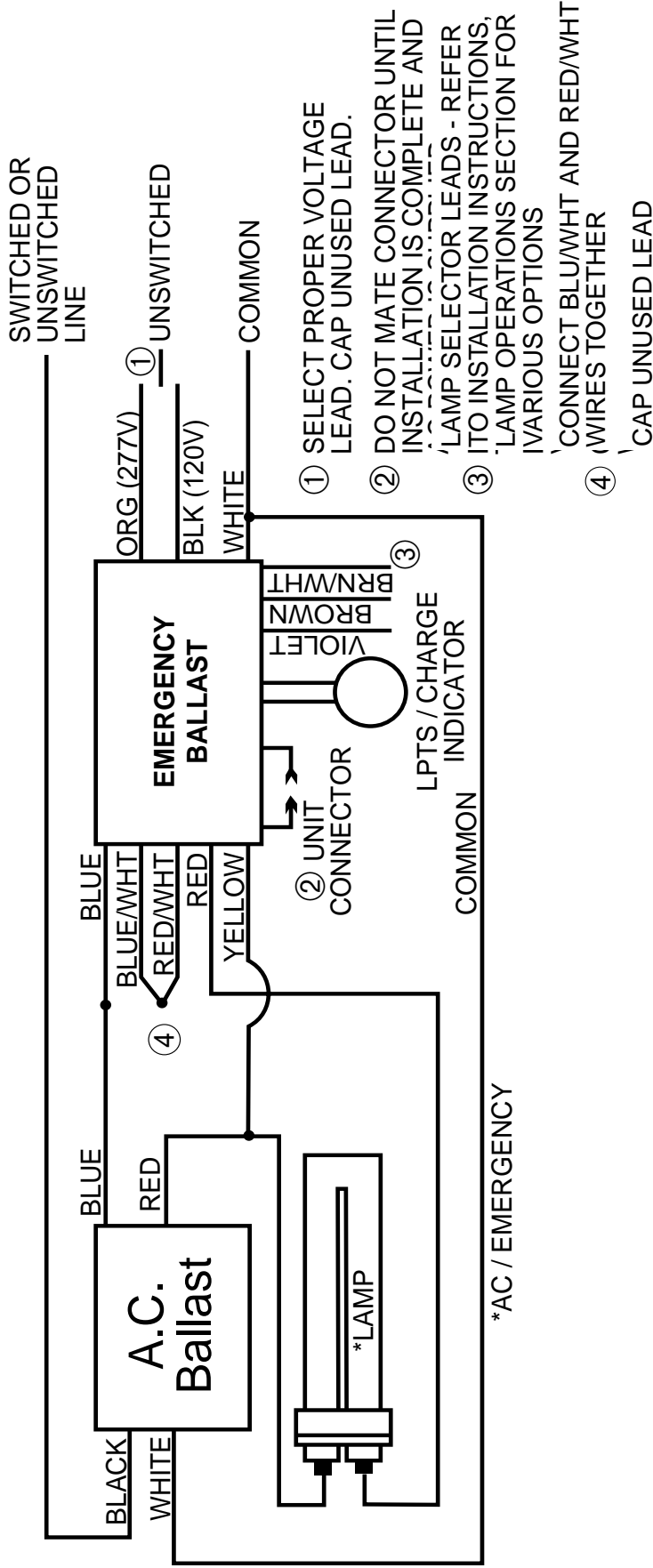
TWO COMPACT LAMP EMERGENCY ONLY



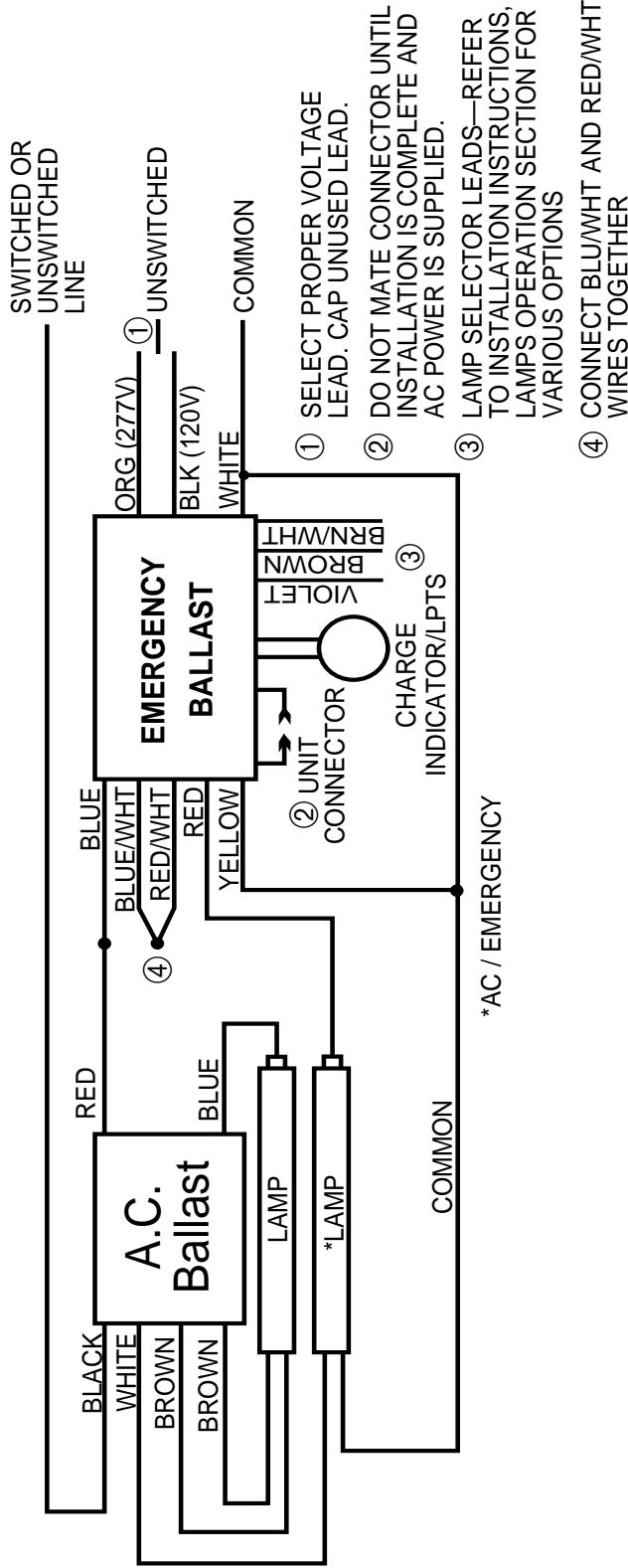
* AC / EMERGENCY



ONE LAMP INSTANT START BIAx



TWO LAMP SERIES LEAD BALLAST



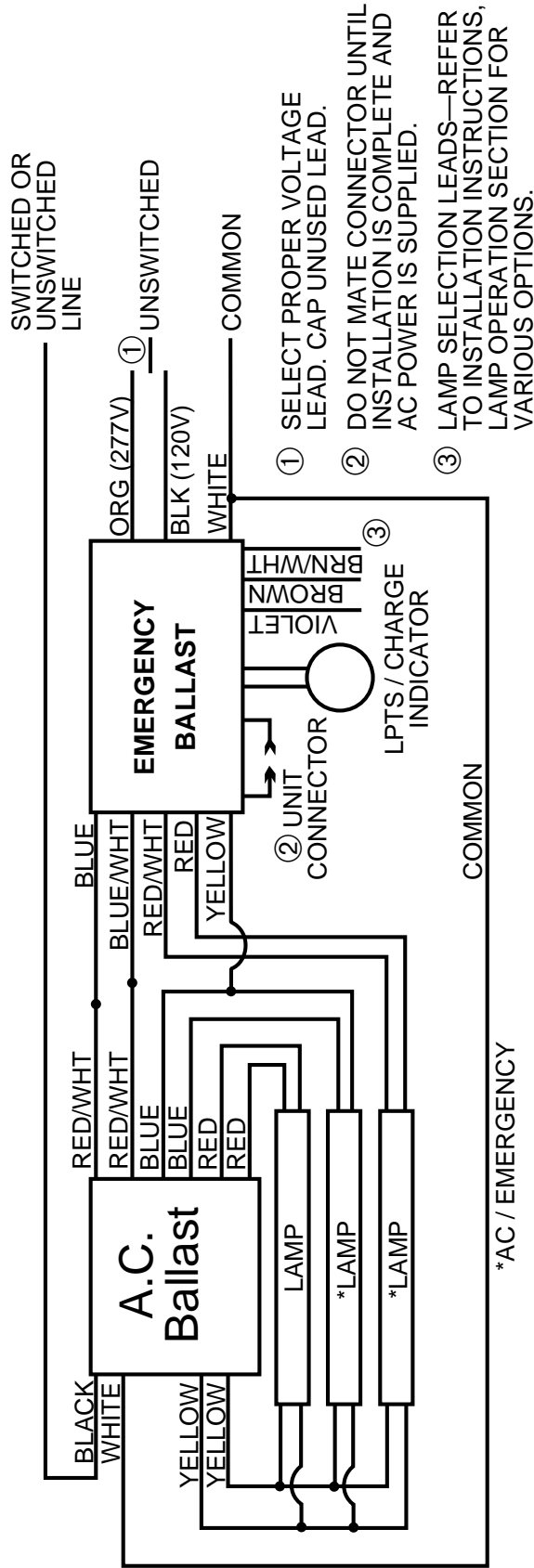
MAGNETEK

827-SLH-TC-P

ALL COMPATIBLE BALLASTS MAY NOT BE LISTED.
 *DIMMING CONTROL WIRES ARE NOT AFFECTED BY EM PACK

3LR5B3_160_2LEO

THREE LAMP RAPID START BALLAST WITH TWO LAMP OPERATION



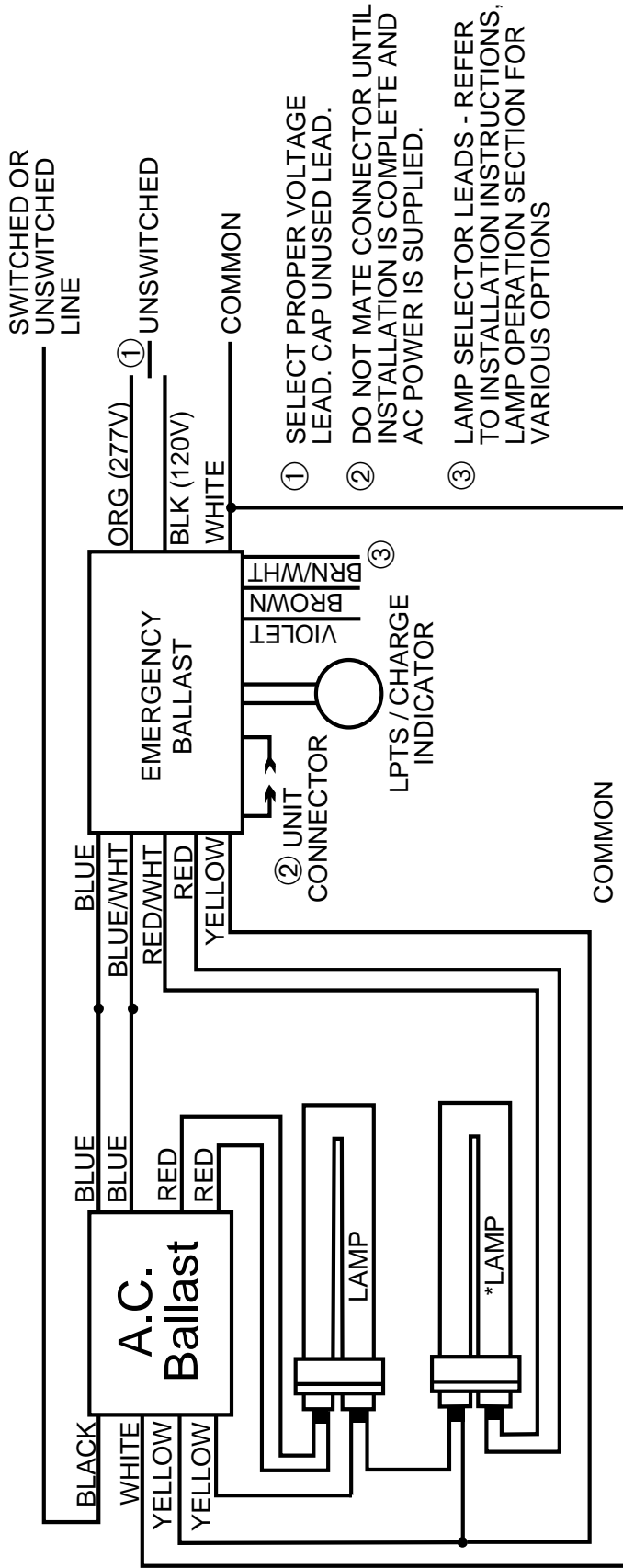
MAGNETEK

B332-R277HP
B332-R120HP

ALL COMPATIBLE BALLASTS MAY NOT BE LISTED.
*DIMMING CONTROL WIRES ARE NOT AFFECTED BY EM PACK

2BXLRSB_160

TWO COMPACT RAPID START BALLAST

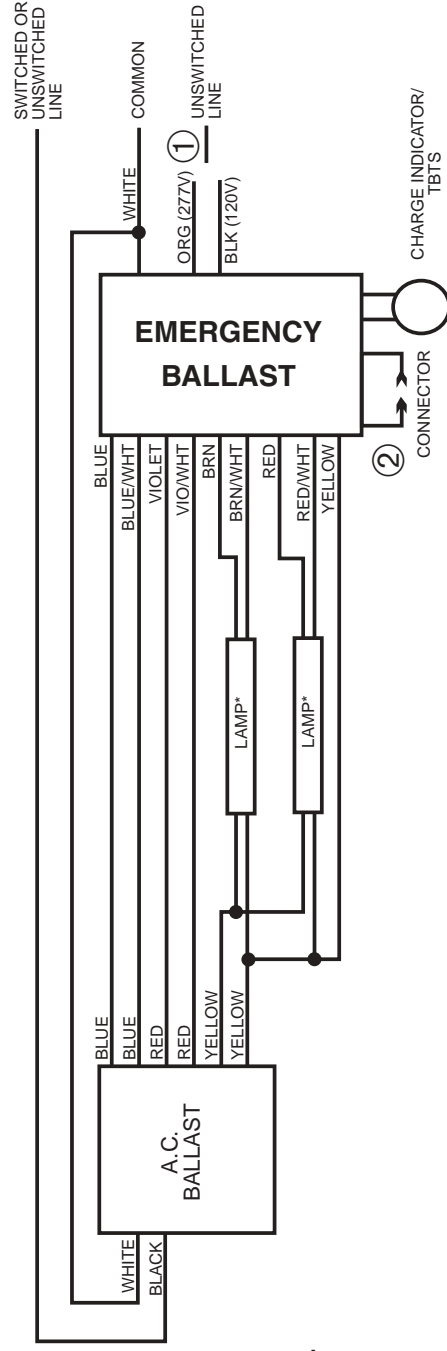


FOR 2 LAMP OPERATION REFER TO: **V52**

ANTRON/ACE
CSD UV42PS

ALL COMPATIBLE BALLASTS MAY NOT BE LISTED.
*DIMMING CONTROL WIRES ARE NOT AFFECTED BY EM PACK

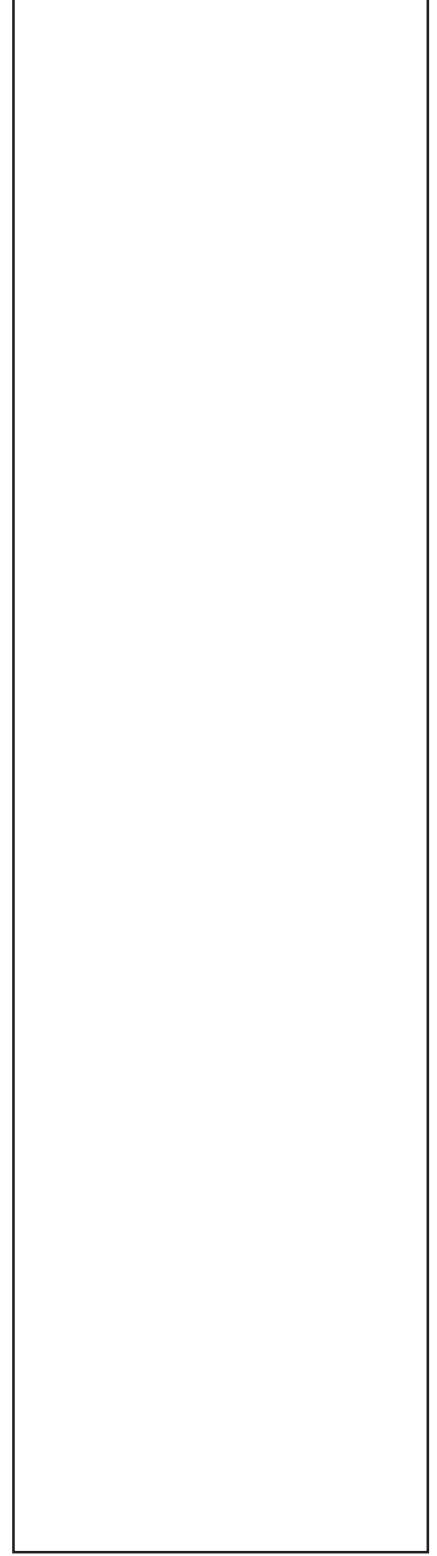
TWO LAMP RAPID START BALLAST



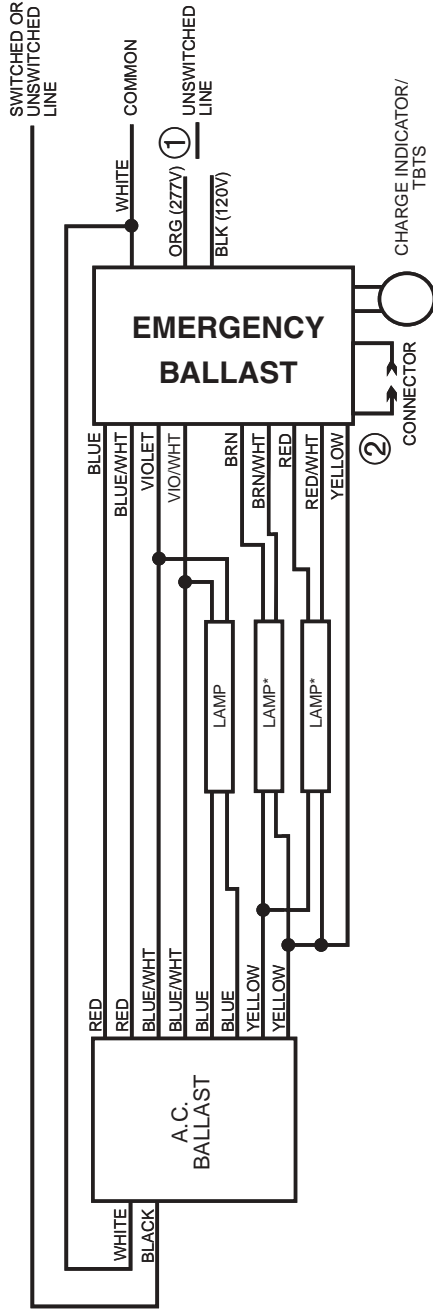
* Operates in A.C. and emergency mode.

① Select proper voltage lead. Cap unused lead.

② Do not mate connector until installation is complete and A.C. power is supplied.



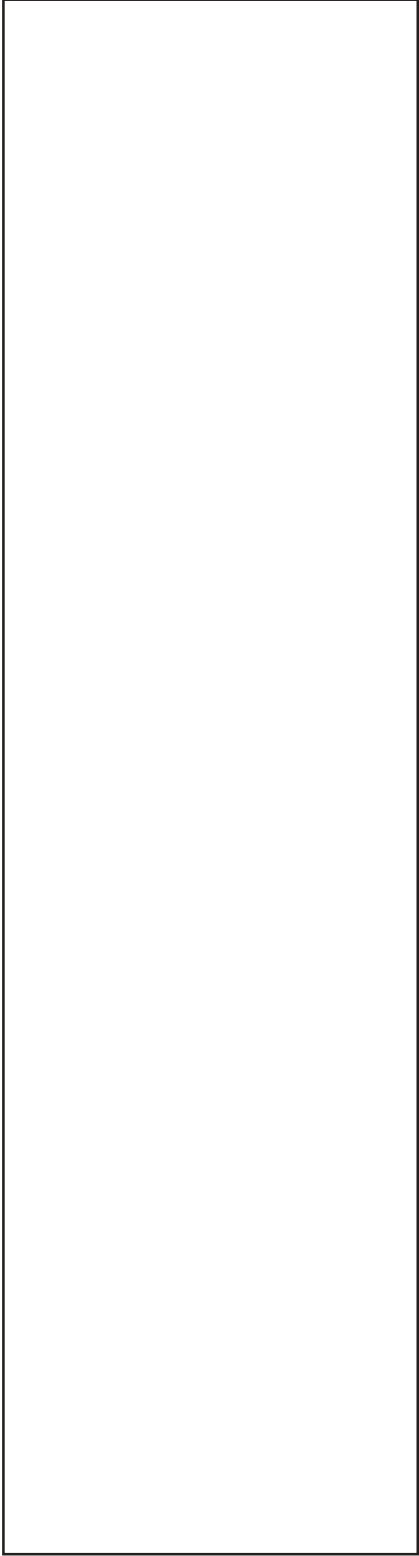
THREE LAMP RAPID START BALLAST



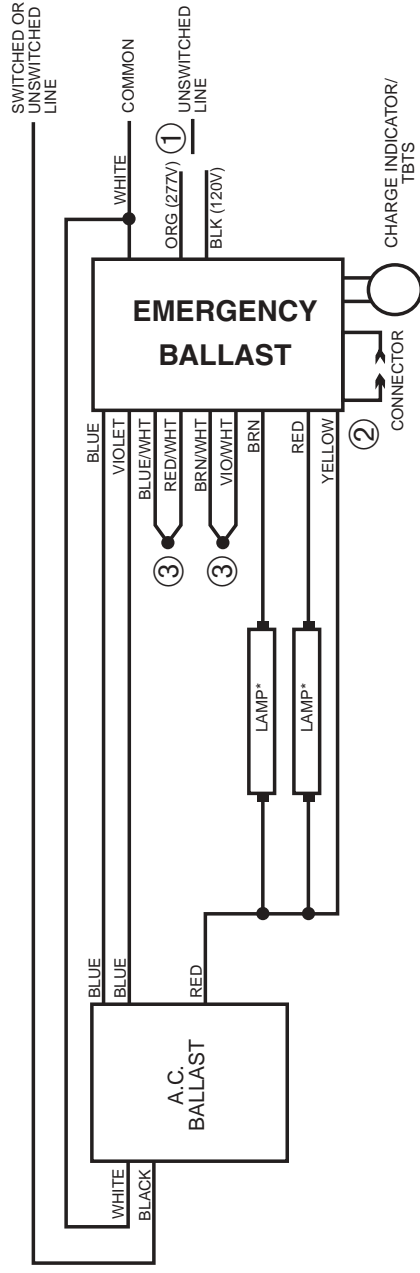
* Operates in emergency mode.

① Select proper voltage lead.
Cap unused lead.

② Do not mate connector until
installation is complete and A.C.
power is supplied.



TWO LAMP INSTANT START BALLAST

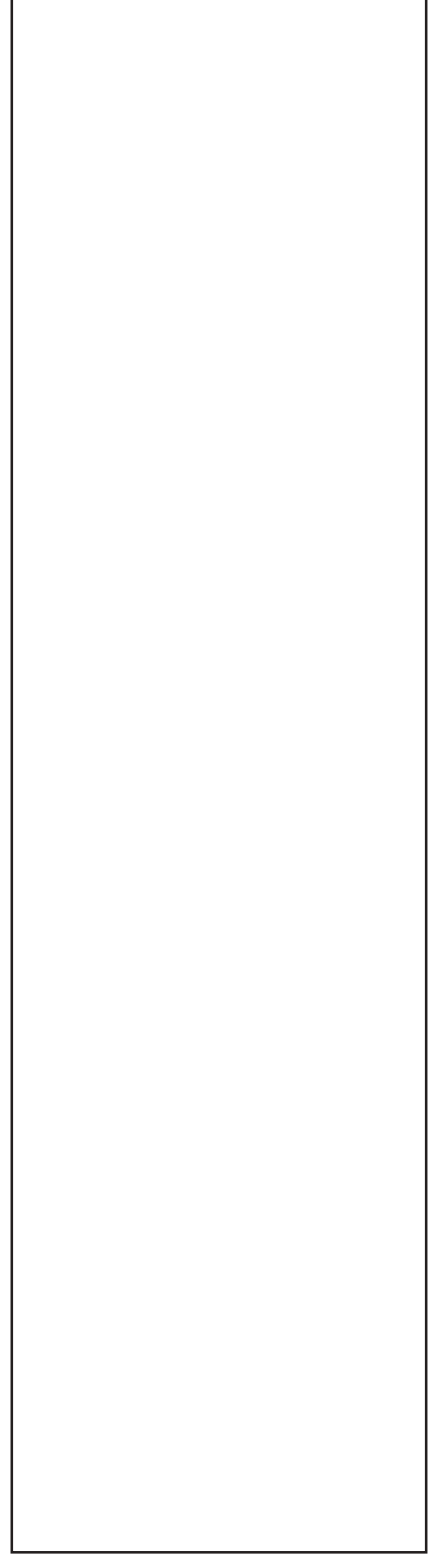


* Operates in A.C. and emergency mode.

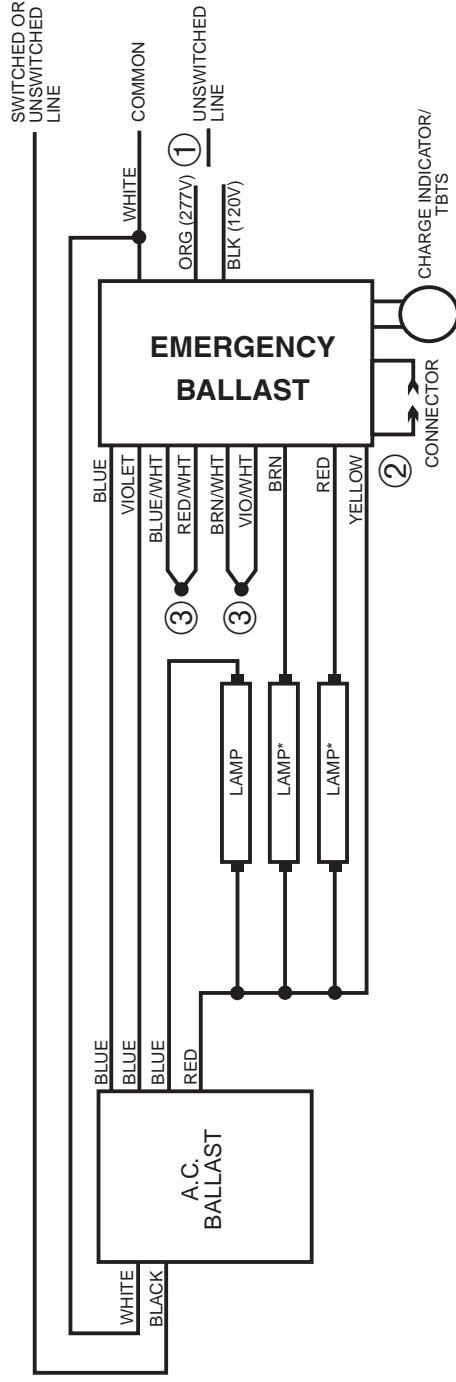
① Select proper voltage lead.
Cap unused lead.

② Do not mate connector until
installation is complete and A.C.
power is supplied.

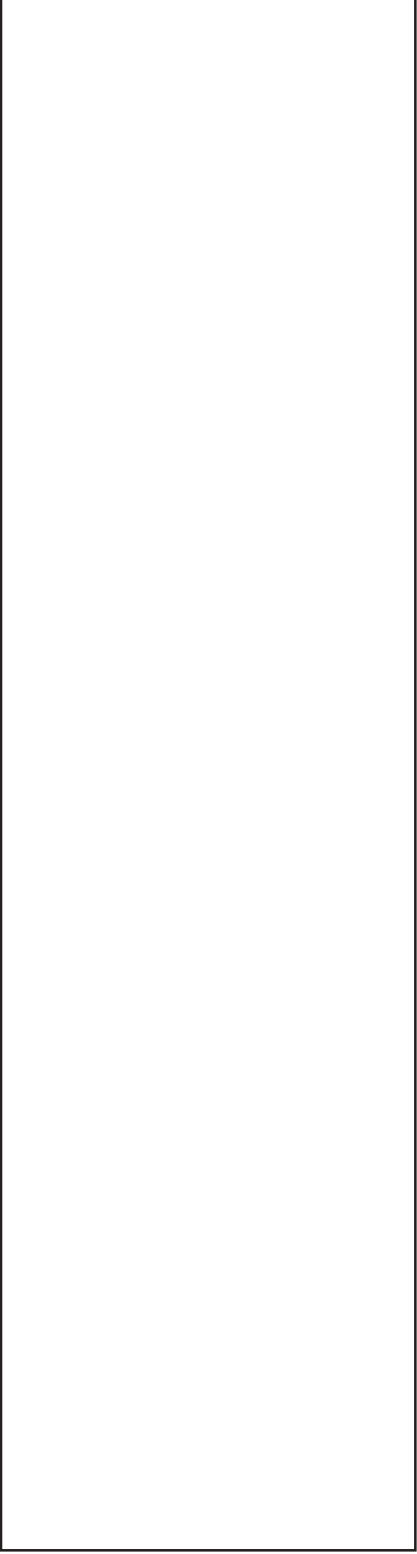
③ Pigtail leads together.



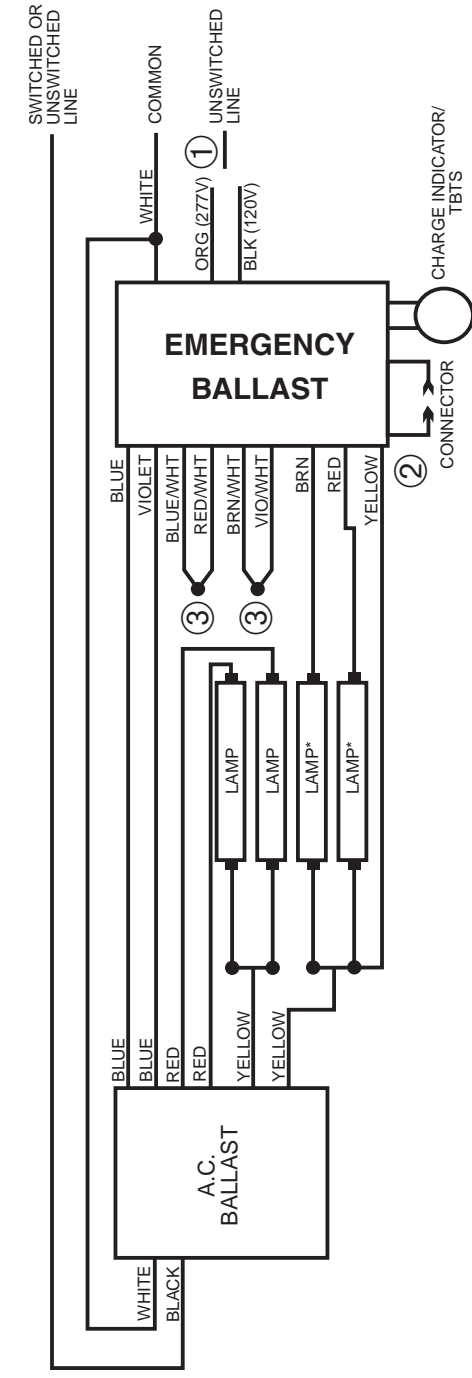
THREE LAMP INSTANT START BALLAST



- * Operates in emergency mode.
- ① Select proper voltage lead.
Cap unused lead.
- ② Do not mate connector until installation is complete and A.C. power supplied.
- ③ Pigtail leads together.

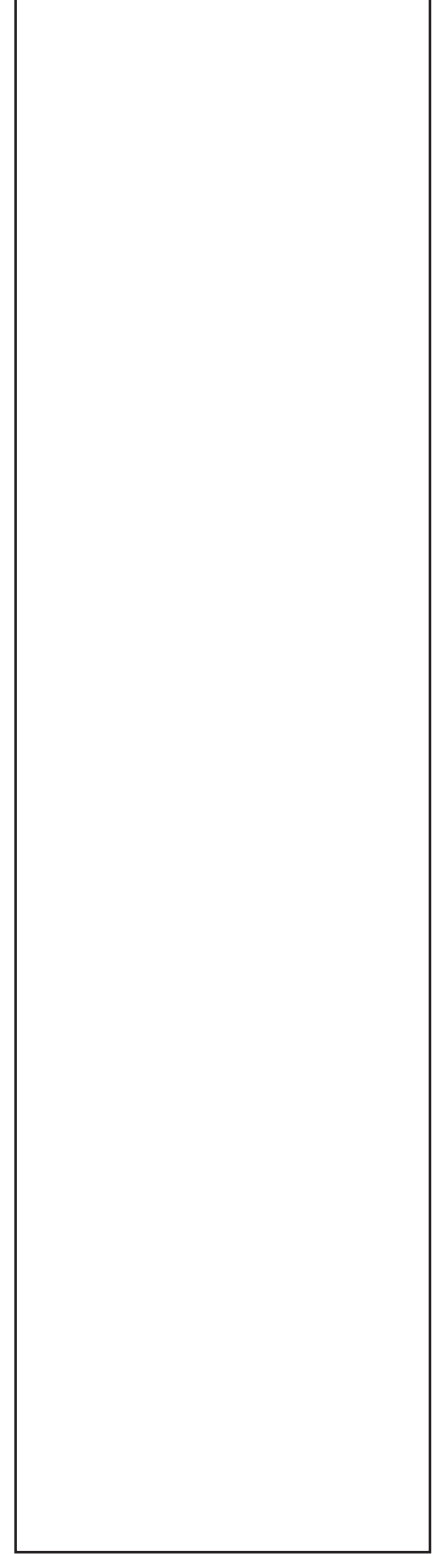


FOUR LAMP INSTANT START BALLAST

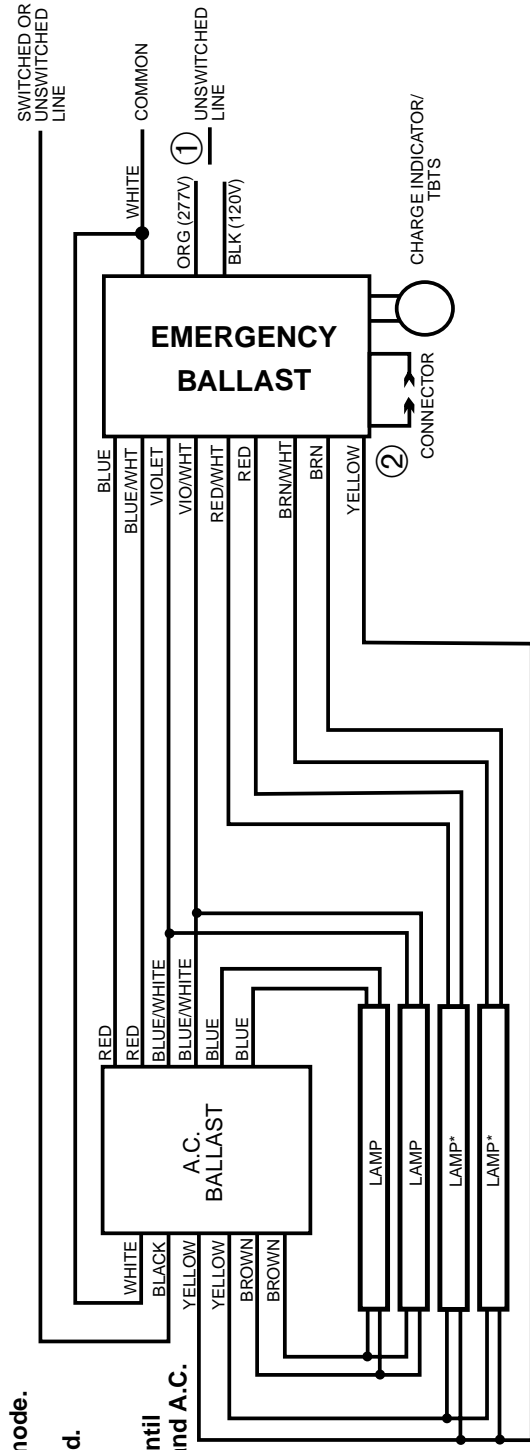


* Operates in emergency mode.

- ① Select proper voltage lead.
Cap unused lead.
- ② Do not mate connector until installation is complete and A.C. power is supplied.
- ③ Pigtail leads together.



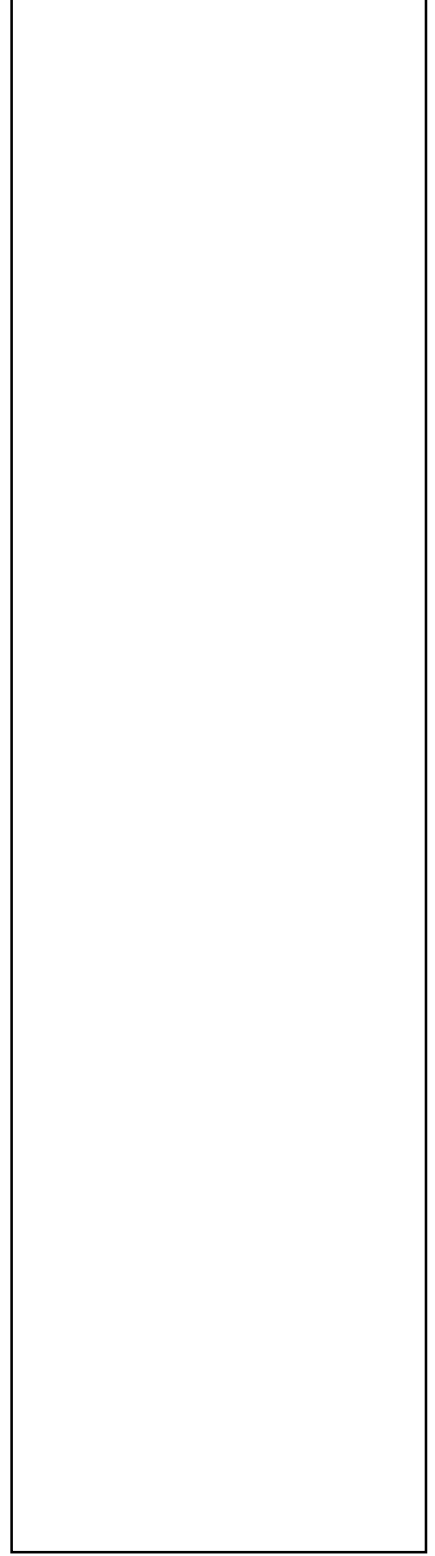
FOUR LAMP RAPID START BALLAST



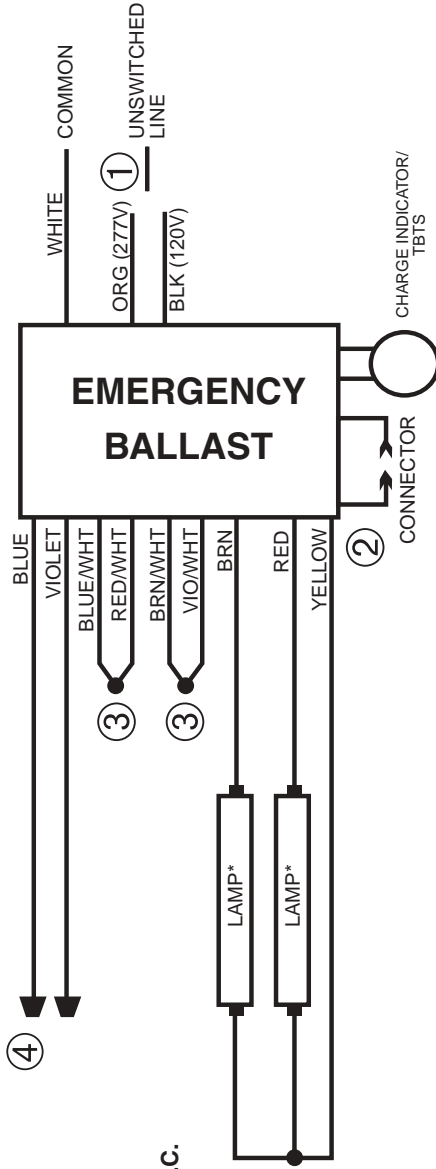
* Operates in emergency mode.

① Select proper voltage lead. Cap unused lead.

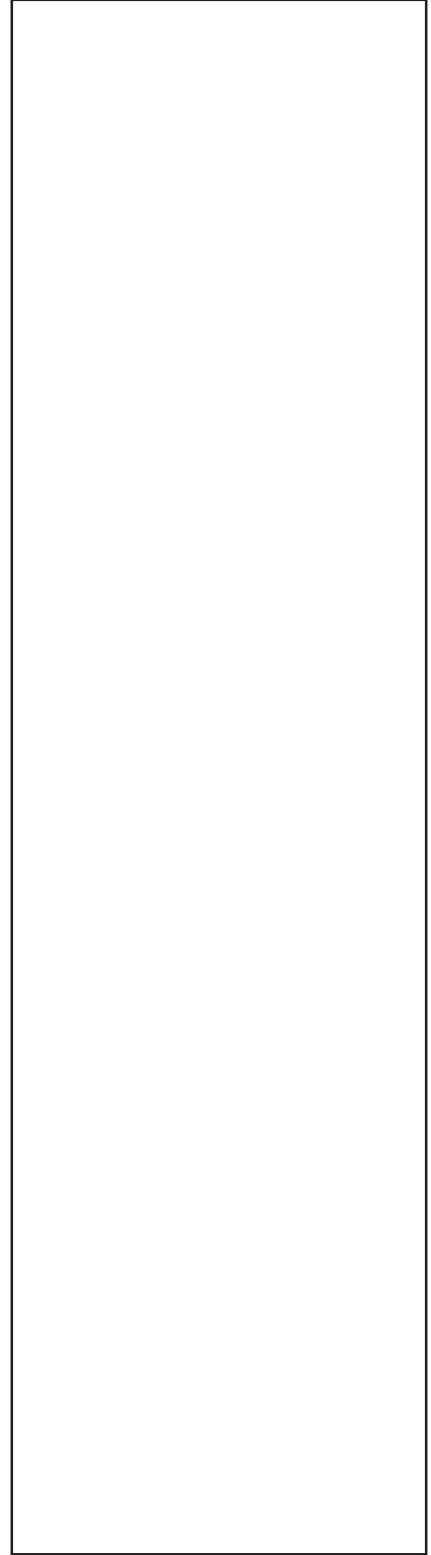
② Do not mate connector until installation is complete and A.C. power is supplied.



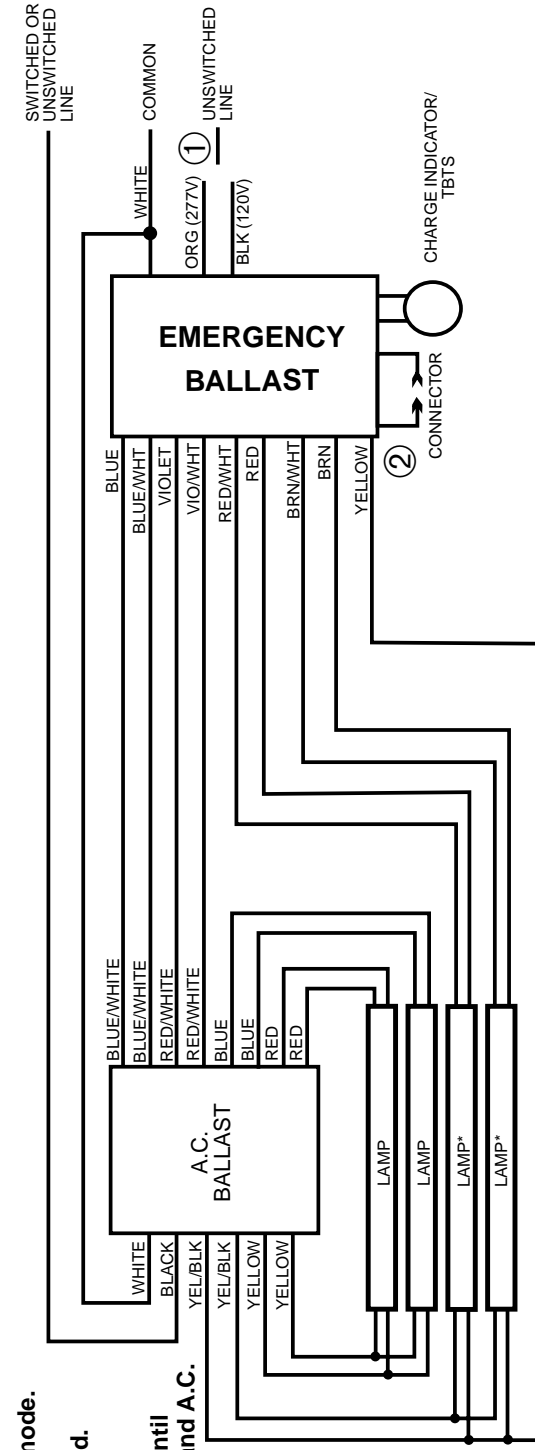
EMERGENCY OPERATION ONLY



- ① Select proper voltage lead.
Cap unused lead.
- ② Do not mate connector until installation is complete and A.C. power is supplied.
- ③ Pigtail leads together.
- ④ Cap unused leads



FOUR LAMP RAPID START BALLAST



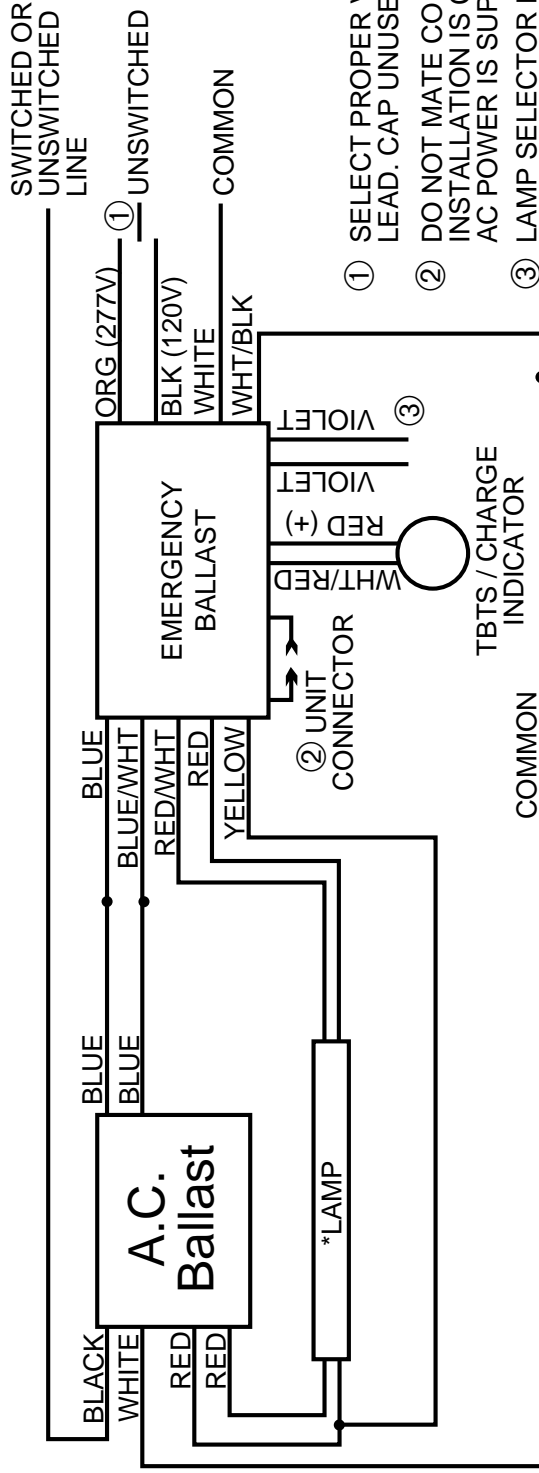
* Operates in emergency mode.

① Select proper voltage lead. Cap unused lead.

② Do not mate connector until installation is complete and A.C. power is supplied.

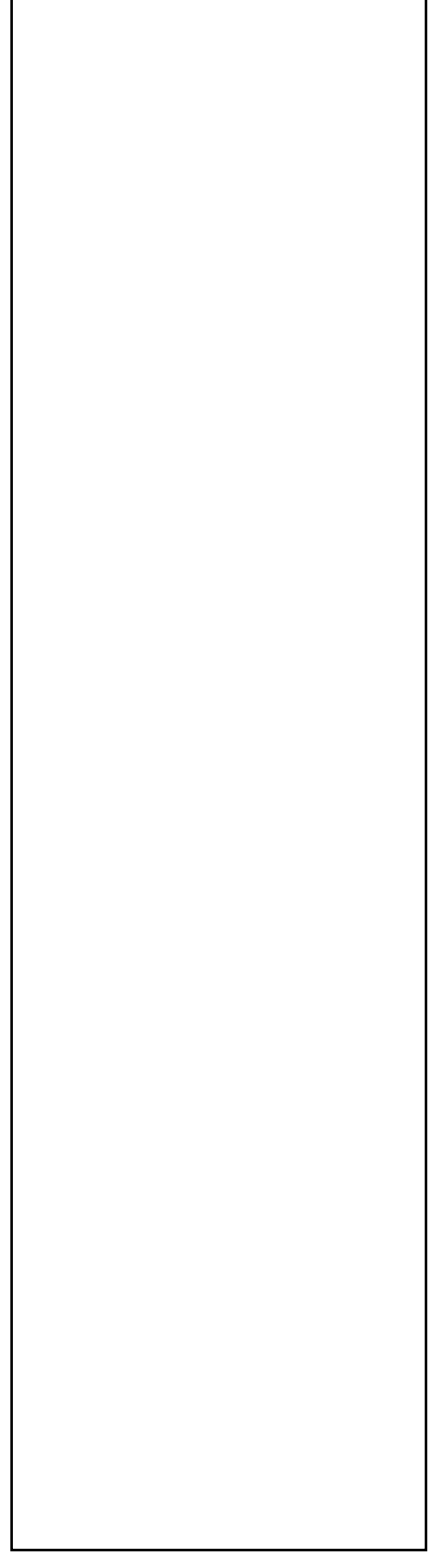
MAGNETEK
B432R120HP

ONE LAMP RAPID START BALLAST

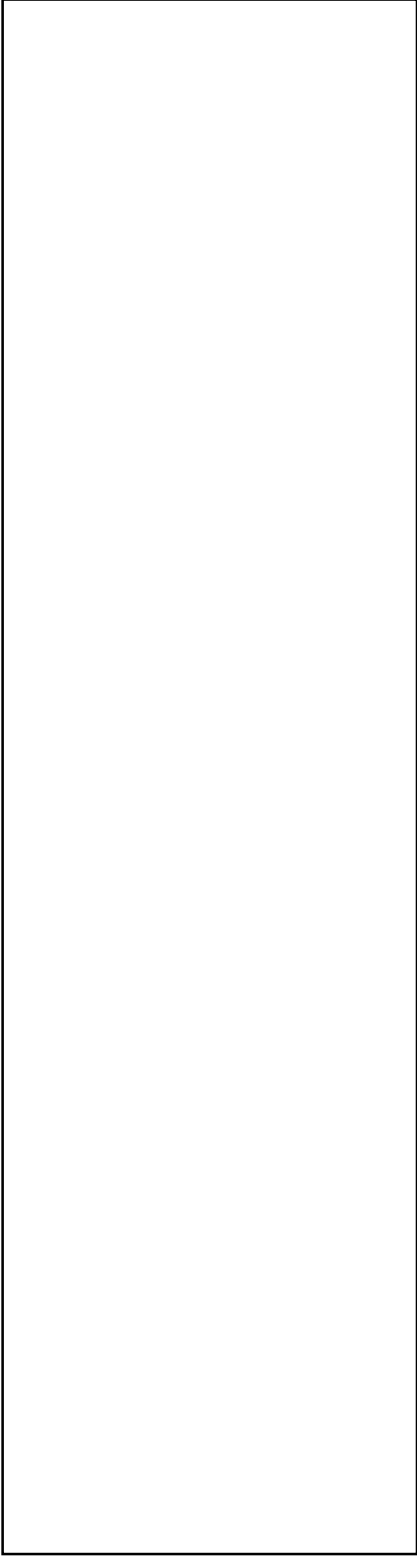
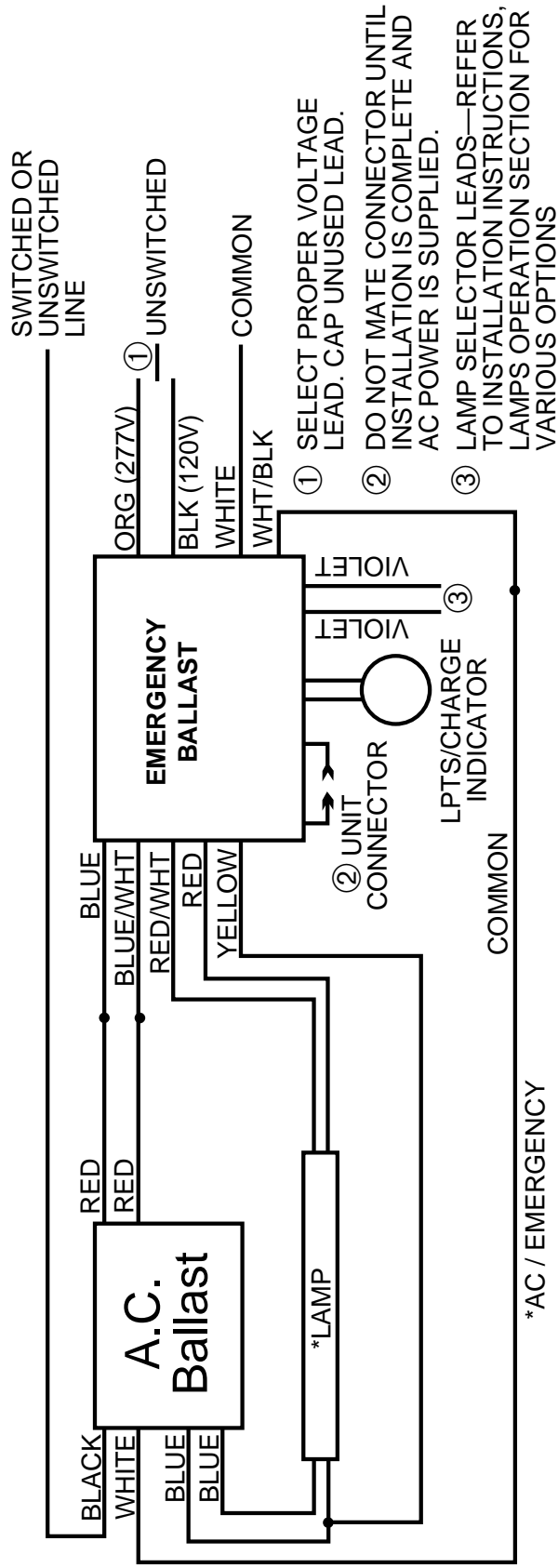


- ① SELECT PROPER VOLTAGE LEAD. CAP UNUSED LEAD.
- ② DO NOT MATE CONNECTOR UNTIL INSTALLATION IS COMPLETE AND AC POWER IS SUPPLIED.
- ③ LAMP SELECTOR LEADS—REFER TO INSTALLATION INSTRUCTIONS, LAMPS OPERATION SECTION FOR VARIOUS OPTIONS

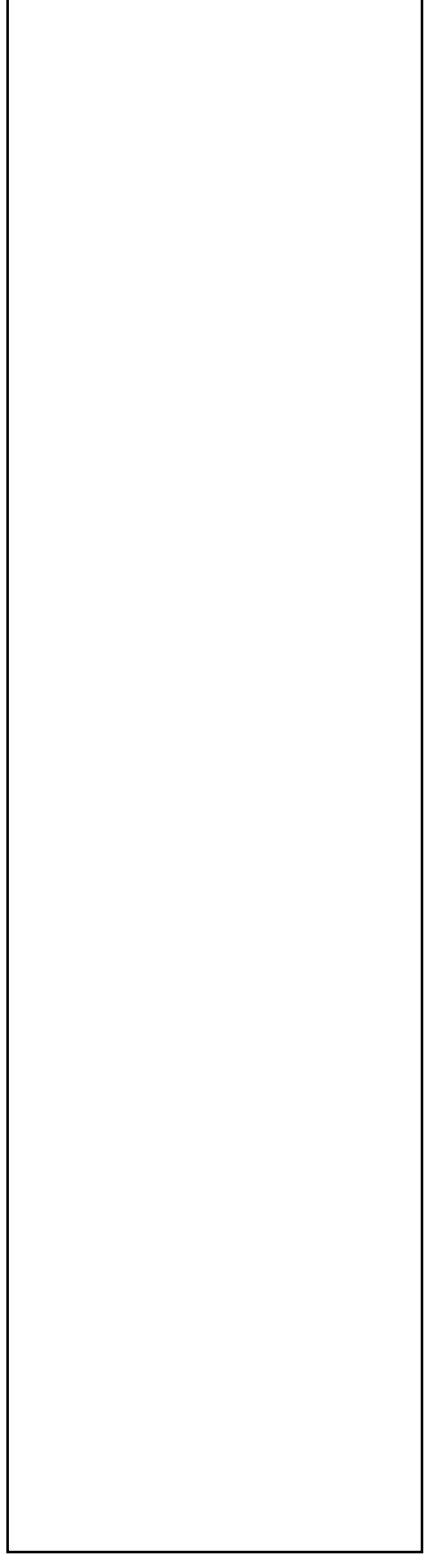
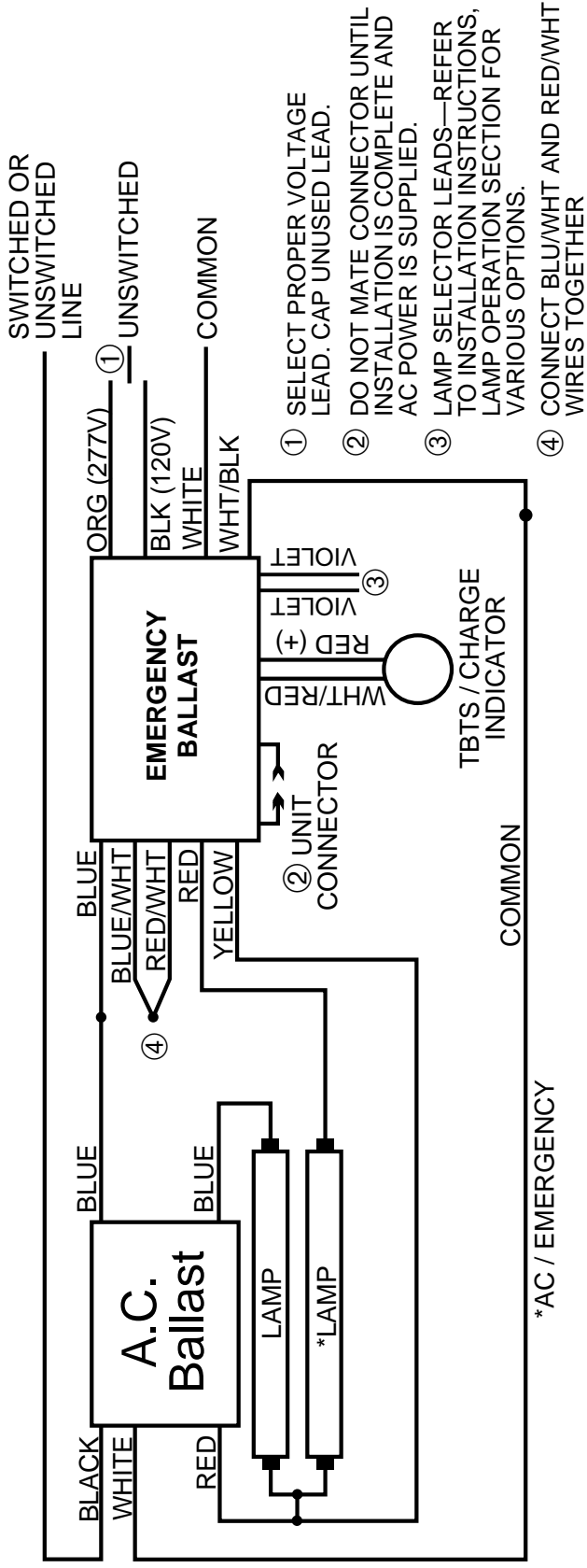
*AC / EMERGENCY



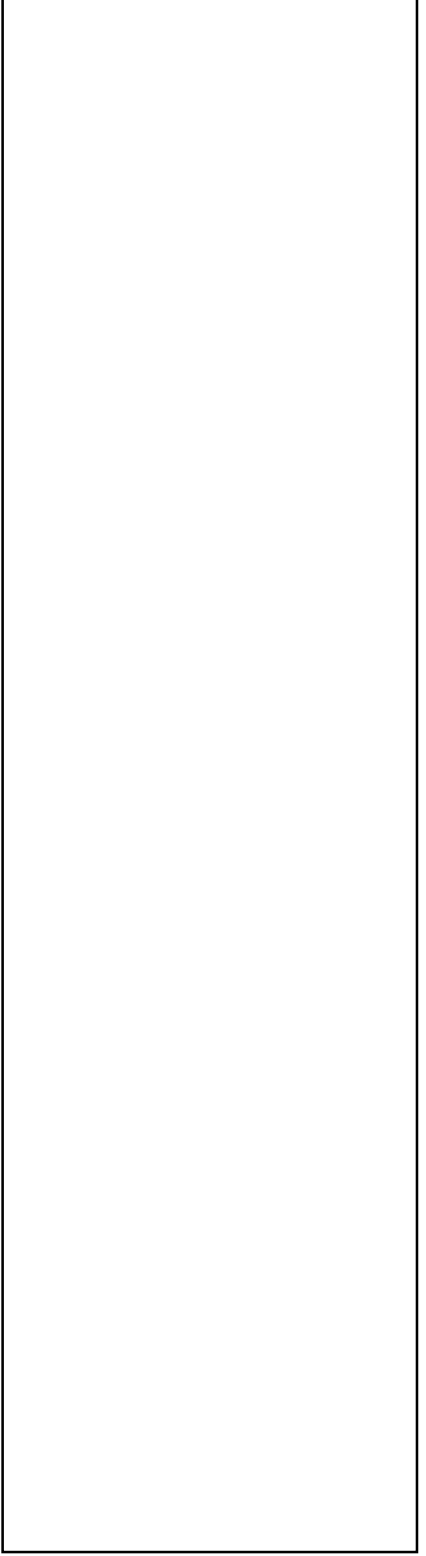
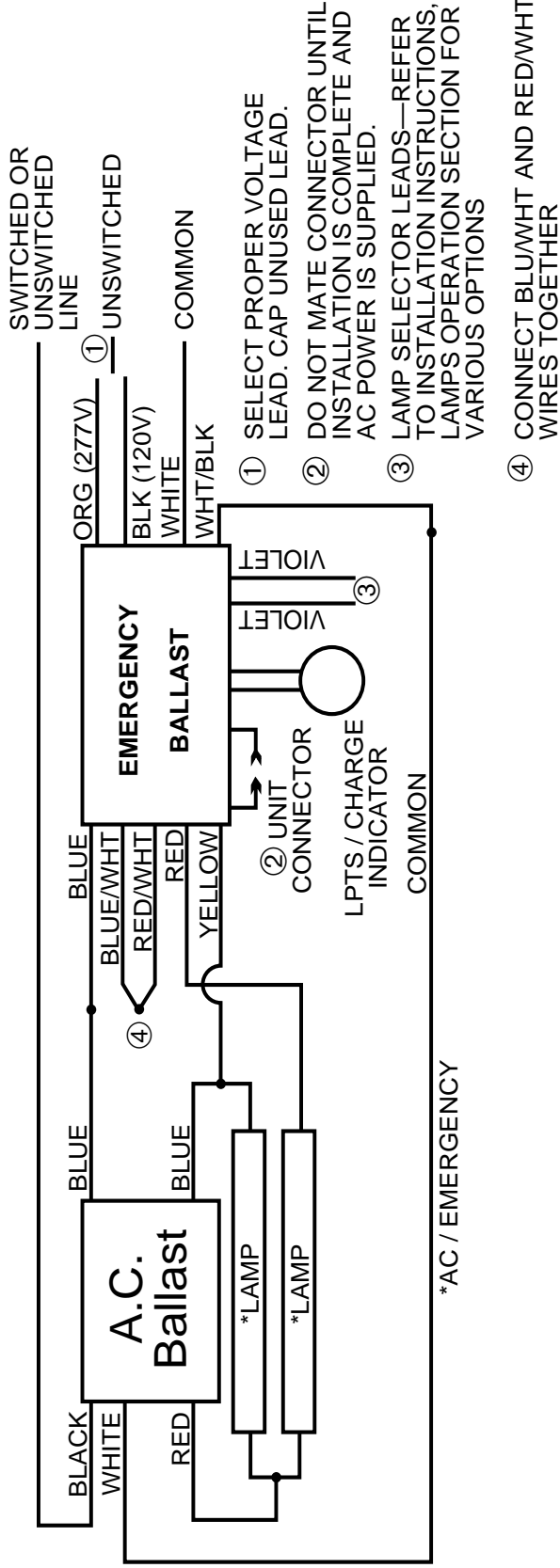
ONE LAMP RAPID START BALLAST



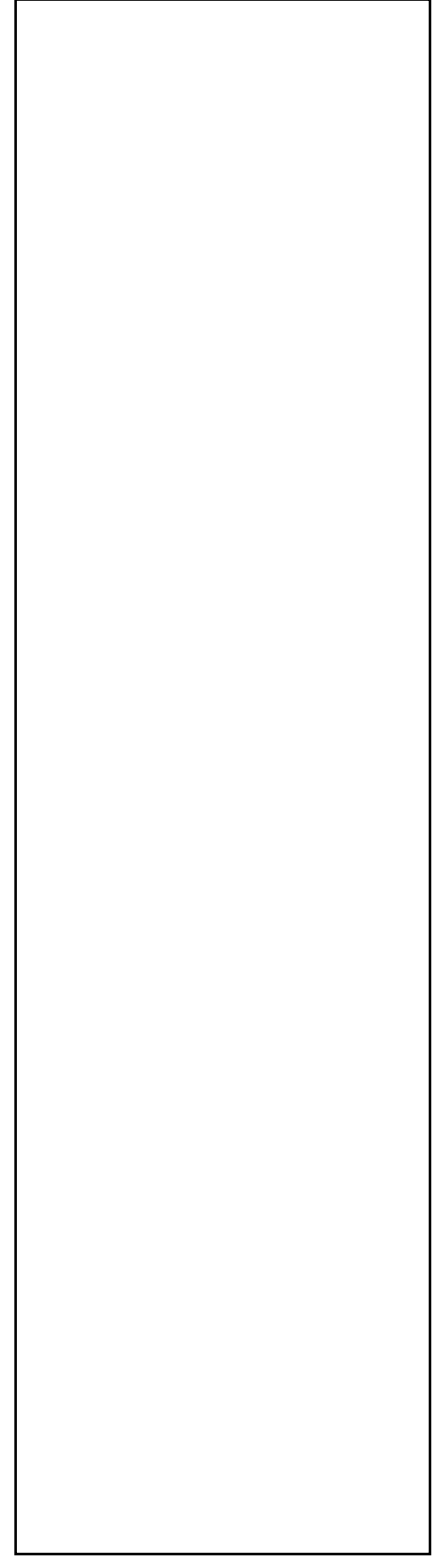
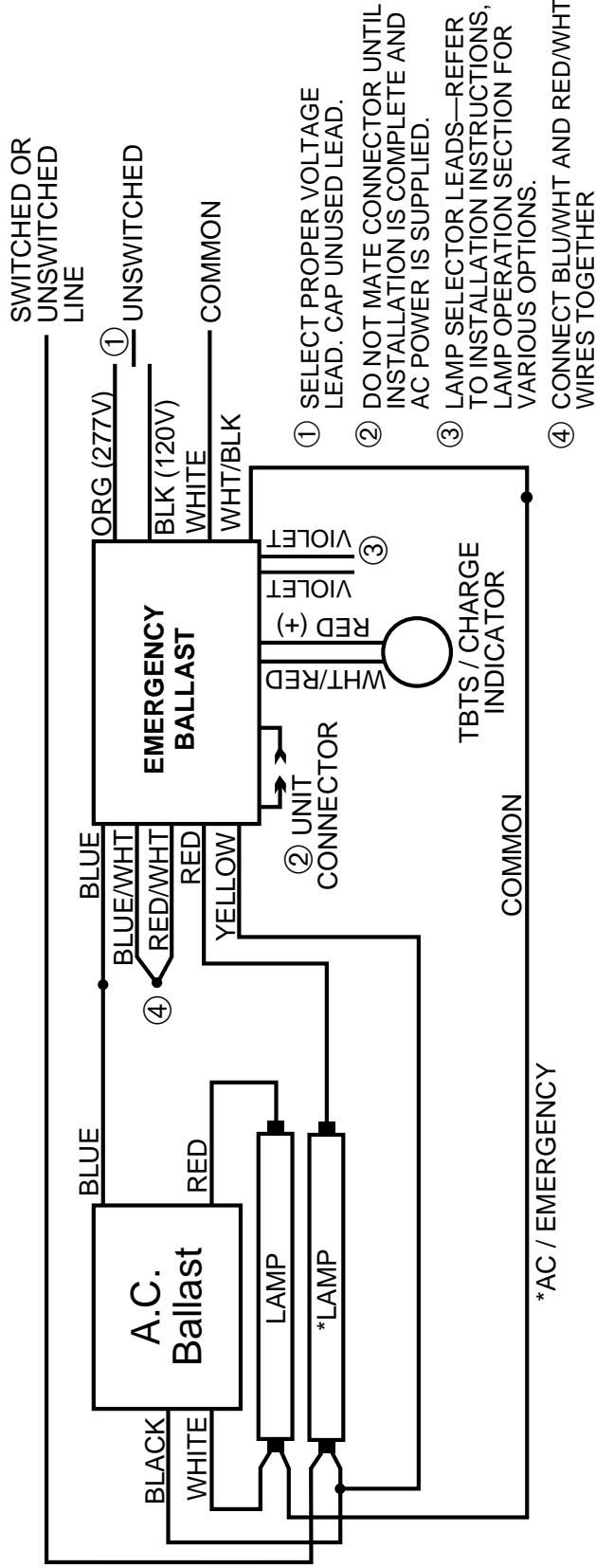
TWO LAMP INSTANT START BALLAST



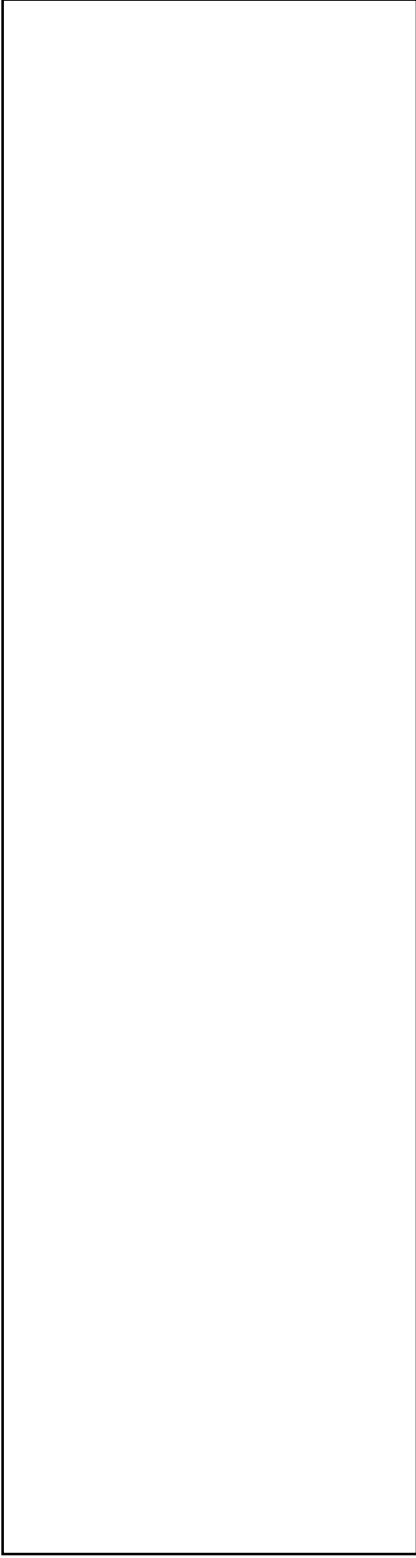
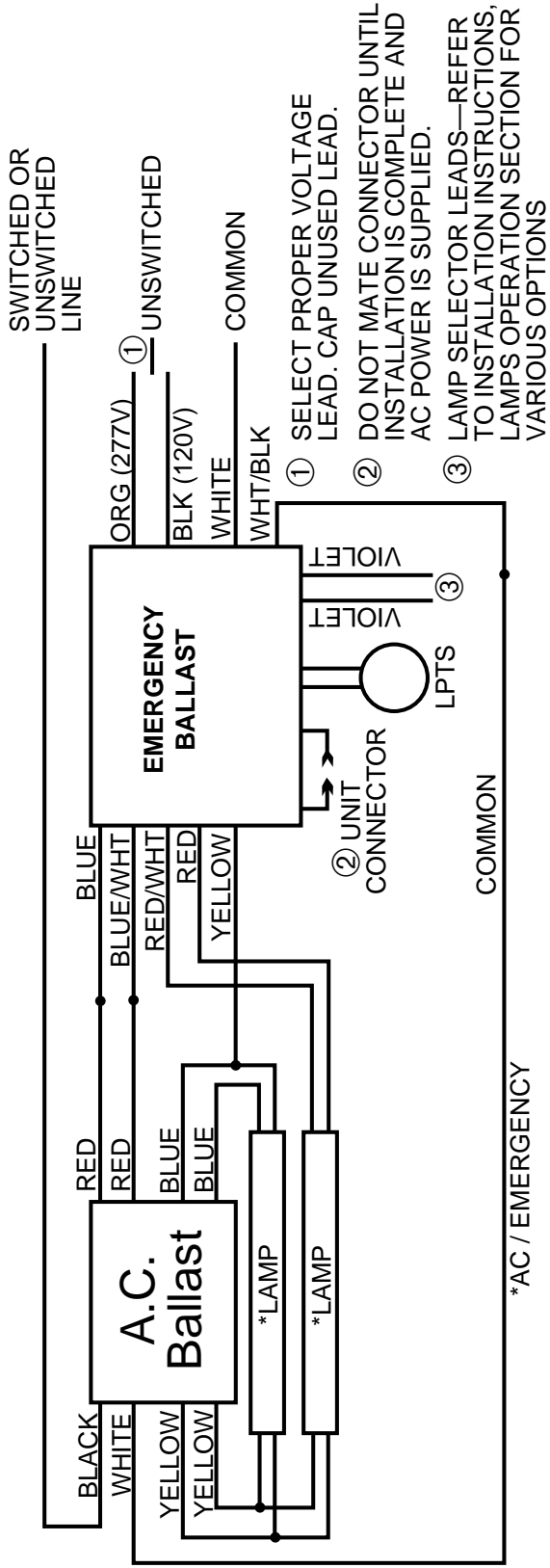
TWO LAMP INSTANT START BALLAST WITH TWO LAMP EMERGENCY OPERATION



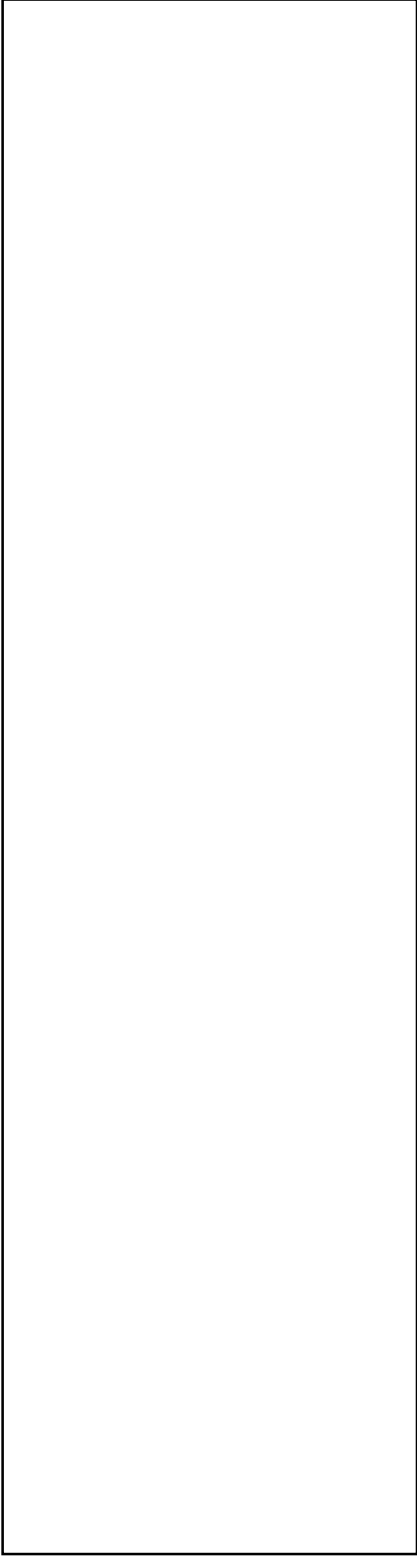
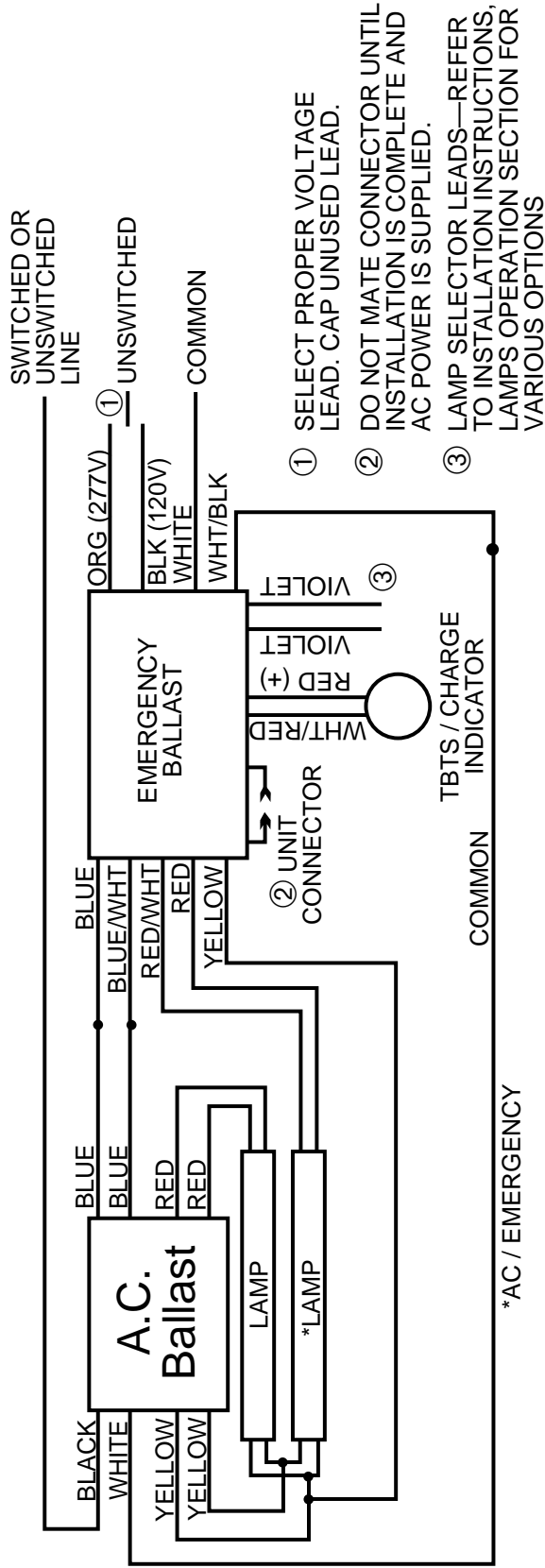
TWO LAMP INSTANT START BALLAST



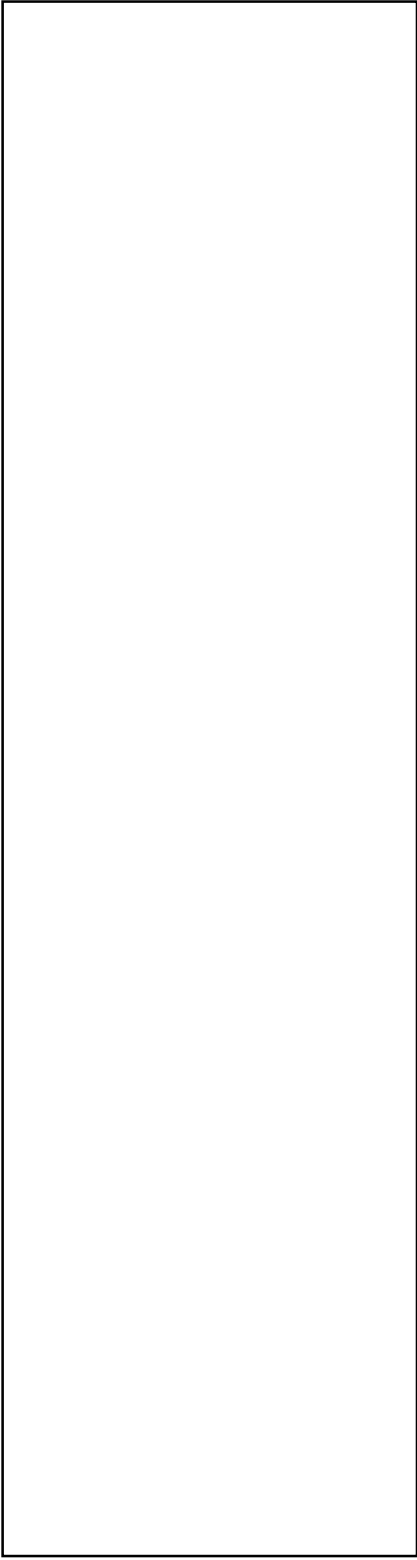
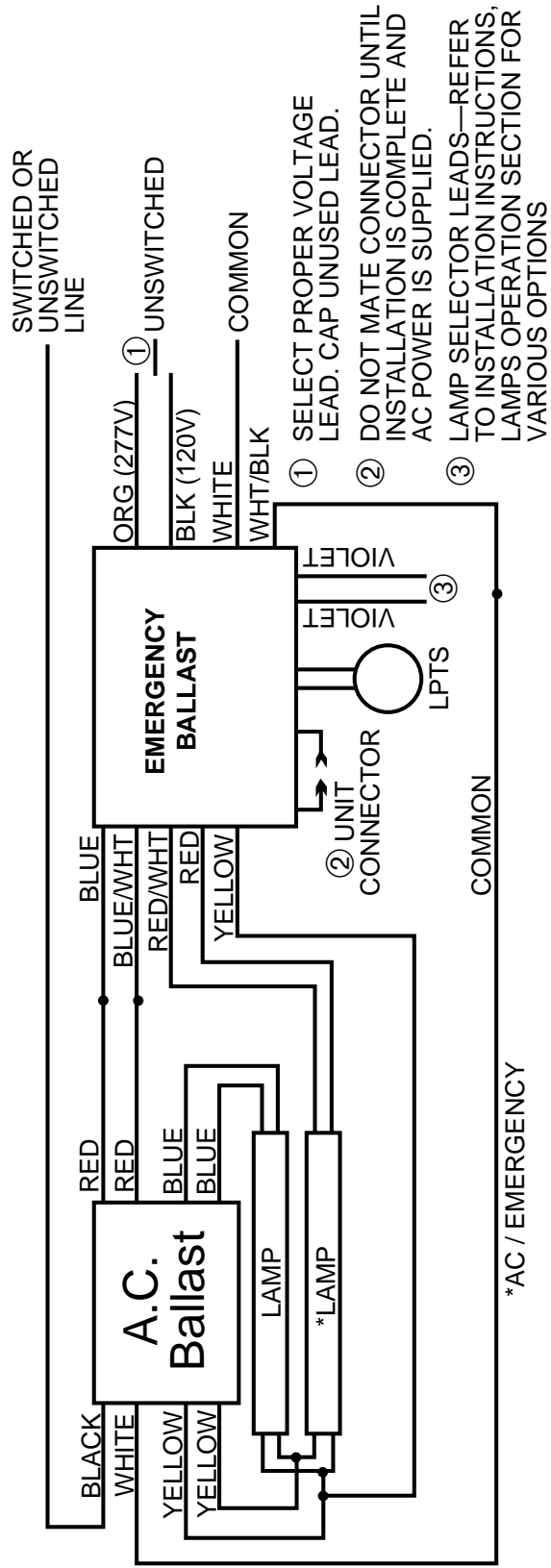
TWO LAMP RAPID START BALLAST WITH TWO LAMP EMERGENCY OPERATION



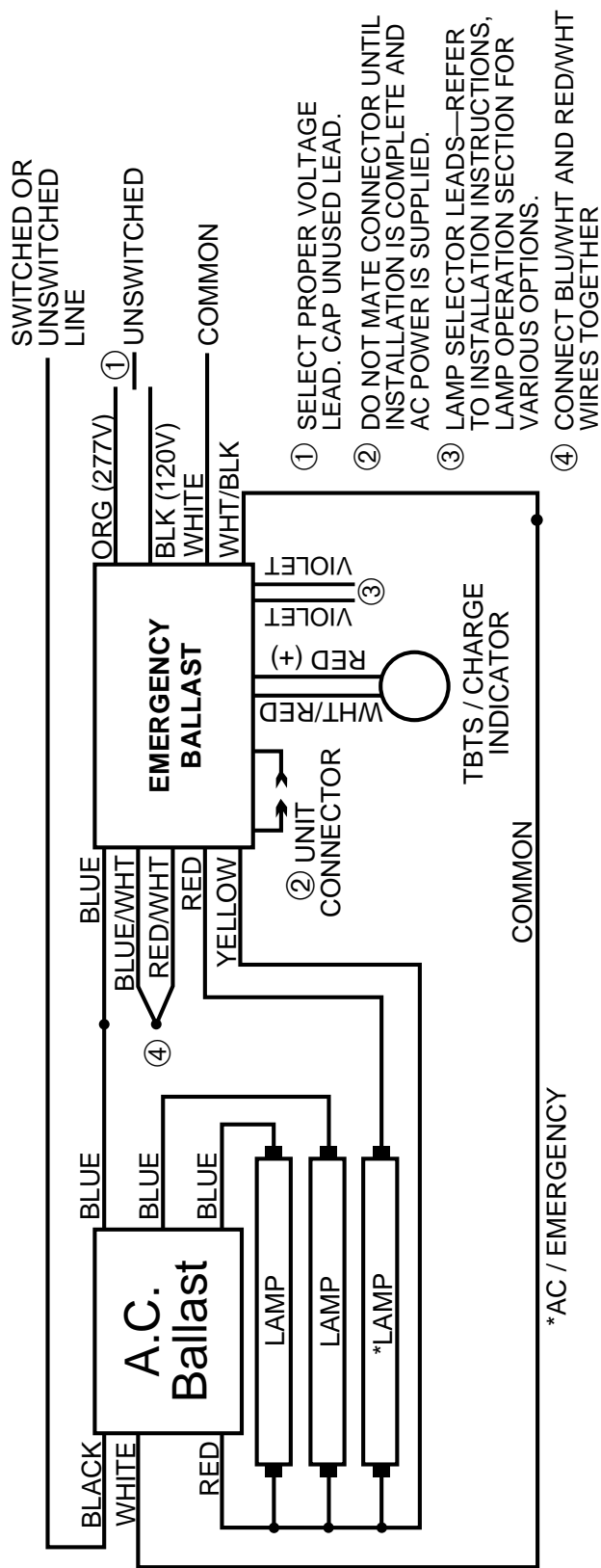
TWO LAMP RAPID START BALLAST



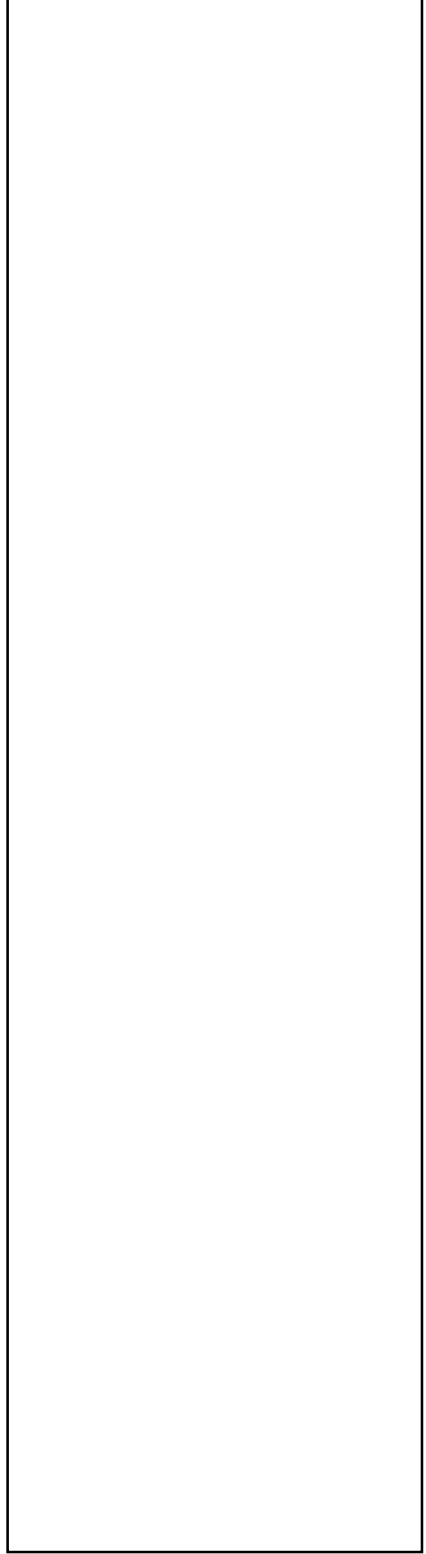
TWO LAMP RAPID START BALLAST



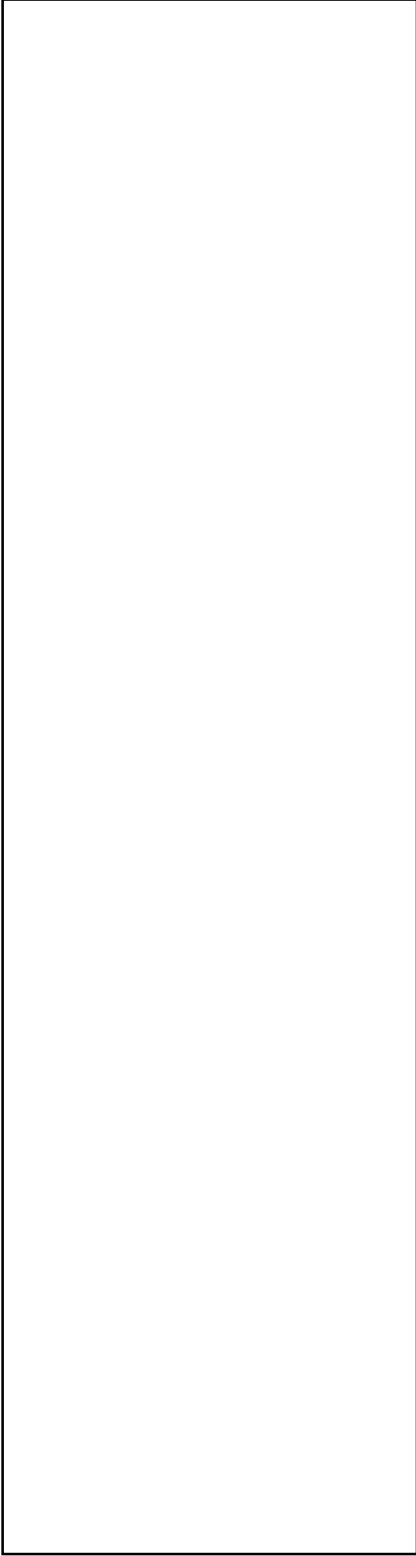
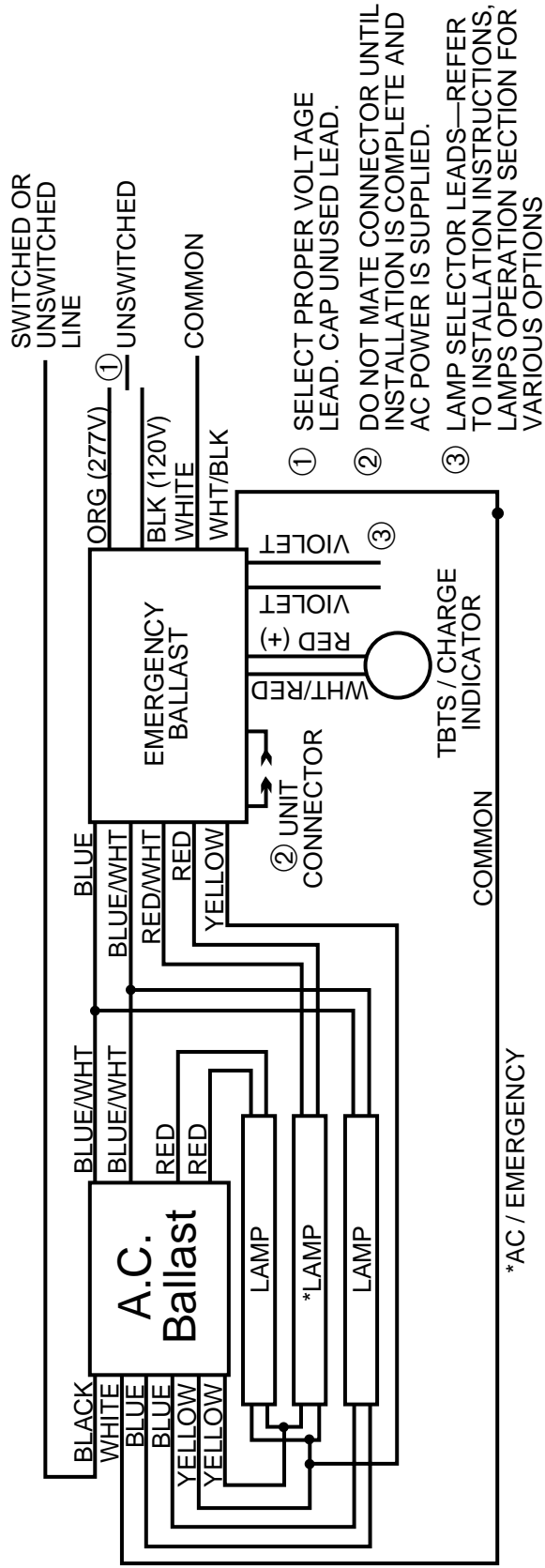
THREE LAMP INSTANT START BALLAST



- ① SELECT PROPER VOLTAGE LEAD. CAP UNUSED LEAD.
- ② DO NOT MATE CONNECTOR UNTIL INSTALLATION IS COMPLETE AND AC POWER IS SUPPLIED.
- ③ LAMP SELECTOR LEADS—REFER TO INSTALLATION INSTRUCTIONS, LAMP OPERATION SECTION FOR VARIOUS OPTIONS.
- ④ CONNECT BLU/WHT AND RED/WHT WIRES TOGETHER

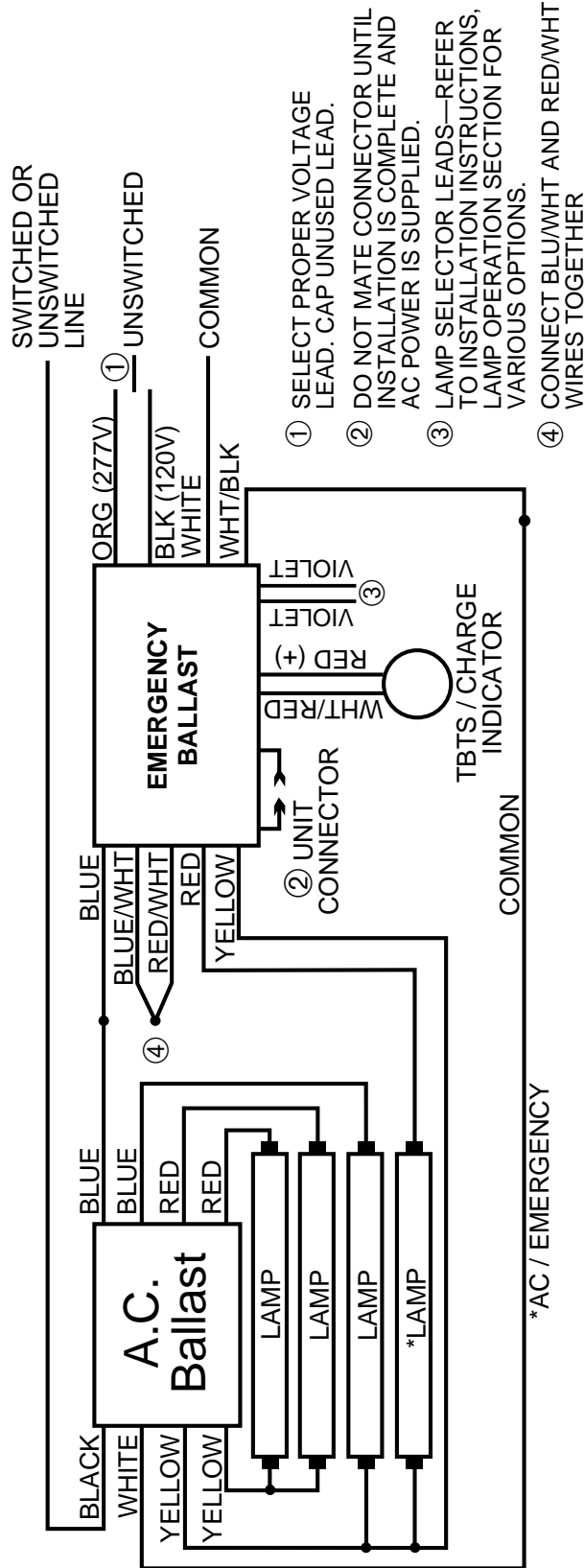


THREE LAMP RAPID START BALLAST



4LISB_D

FOUR LAMP INSTANT START BALLAST



FOR 1 LAMP OPERATION REFER TO: YY20

ADVANCE

RCN/VCN-4P32
REL/VEL-4P32-RH-TP
REL/VEL-4P32-LW-RH-TP

EBT

SSB2-120/277-4/32 IS LH /-(75%)

GE

G4-IN-T8-120/277

GOLDSTAR

GB 4x32/FL/I/120-277
GB 4x32/FL/I/120L-277L

HOWARD

E4/32IS-120/277
EC4/32IS-120/277

KINGTEC

432K120-IS/277-IS
432K120-75%

MAGNETEK

B432120/277HP
B432120/277RH

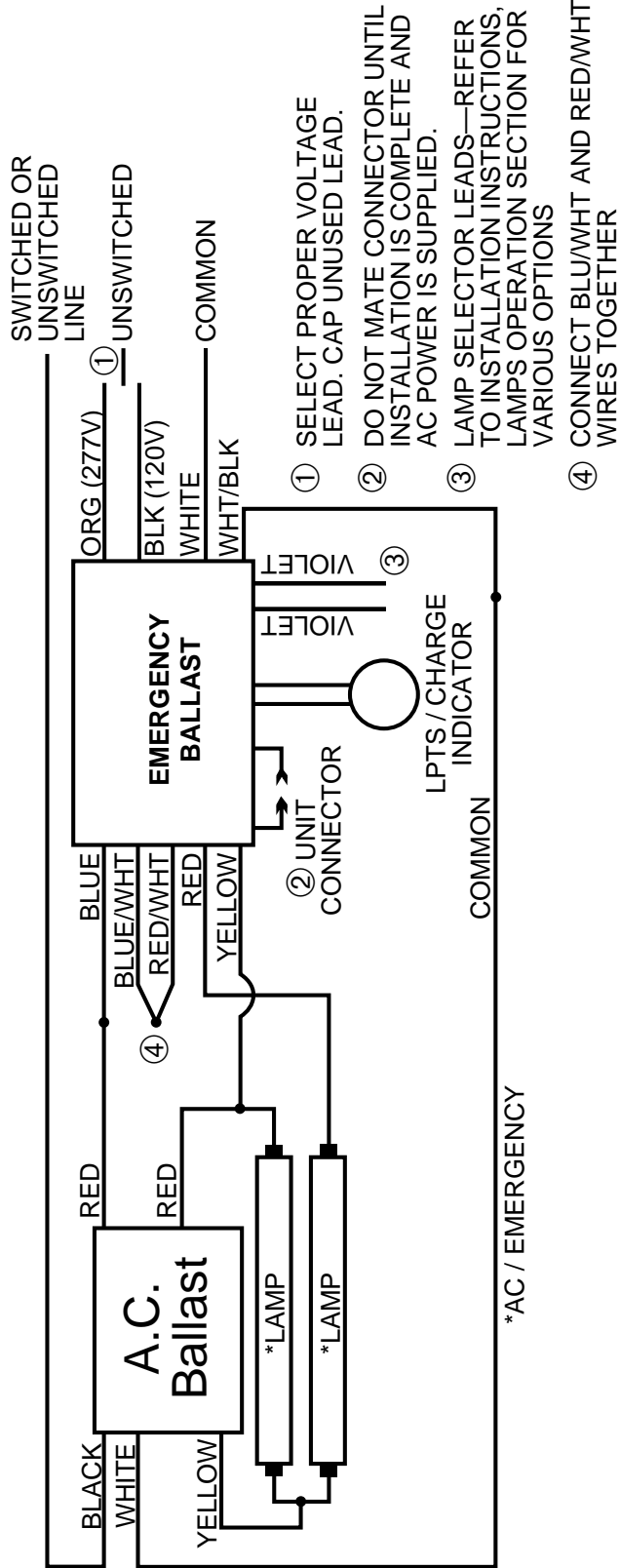
MOTOROLA

M4-IL-T8-GP-A-120/277
M4-IN-T8-A-120/277
M4-IN-T8-D-120/277
M4-IN-T8-GP-A-120/277

ALL COMPATIBLE BALLASTS MAY NOT BE LISTED.
*DIMMING CONTROL WIRES ARE NOT AFFECTED BY EM PACK

2LISFB2_80D_2LEO

TWO LAMP INSTANT START BALLAST TWO LAMP EMERGENCY OPERATION



FOR 1 LAMP OPERATION REFER TO: YY15

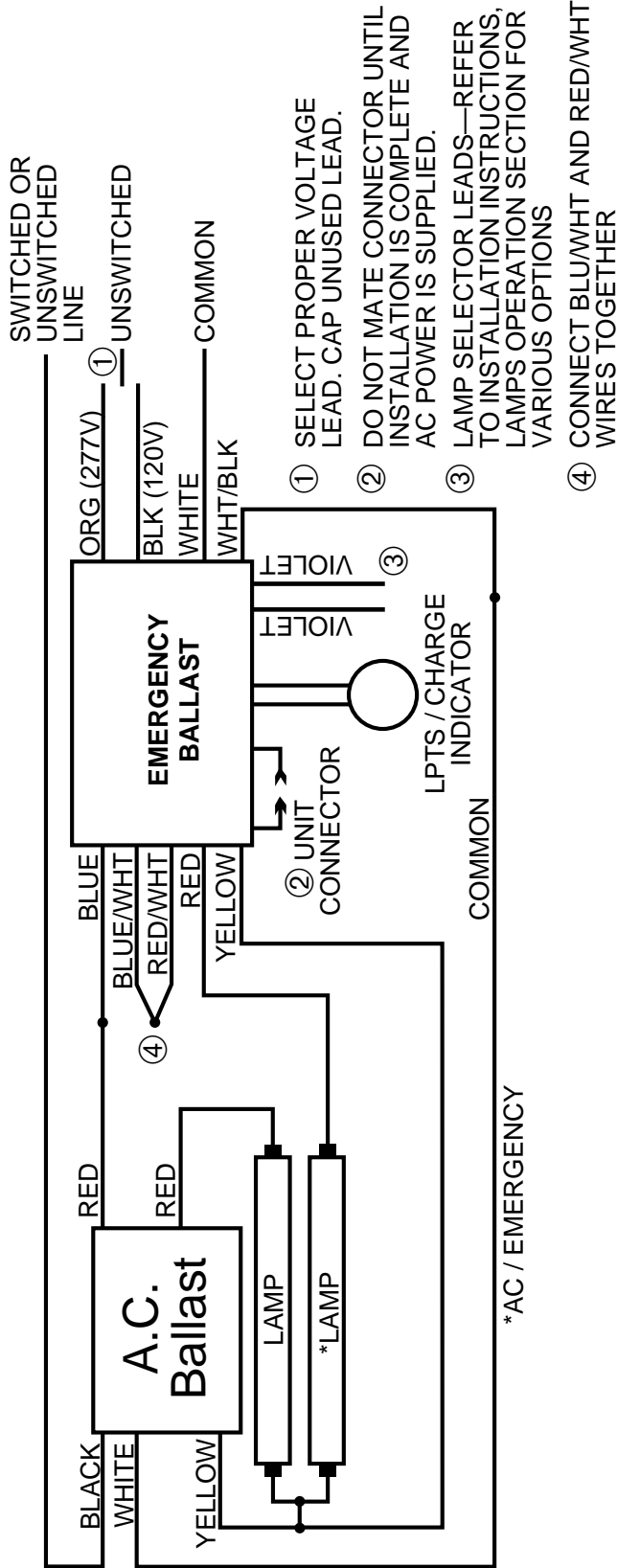
FULLHAM

WORKHORSE 3



2LISFB2_80D

TWO LAMP INSTANT START BALLAST



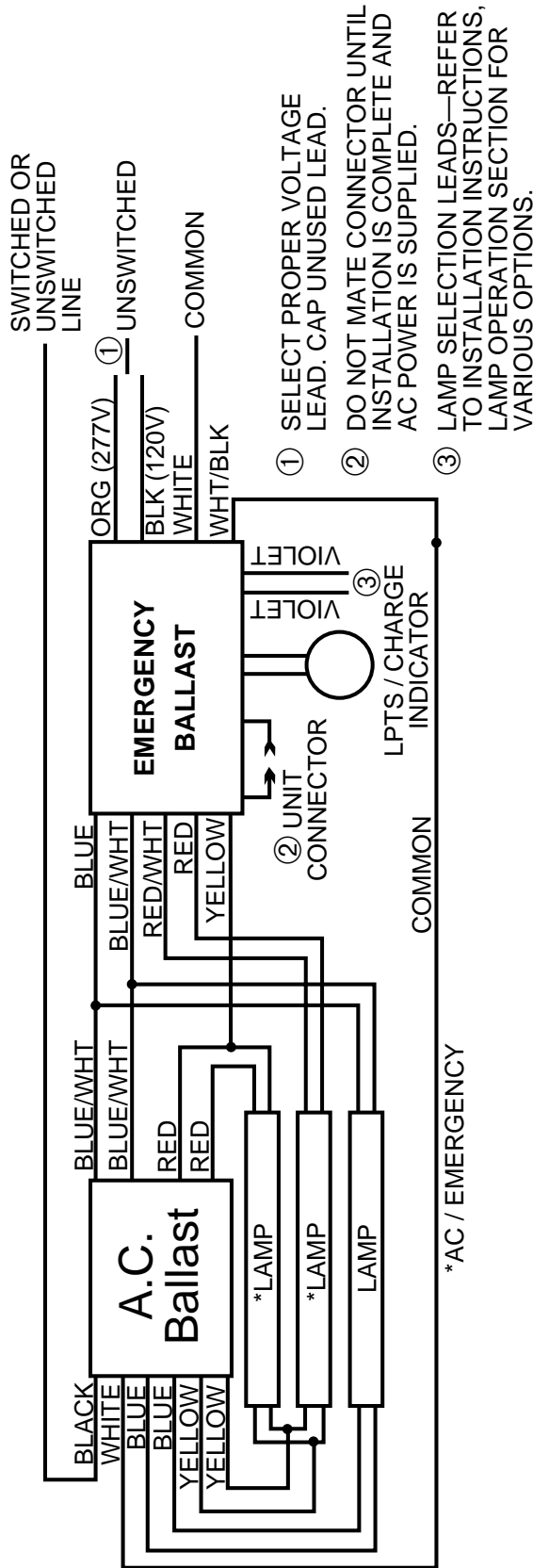
FOR 2 LAMP OPERATION REFER TO: YY14

FULLHAM

WORKHORSE 3

3LR5B_2LEO_80_D

THREE LAMP RAPID START BALLAST WITH TWO LAMP EMERGENCY OPERATION



ADVANCE

R/V-3S34-TP
 RCN/VCN-3S32
 RCN/VCN-3S40
 REL/VEL-3S40-RH-TP
 RIC/VIC-3S32-TP
 RIC/VIC-3S40-TP
 RK/VK-3S34-TP
 RL-3SP20-TP
 RZT/VZT-3S32*
 REZ/VEZ-3S32*

EBT

SSB1-120/277-3/32 LH
 SSB1-120/277-3/40 LH

GE

G3-RL-T8-1LL-120/277
 G3-RN-T8-10C-120/277
 G3-RN-T8-1LL-120/277
 G3-RN-T12-1LL-120/277

LUTRON

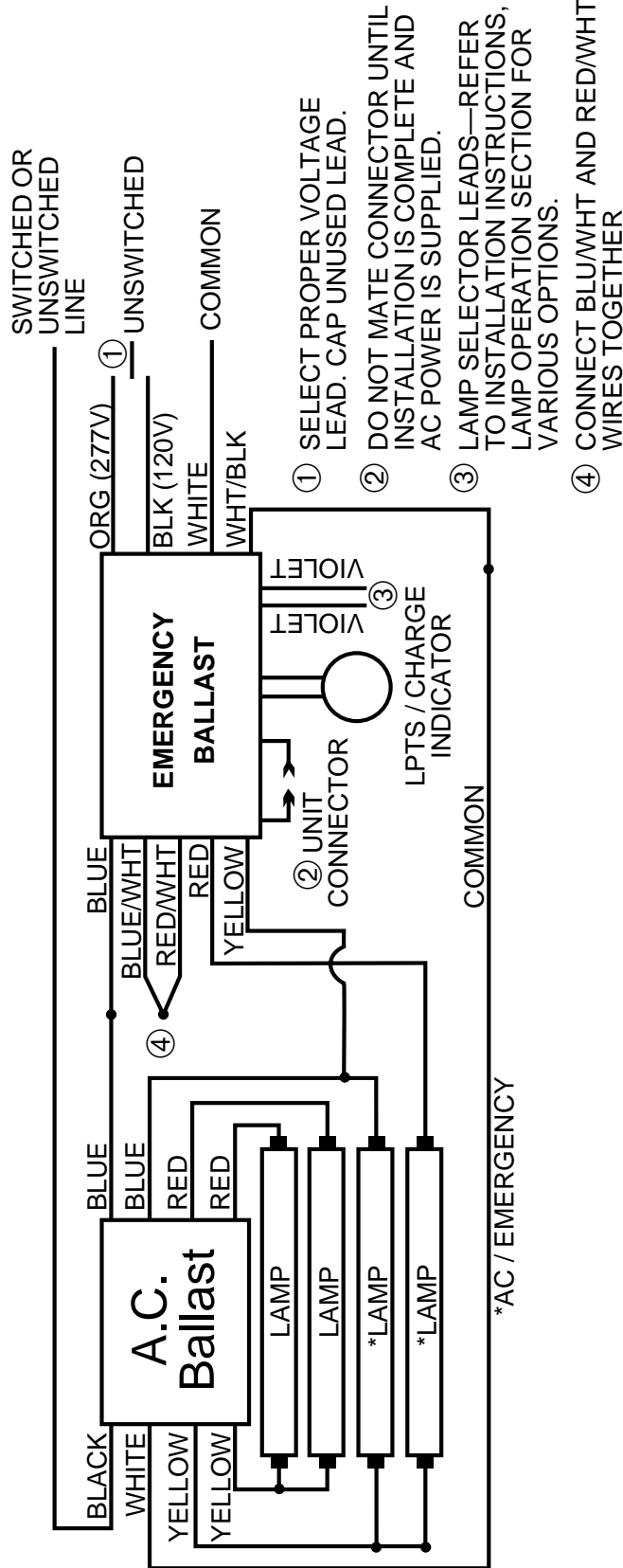
ECO-T832-120/277-3*
 FDB-4827-120/277-3*

MOTOROLA

M3-RL-T8-1LL-A-120/277
 M3-RN-T12-1LL-B-120/277
 M3-RN-T8-1LL-A-120/277

ALL COMPATIBLE BALLASTS MAY NOT BE LISTED.
 *DIMMING CONTROL WIRES ARE NOT AFFECTED BY EM PACK

FOUR LAMP INSTANT START BALLAST WITH TWO LAMP EMERGENCY OPERATION



FOR 1 LAMP OPERATION REFER TO: YY13

ADVANCE

RCN/VCN-4P32
REL/VEL-4P32-RH-TP
REL/VEL-4P32-LW-RH-TP

EBT

SSB2-120/277-4/32 IS LH /-(75%)

GE

G4-IN-T8-120/277

GOLDSTAR

GB 4x32/FL/I/120-277
GB 4x32/FL/I/120L-277L

HOWARD

E4/32IS-120/277
EC4/32IS-120/277

KINGTEC

432K120-IS/277-IS
432K120-75%

MAGNETEK

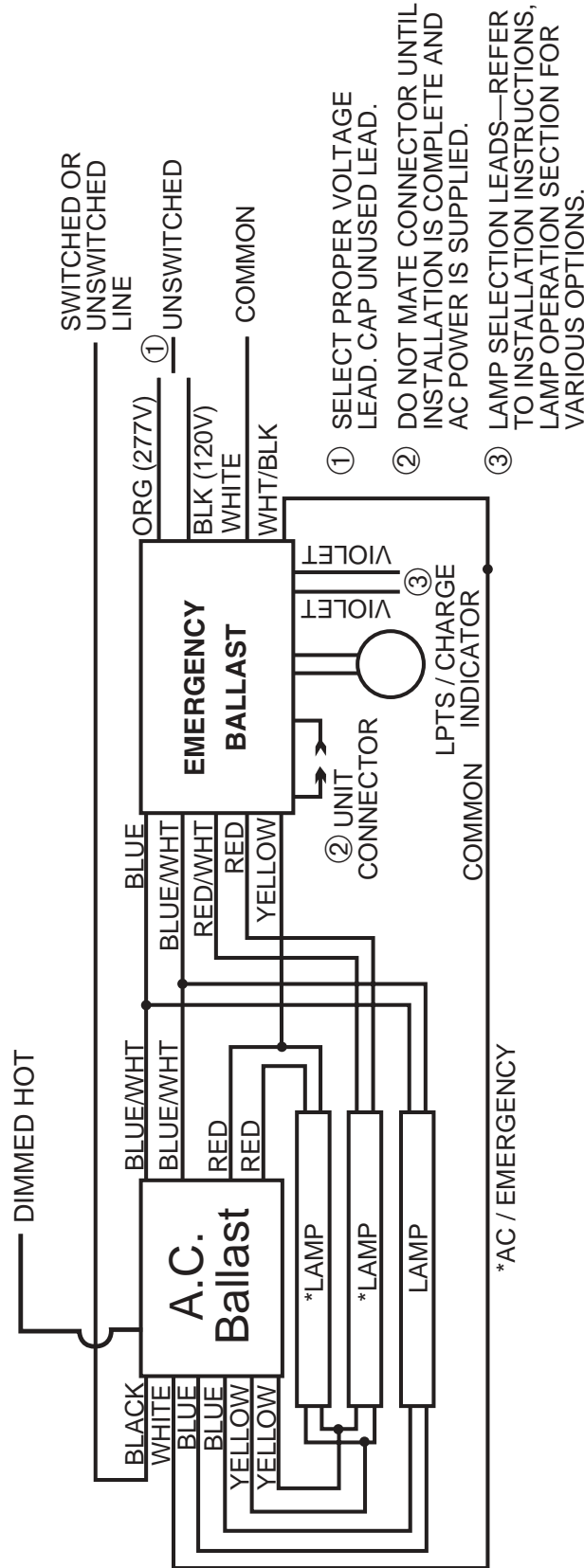
B4321120/277HP
B4321120/277RH

MOTOROLA

M4-IL-T8-GP-A-120/277
M4-IN-T8-A-120/277
M4-IN-T8-D-120/277
M4-IN-T8-GP-A-120/277

ALL COMPATIBLE BALLASTS MAY NOT BE LISTED.
*DIMMING CONTROL WIRES ARE NOT AFFECTED BY EM PACK

THREE LAMP RAPID START BALLAST WITH DIMMING LEAD TWO LAMP EMERGENCY OPERATION



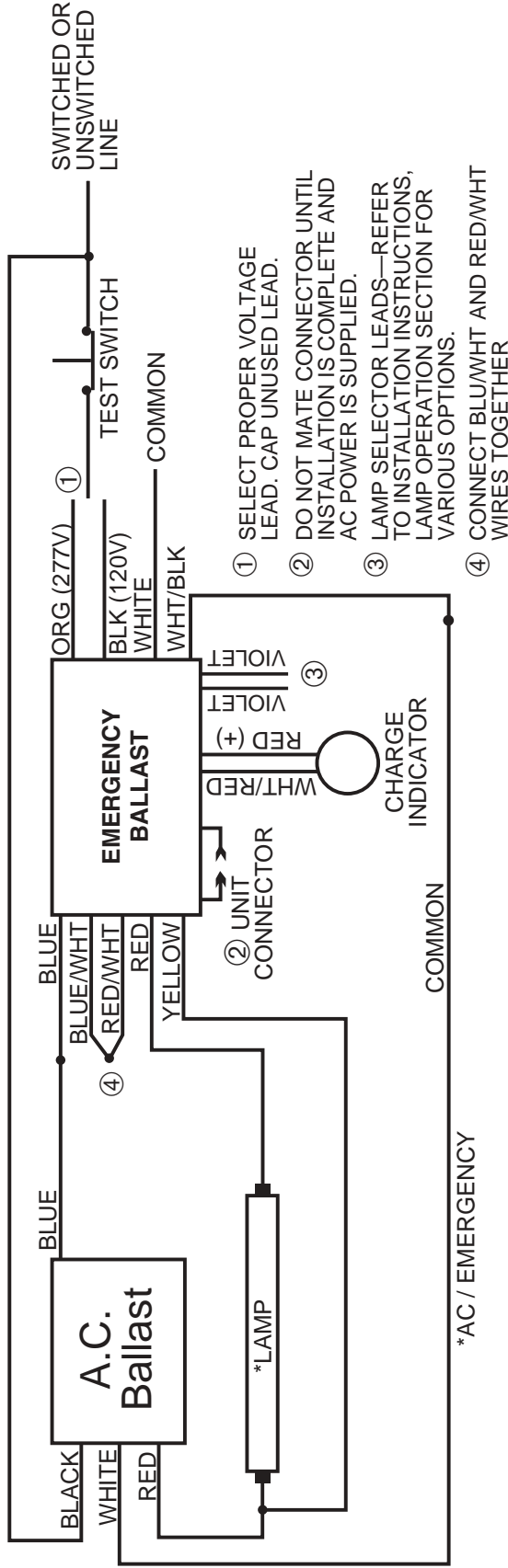
WITHOUT DIMMING LEAD REFER TO: YY19

ADVANCE
R/V-3S34-TP
RCN/VCN-3S32
RCN/VCN-3S40
REL/VEL-3S40-RH-TP
RIC/MIC-3S32-TP
RIC/MIC-3S40-TP
RK/VK-3S34-TP
RL-3SP20-TP
RZT/VZT-3S32*
REZ/VEZ-3S32*
EBT
SSB1-120/277-3/32 LH
SSB1-120/277-3/40 LH
GE
G3-RL-T8-1LL-120/277
G3-RN-T8-10C-120/277
G3-RN-T8-1LL-120/277
G3-RN-T12-1LL-120/277
LUTRON
ECO-T832-120/277-3*
FDB-4827-120/277-3*
MOTOROLA
M3-RL-T8-1LL-A-120/277
M3-RN-T12-1LL-B-120/277
M3-RN-T8-1LL-A-120/277

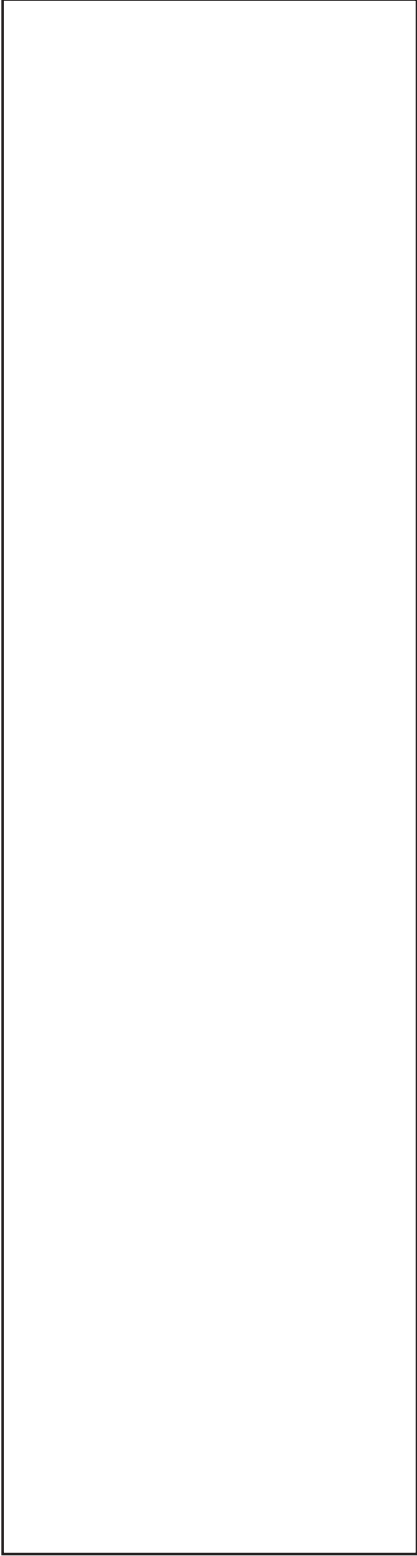
ALL COMPATIBLE BALLASTS MAY NOT BE LISTED.
*DIMMING CONTROL WIRES ARE NOT AFFECTED BY EM PACK

1LISB_CL_D

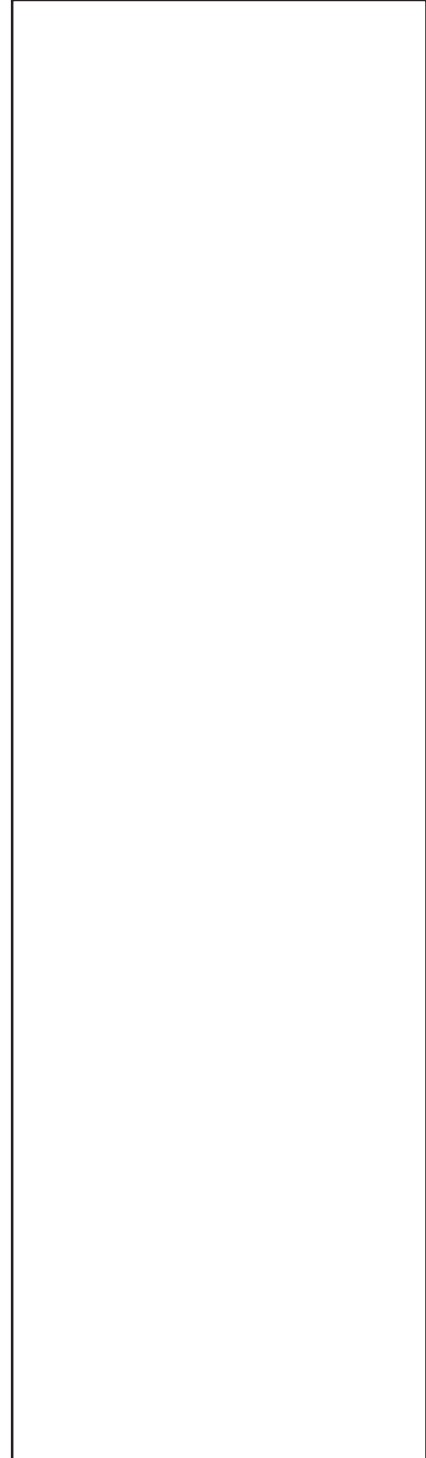
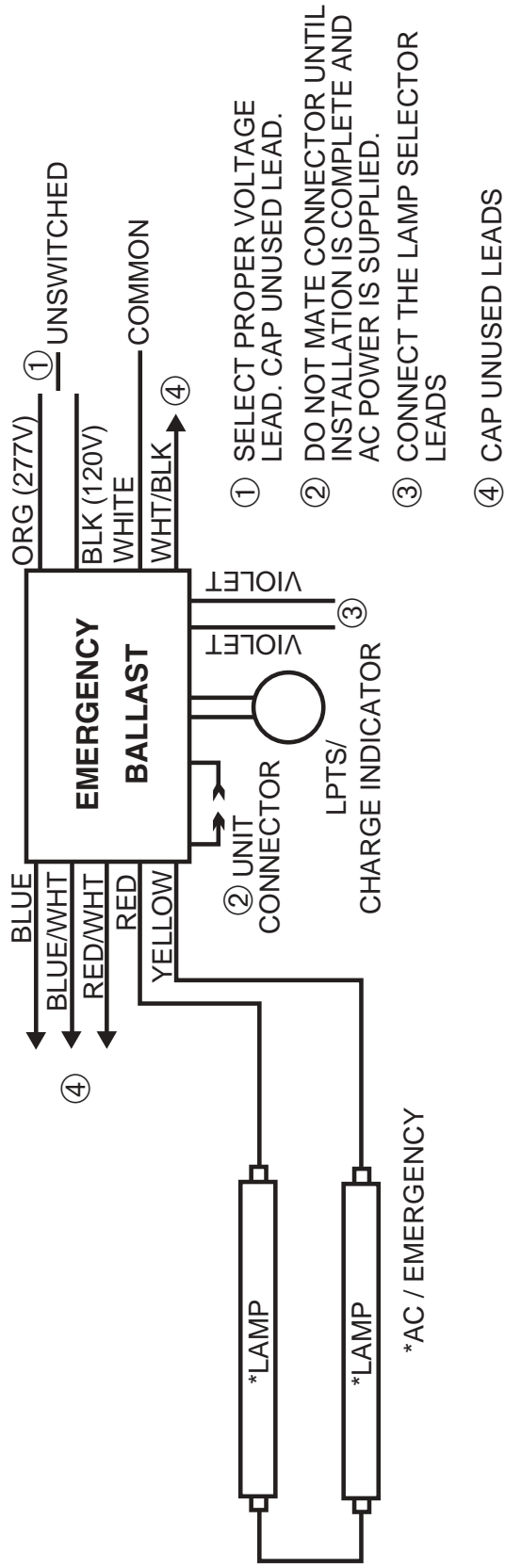
ONE LAMP INSTANT START BALLAST WITH CHARGE INDICATOR AND TEST SWITCH



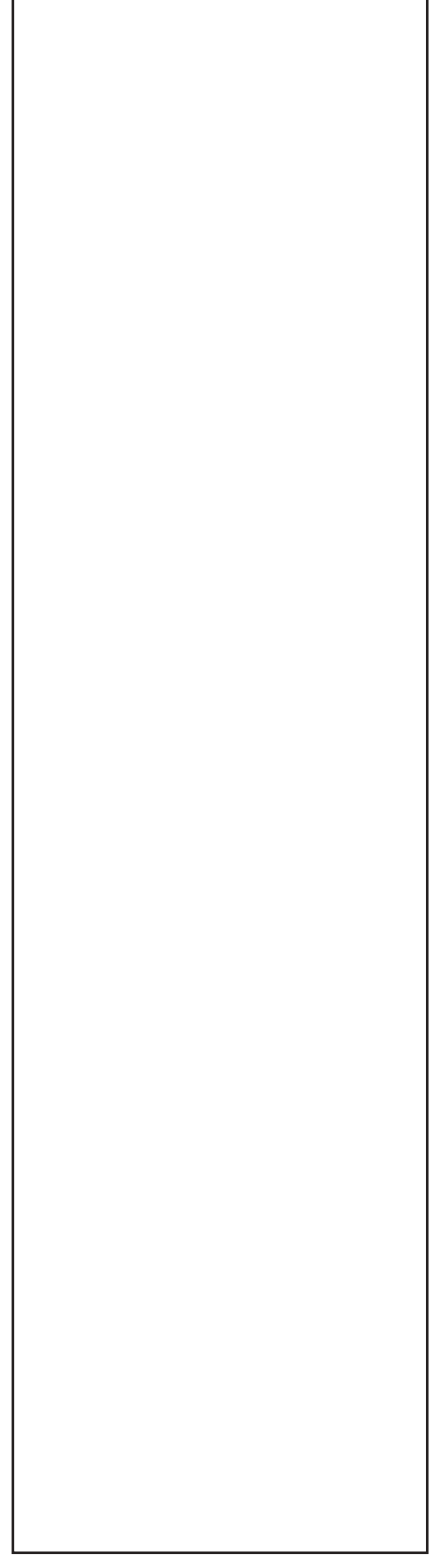
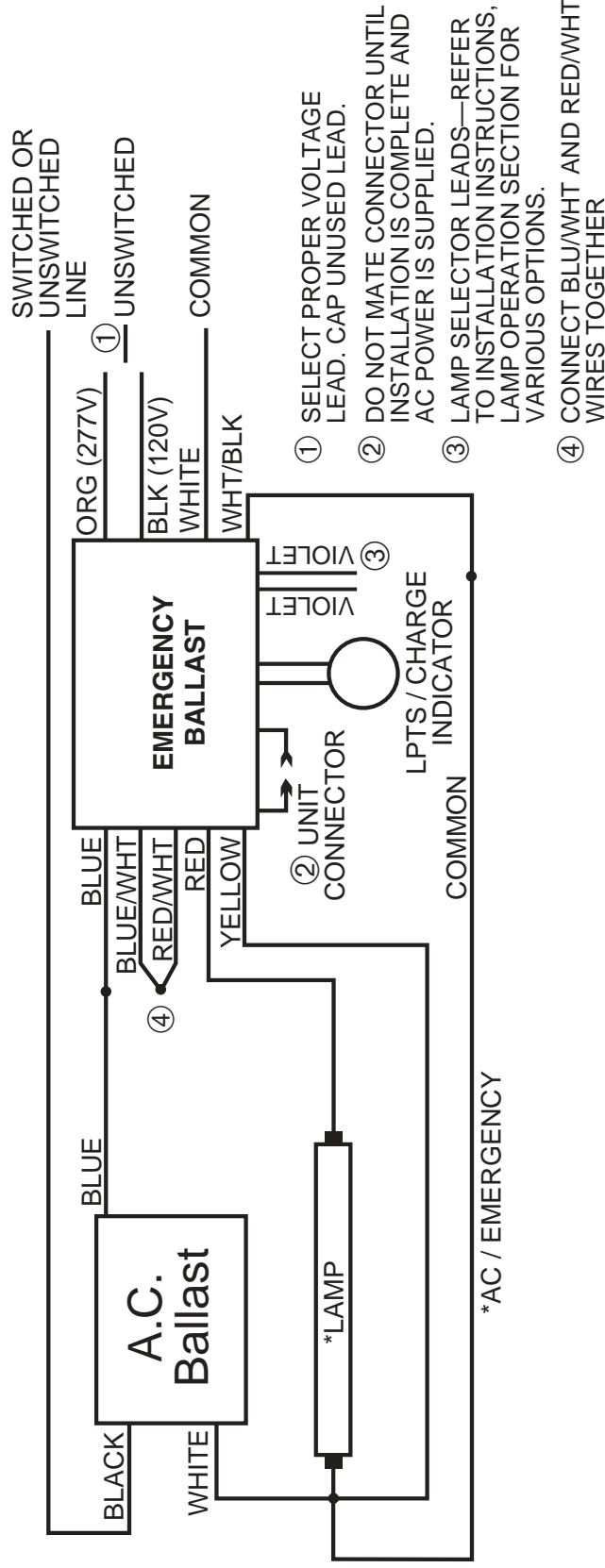
- ① SELECT PROPER VOLTAGE LEAD. CAP UNUSED LEAD.
- ② DO NOT MATE CONNECTOR UNTIL INSTALLATION IS COMPLETE AND AC POWER IS SUPPLIED.
- ③ LAMP SELECTOR LEADS—REFER TO INSTALLATION INSTRUCTIONS, LAMP OPERATION SECTION FOR VARIOUS OPTIONS.
- ④ CONNECT BLU/WHT AND RED/WHT WIRES TOGETHER



TWO LAMP EMERGENCY ONLY

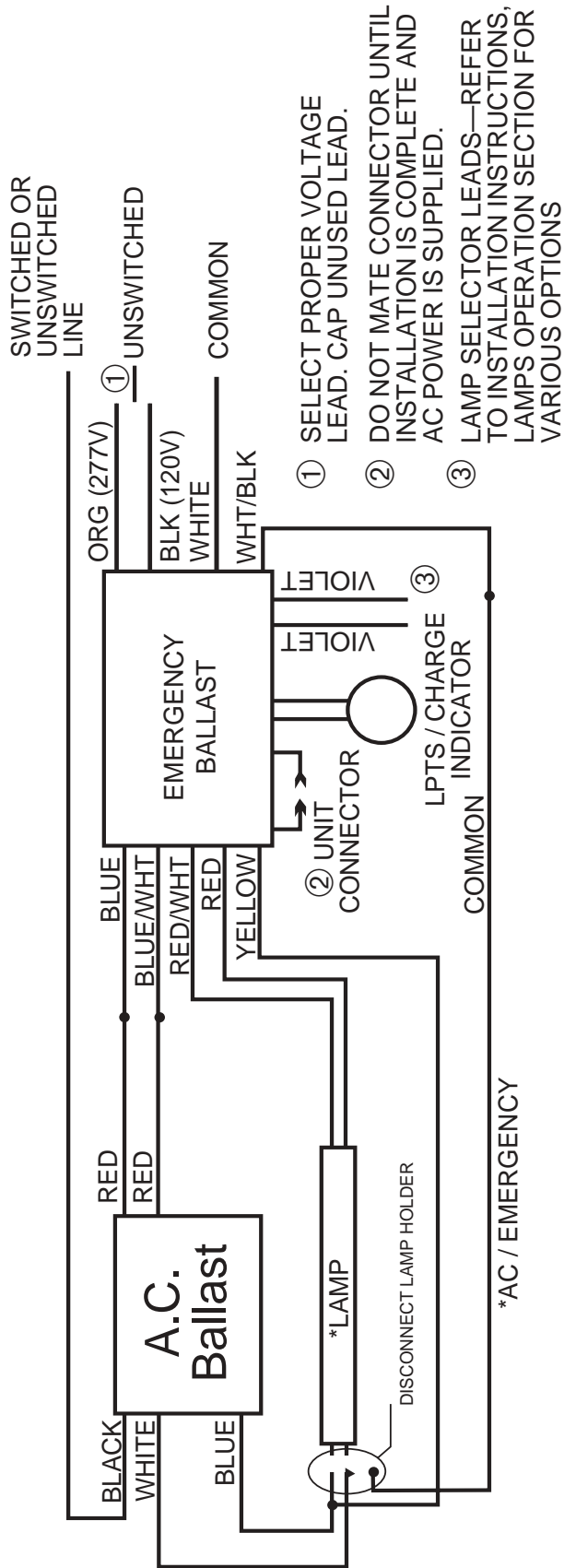


ONE LAMP INSTANT START BALLAST



1LLAG_D

ONE LAMP LAG BALLAST



ADVANCE

RL-140-TP

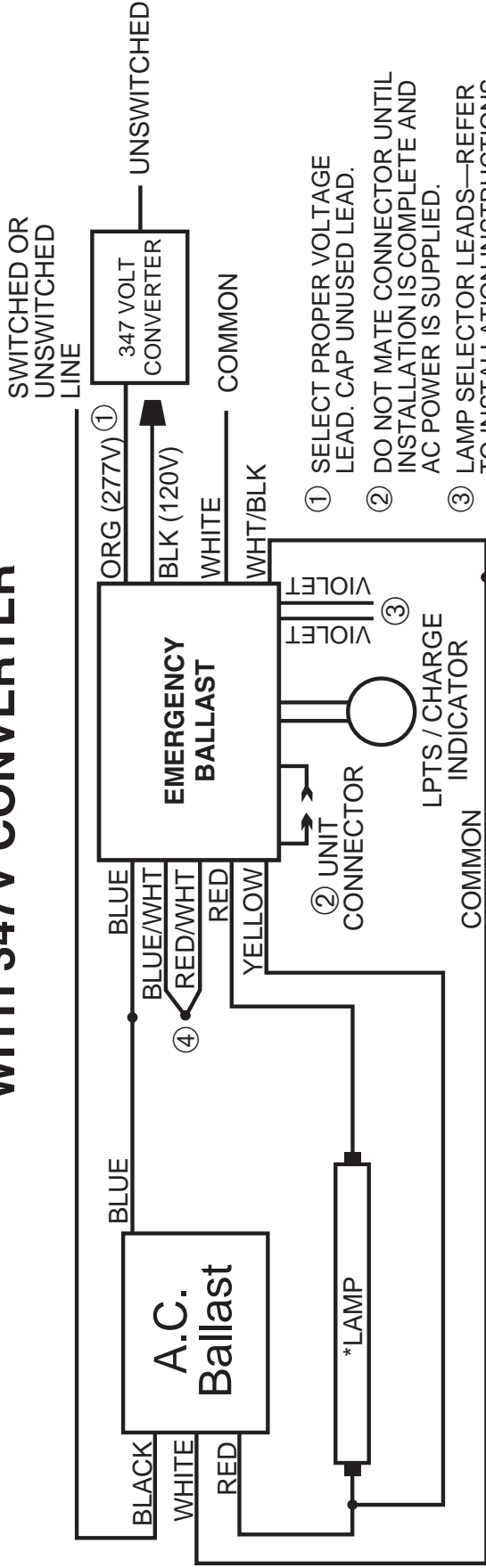
MAGNETEK

543-B

ALL COMPATIBLE BALLASTS MAY NOT BE LISTED.
*DIMMING CONTROL WIRES ARE NOT AFFECTED BY EM PACK

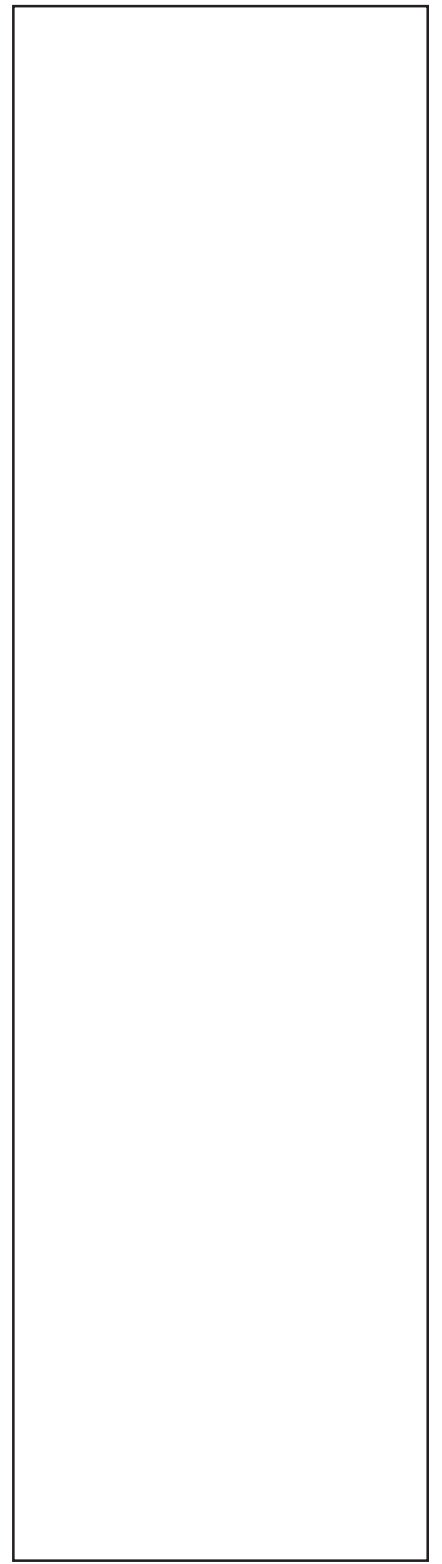
1LISB_347_D

ONE LAMP INSTANT START BALLAST WITH 347V CONVERTER



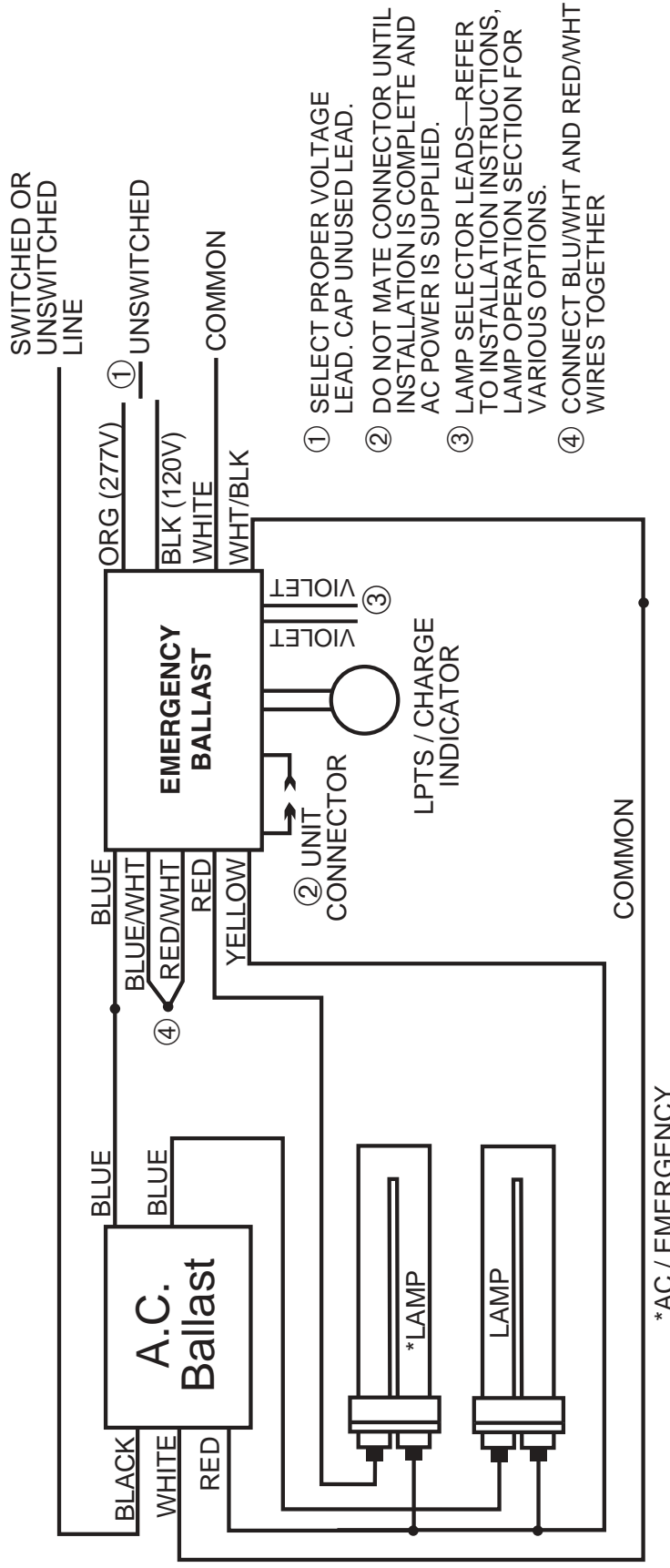
- ① SELECT PROPER VOLTAGE LEAD. CAP UNUSED LEAD.
- ② DO NOT MATE CONNECTOR UNTIL INSTALLATION IS COMPLETE AND AC POWER IS SUPPLIED.
- ③ LAMP SELECTOR LEADS—REFER TO INSTALLATION INSTRUCTIONS, LAMP OPERATION SECTION FOR VARIOUS OPTIONS.
- ④ CONNECT BLU/WHT AND RED/WHT WIRES TOGETHER

*AC / EMERGENCY



2LISBX_D

TWO BIAX LAMP INSTANT START BALLAST

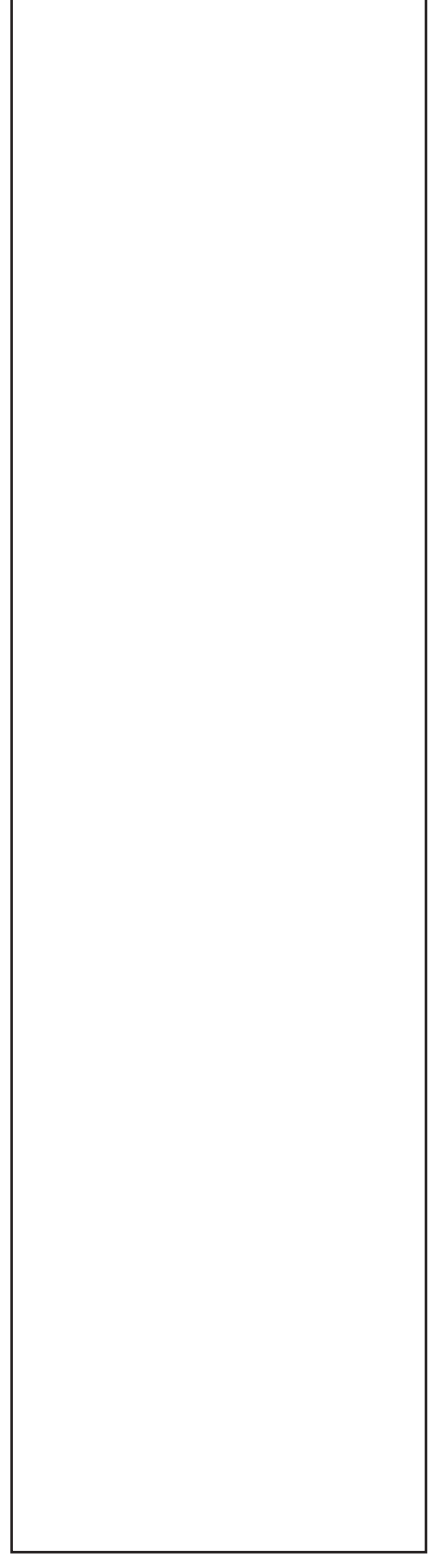
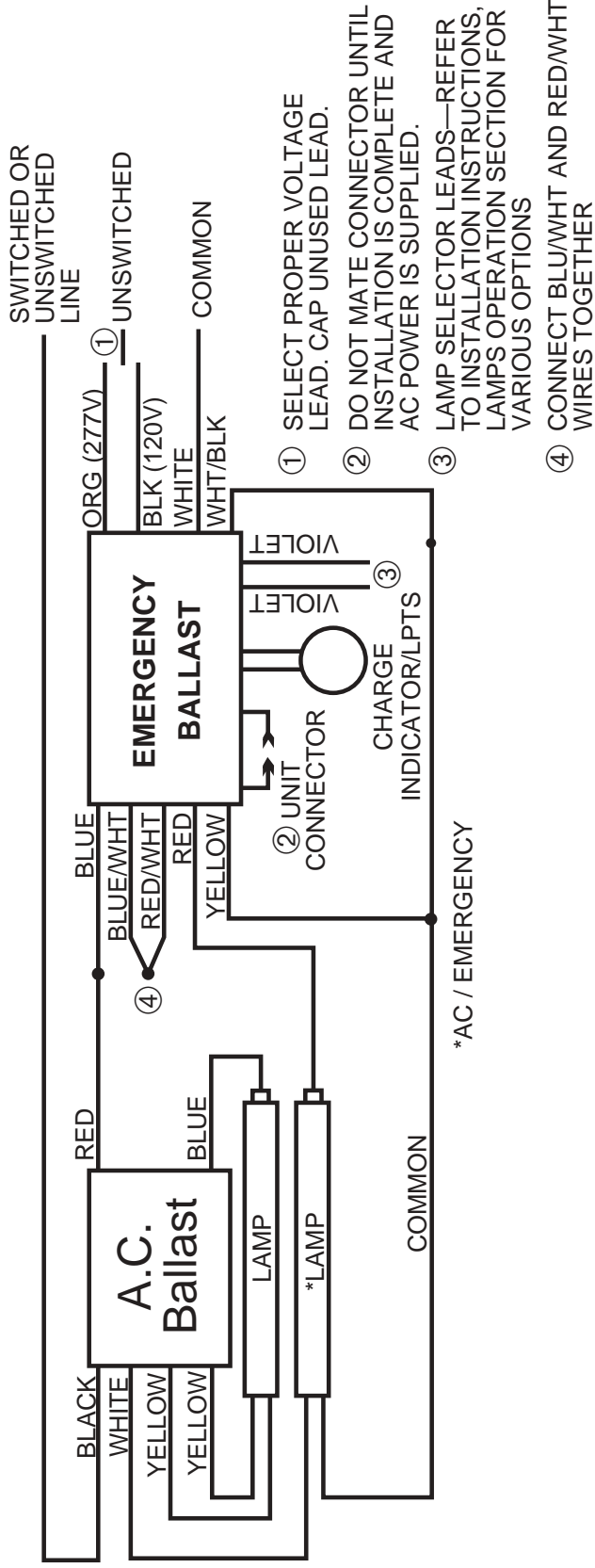


- ① SELECT PROPER VOLTAGE LEAD. CAP UNUSED LEAD.
- ② DO NOT MATE CONNECTOR UNTIL INSTALLATION IS COMPLETE AND AC POWER IS SUPPLIED.
- ③ LAMP SELECTOR LEADS—REFER TO INSTALLATION INSTRUCTIONS, LAMP OPERATION SECTION FOR VARIOUS OPTIONS.
- ④ CONNECT BLU/WHT AND RED/WHT WIRES TOGETHER

ADVANCE
RCN-2TTP40
MAGNETEK
B2321120/277HP
B2321120/277RH
MOTOROLA
M2-IL-T8-GP-120/277
M2-IN-T8-D-120/277
M2-IN-T8-1LL-D-120/277
M2-IN-T8-GP-120/277

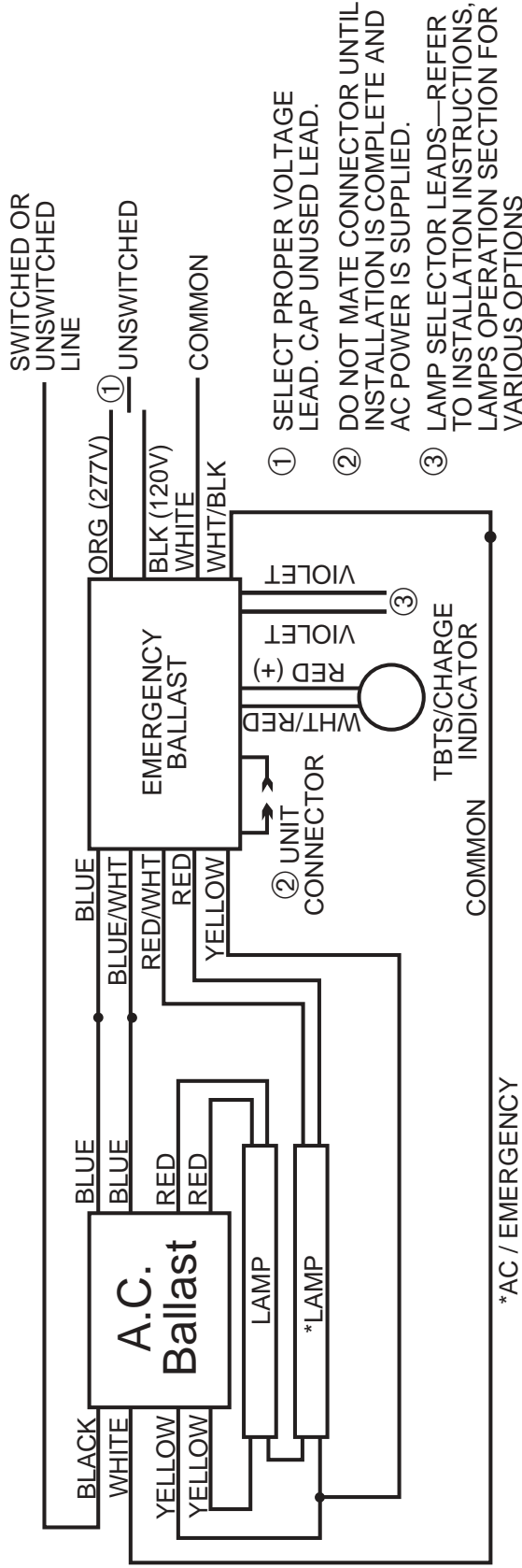
ALL COMPATIBLE BALLASTS MAY NOT BE LISTED.
 * DIMMING CONTROL WIRES ARE NOT AFFECTED BY EM PACK

TWO LAMP BALLAST



2LR5B_D_4

TWO LAMP RAPID START BALLAST



- ① SELECT PROPER VOLTAGE LEAD. CAP UNUSED LEAD.
- ② DO NOT MATE CONNECTOR UNTIL INSTALLATION IS COMPLETE AND AC POWER IS SUPPLIED.
- ③ LAMP SELECTOR LEADS—REFER TO INSTALLATION INSTRUCTIONS, LAMPS OPERATION SECTION FOR VARIOUS OPTIONS

